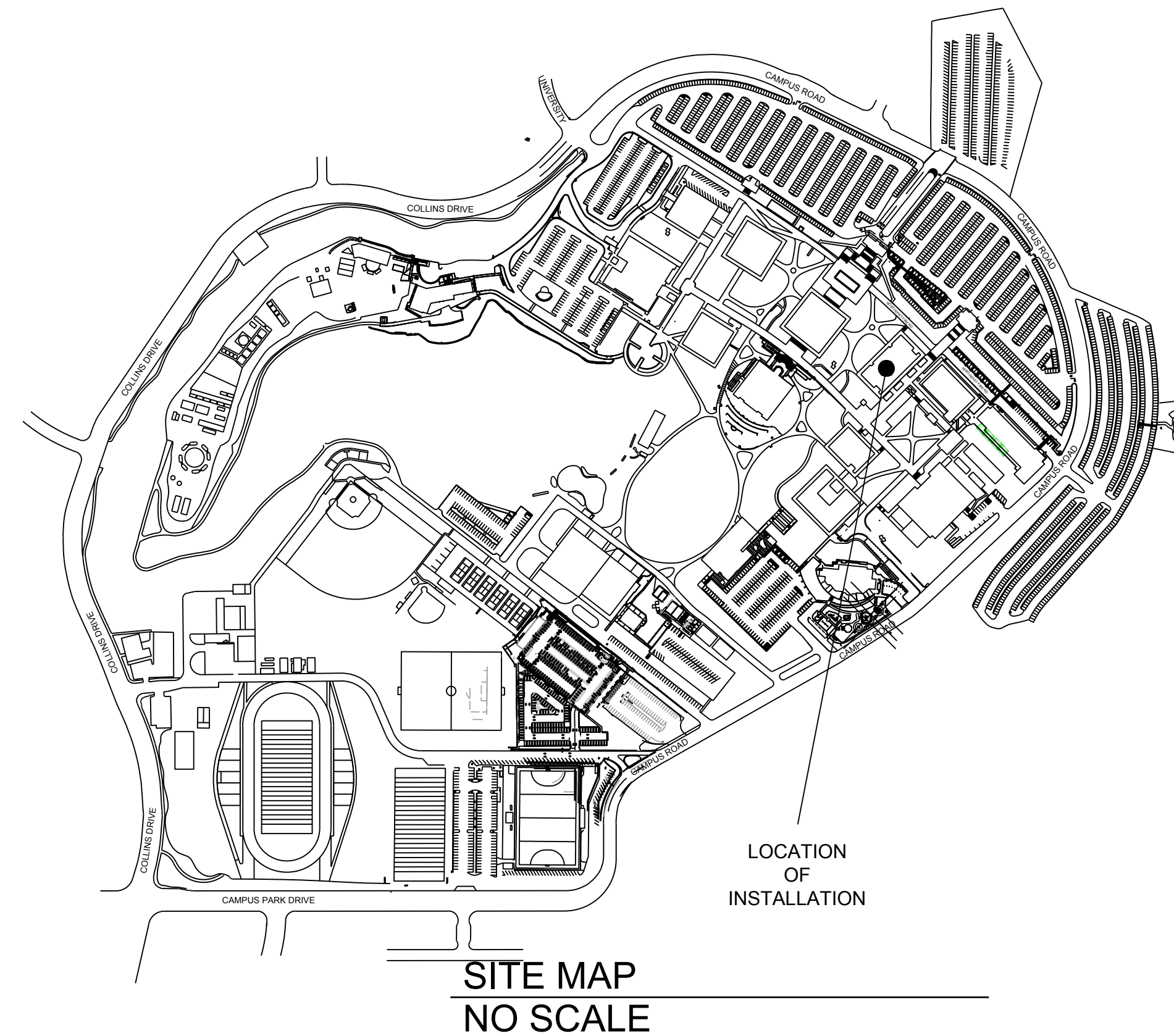
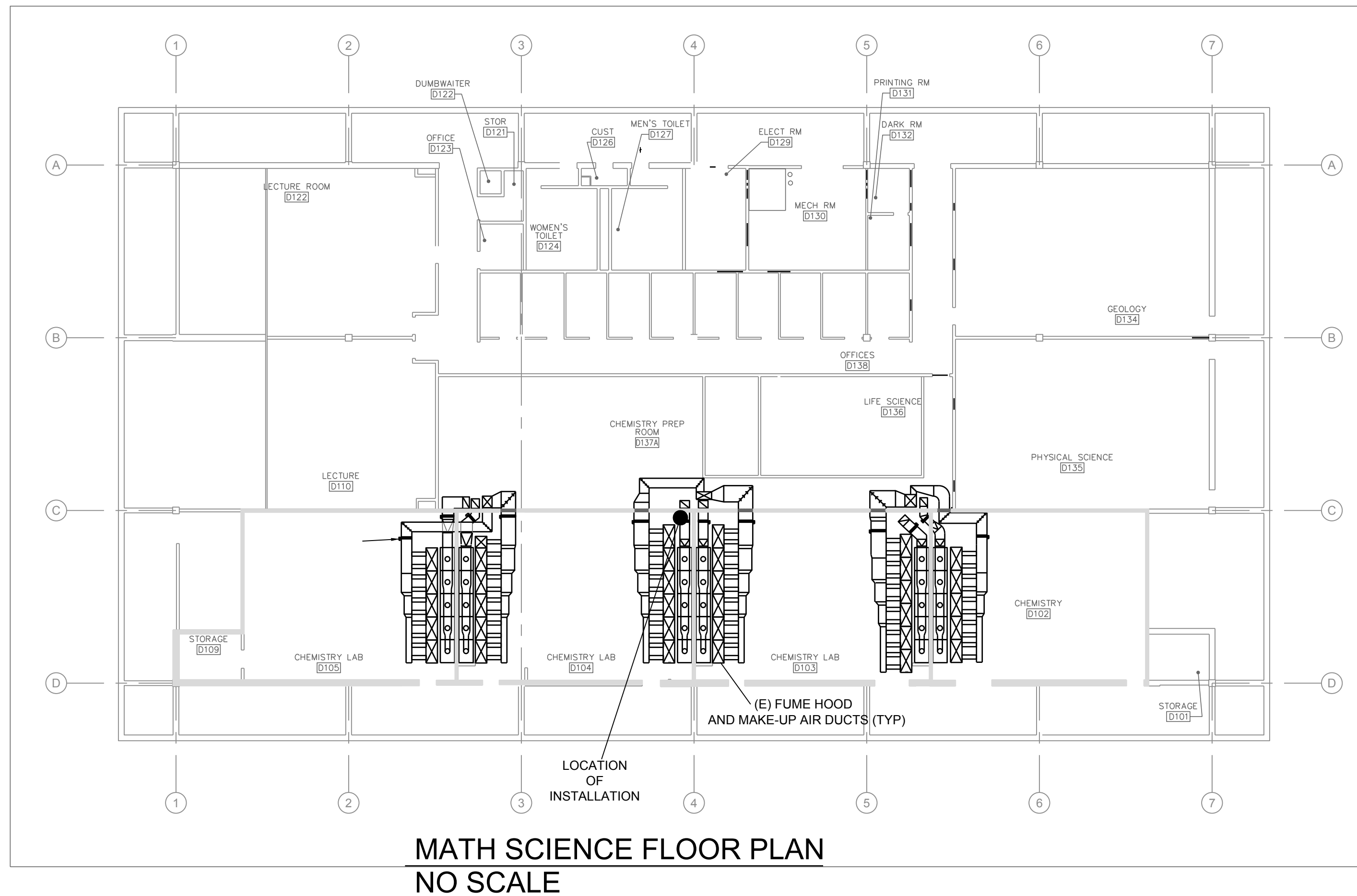


MOORPARK COLLEGE PHYSICAL SCIENCE BUILDING MASS SPECTROMETER INSTALLATION



SCOPE OF WORK

INSTALL OWNER PROVIDED MASS SPECTROMETER INCLUDING VARIOUS GAS PIPING PIPING SYSTEMS AND NEW FUME DUCTING. GAS CYLINDERS WILL BE PROVIDED BY A LOCAL PROVIDER ENGAGED BY MOORPARK COLLEGE

APPLICABLE CODES

LIST OF CALIFORNIA CODE OF REGULATIONS
APPLICABLE CODES AS OF JAN. 1ST, 2019
ALL WORK SHALL CONFORM TO 2016 EDITION TITLE 24, CALIFORNIA CODE OF REGULATIONS (CCR)
2016 BUILDING STANDARDS ADMINISTRATIVE CODE, PART 1, TITLE 24 CCR

2016 CALIFORNIA BUILDING CODE (CBC), PART 2, TITLE 24 CCR

2016 CALIFORNIA ELECTRIC CODE (CEC), PART 3, TITLE 24 CCR

2016 CALIFORNIA MECHANICAL CODE (CMC), PART 4, TITLE 24 CCR

2016 CALIFORNIA PLUMBING CODE (CPC), PART 5, TITLE 24 CCR

2016 CALIFORNIA FIRE CODE (CFC), PART 9, TITLE 24 CCR

2016 CALIFORNIA REFERENCED STANDARDS CODE (CRSC), PART 11, PART 12, TITLE 24 CCR

PARTIAL LIST OF APPLICABLE NFPA STANDARDS
NFPA 72 NATIONAL FIRE ALARM CODES, 2016 EDITION
NFPA 90A STANDARD FOR THE INSTALLATION OF AIR CONDITIONING SYSTEMS 2018 EDITION

CONSULTANT

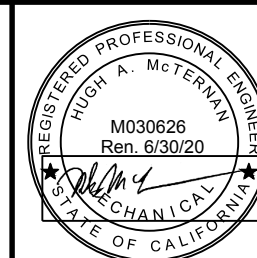
MECHANICAL ENGINEER AND ENGINEER OF RECORD
HUGH MCTERNAN
838 E. Front St. Ventura Ca. 93001
805 653-1722 hugh@aegroupme.com

SHEET LEGEND

T-1 TITLE SHEET
M-1 DETAIL SHEET

DRAWN BY HAM
CHECKED BY HAM/PW

AE Group
Mechanical Engineers, Inc.
838 East Front Street
Ventura, California 93001
(805) 653-1722 FAX: (805) 653-7260
email: cad@aegroupme.com



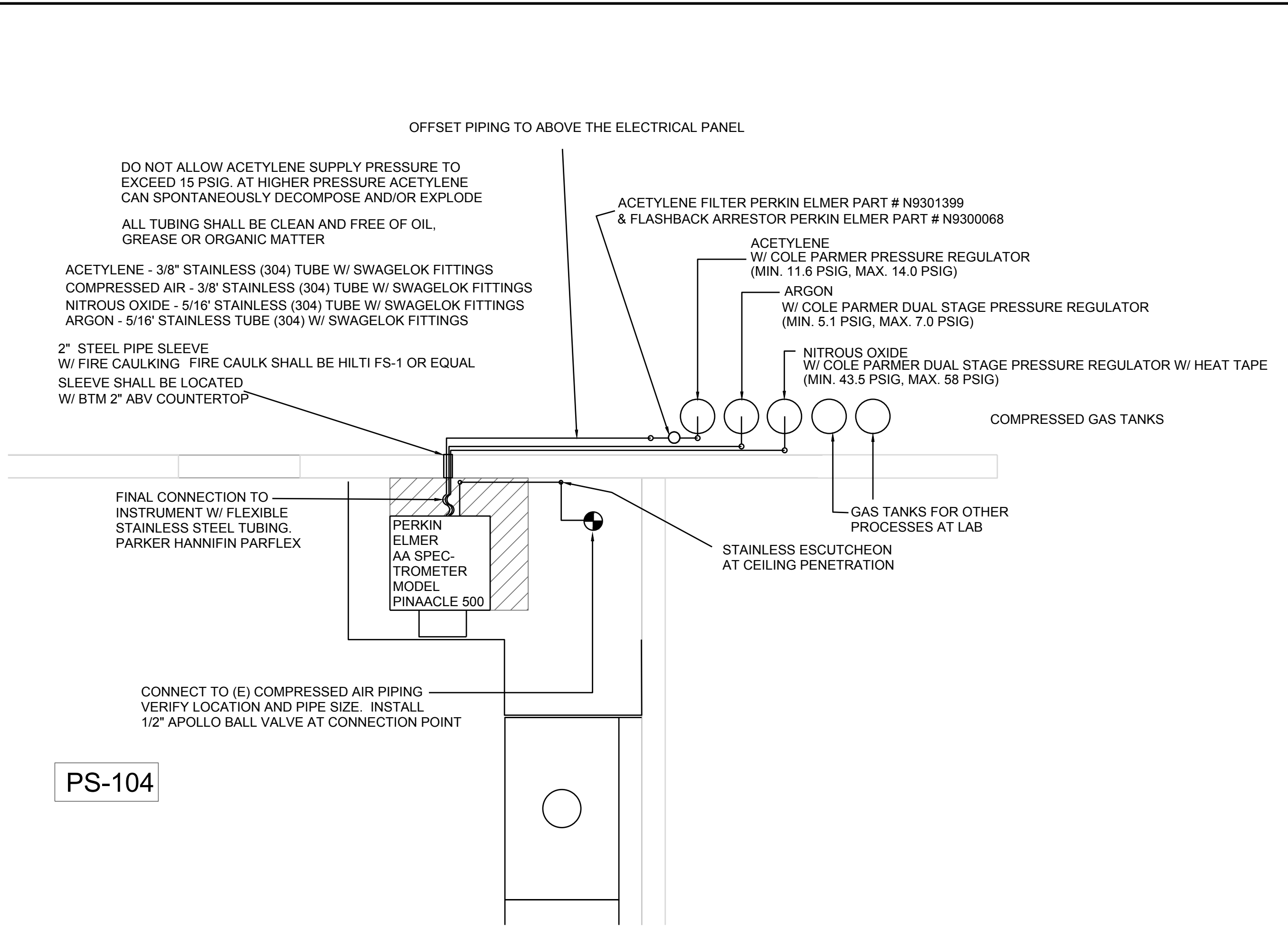
M O O R P A R K C O L L E G E
7 0 7 5 C A M P U S R O A D , M O O R P A R K , C A L I F O R N I A 9 3 0 2 1
V E N T U R A C O U N T Y C O M M U N I T Y C O L L E G E D I S T R I C T

DEPARTMENT OF
MAINTENANCE & OPERATIONS
7075 CAMPUS RD.
MOORPARK, CA. 93021
PHONE: (805) 378-1454 FAX: (805) 378-1593

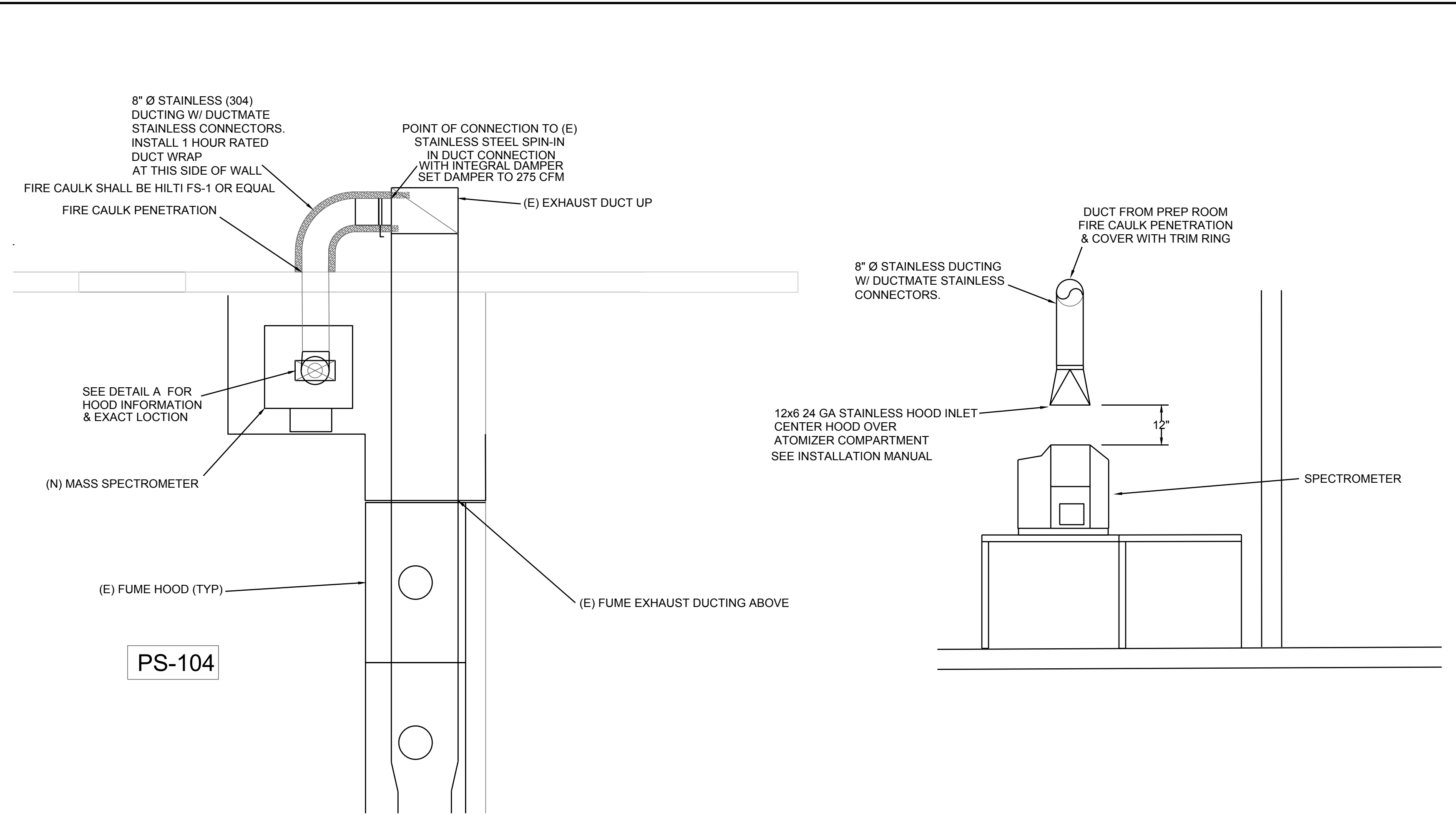
SCALE:
AS NOTED
DATE:
12/03/19
BLDG. NO.
PHYSICAL
SCIENCE

SHEET TITLE
TITLE SHEET
PROJECT MASS SPECTROMETER INSTALLATION

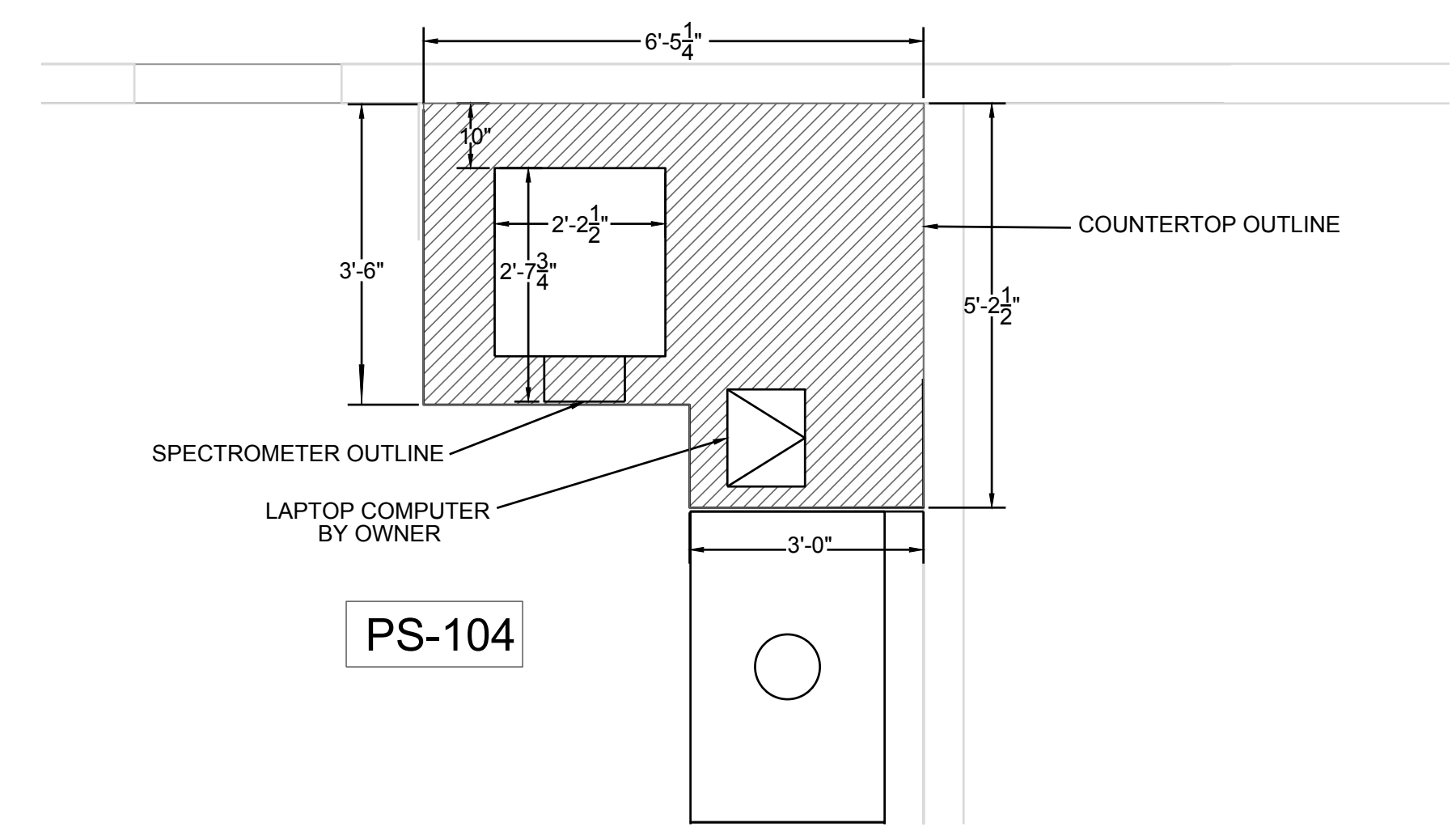
SHEET NO.
T1.0



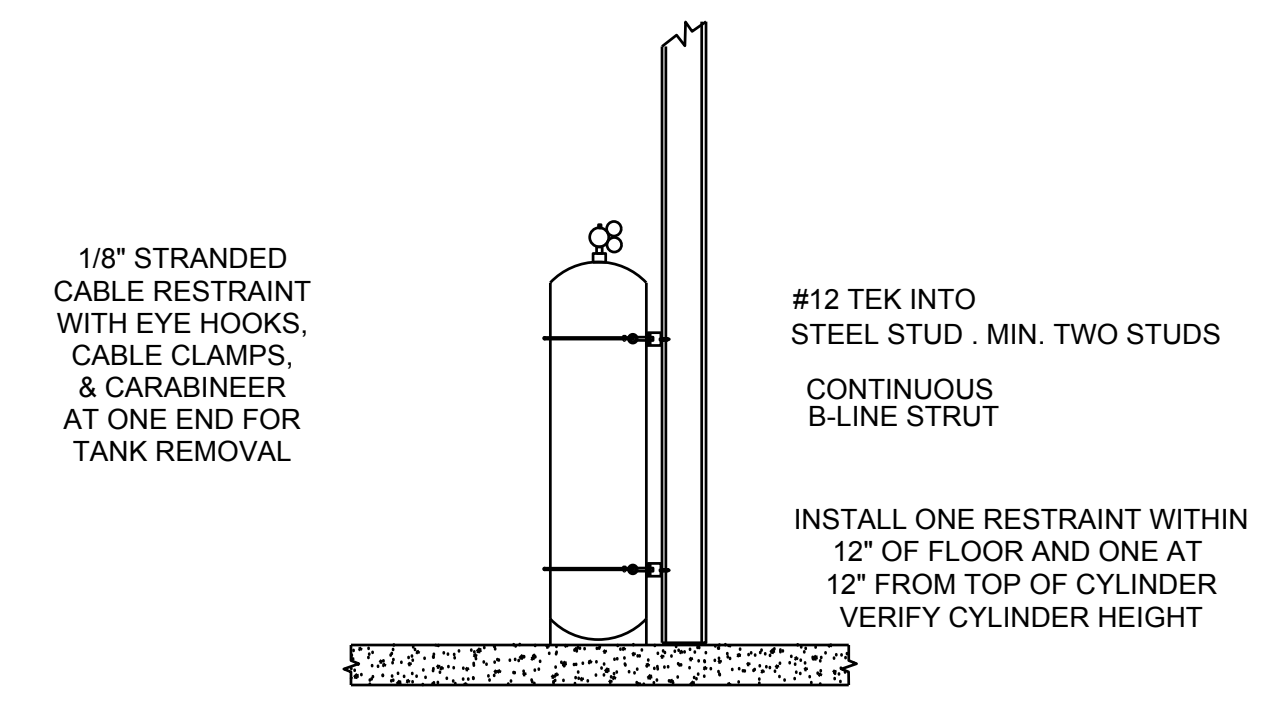
PIPING PLAN
SCALE: 1/2"=1'0"



DUCTING PLAN
SCALE: 1/2"=1'0"



COUNTERTOP LAYOUT
SCALE: 1/2"=1'0"



GAS CYLINDERS RESTRAINT
SCALE: 1/2"=1'0"