



Location Plan
2
 Vehicular Signage

PROJECT
 OXNARD COLLEGE
 Exterior Design

SCALE
 N/A

SALES REP
 Janell Prazak
 SIGN PLANNING
 Matthew Ahler
 Kristopher Milon

WO #

DATE APPROVED

APPROV. BY

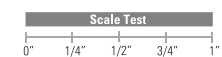
DATE
 04.05.19
 08.01.19
 08.27.19
 08.27.19

Design Rev
 Initial
 PLH
 PLH
 PLH
 PLH

Corporate Headquarters
 388 Grant Street SE
 Atlanta, GA 30312-2227
 Ph: 404.688.9000, Fax: 404.577.3847
 Email: sales@apcosigns.com



apcosigns.com





Fonts

Gotham Light

ABCDEFGHIJKLMNOPQRSTUVWXYZ
abcdefghijklmnopqrstuvwxyz 1 2 3 4 5 6 7 8 9 0

Gotham Book

ABCDEFGHIJKLMNOPQRSTUVWXYZ
abcdefghijklmnopqrstuvwxyz 1 2 3 4 5 6 7 8 9 0

Gotham Medium

ABCDEFGHIJKLMNOPQRSTUVWXYZ
abcdefghijklmnopqrstuvwxyz 1 2 3 4 5 6 7 8 9 0

Gotham Bold

ABCDEFGHIJKLMNOPQRSTUVWXYZ
abcdefghijklmnopqrstuvwxyz 1 2 3 4 5 6 7 8 9 0

Gotham Black

ABCDEFGHIJKLMNOPQRSTUVWXYZ
abcdefghijklmnopqrstuvwxyz 1 2 3 4 5 6 7 8 9 0

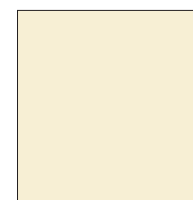
Signage Colors:



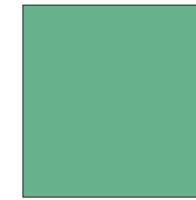
Primary Structure Color:
PMS 348 Green
Applications Used:
Paint
Digital Print with Clear Coat



Secondary Structure Color:
PMS 293 Blue
Applications Used:
Paint
Digital Print with Clear Coat



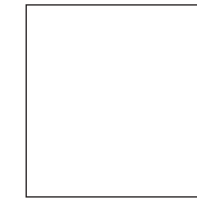
Full Logo & Panel Color:
Matthews MP02770
Fantan (Cream)
Applications Used:
Paint
Digital Print with Clear Coat



OC Logo Color:
Matthews MP00448
Greenward (light Green)
Applications Used:
Paint



Copy Color:
A02 Black
Applications Used:
Matte Vinyl Copy



Copy Color:
A01 White
Applications Used:
Matte Vinyl Copy

Logos & Symbols:



Full Oxnard Logo:

OXNARD COLLEGE



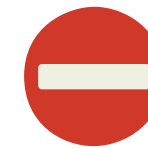
OC Oxnard Logo:



Arrow: A110



Accessible Symbol: (S03)



Do Not Enter Symbol: (S34)

Parking Lot Designators:



A69
American
Red
A01
White



A61
Raisin
A01
White



A52
Emerald
Green
A01
White



A81
Cinnamon
A01
White



A28
Orbit
Blue
A01
White



A80
Tangerine
A01
White



A11
Cobalt
Blue
A01
White



31
Grape
A01
White

Graphics Standards

PROJECT



Exterior Design

SCALE

SALES REP

Janell Prazak

SIGN PLANNING

Matthew Ahler

WO # 467009

Page 1 of 15

DATE APPROVED

APPROV. BY

DATE	DATE
04.05.19	
05.10.19	
06.24.19	
07.17.19	
08.02.19	
09.06.19	
10.09.19	

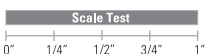
Design Rev

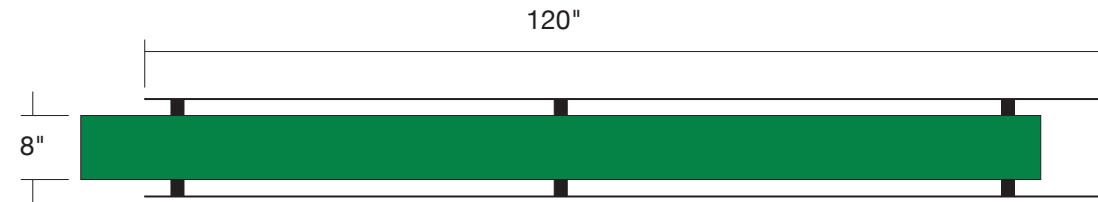
PLH Initial
PLH R1
PLH R2
PLH R3
PLH R4
PLH R5
NN R6

Corporate Headquarters
388 Grant Street SE
Atlanta, GA 30312-2227
Ph: 404.688.9000, Fax: 404.577.3847
Email: sales@apcosigns.com

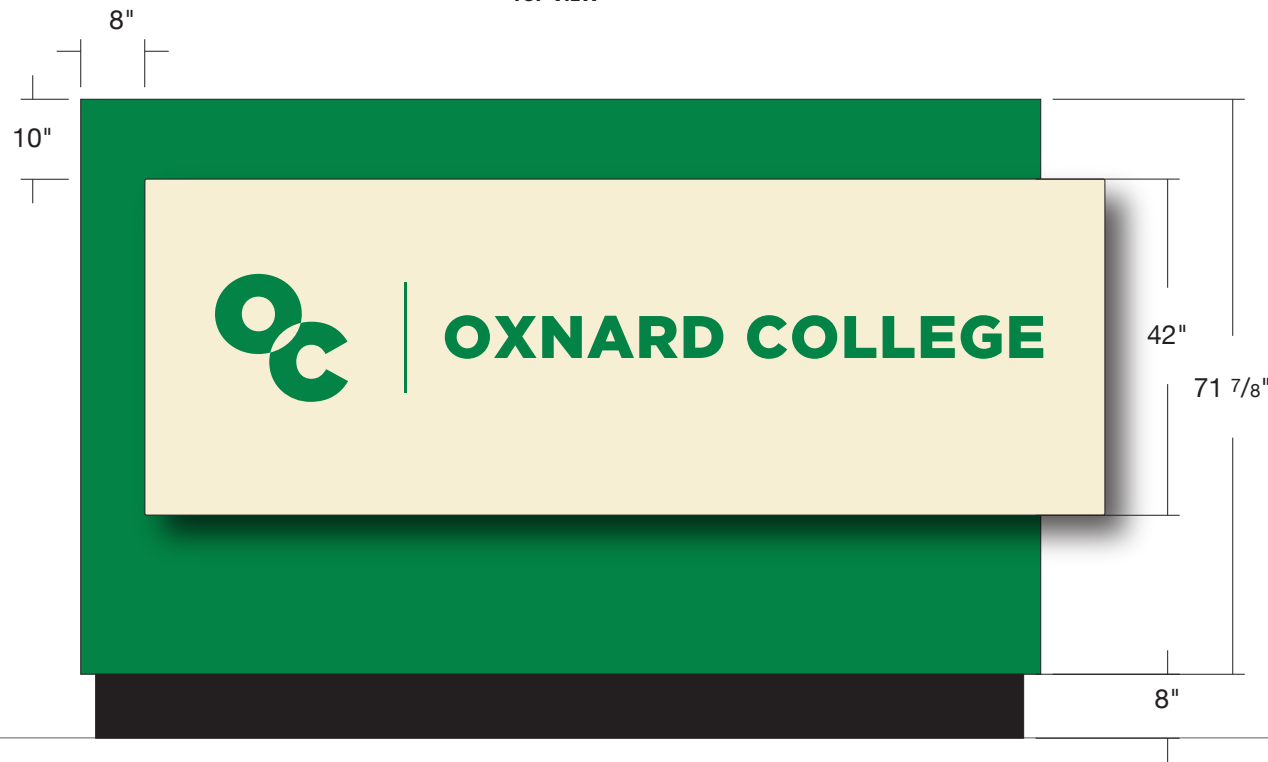


apcosigns.com



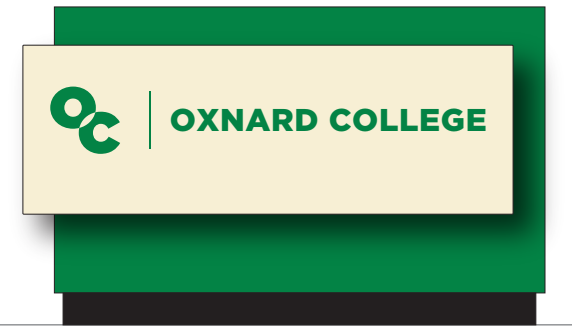


TOP VIEW

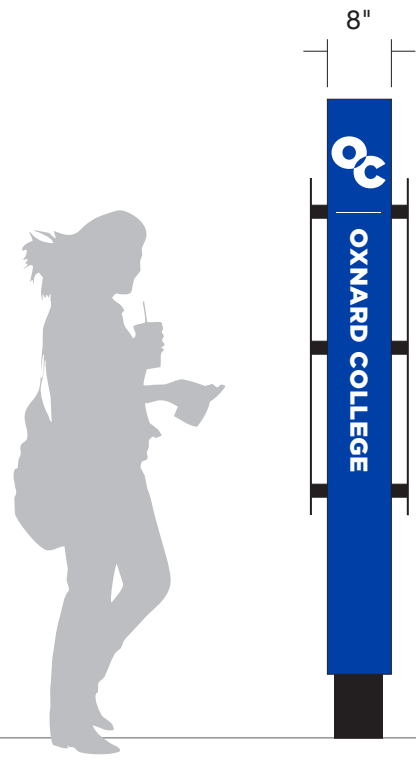


Side A

(Street Side)



Side B
Scale 1/4" = 1'-0"



Sign Type A

Campus Entrance ID
Locations VD03, VD19, VD16

Overall Size (with Panels): 79-7/8" x 128" x 12-1/4" deep

Mounting: Embedded Post Mount, Direct Burial
Refer to APCO Engineering Drawings for Construction & Installation Details.

Monolith Structure

Size with Base: 79-7/8" x 120" x 8" deep
Cabinet: 71"-7/8 x 122" x 8" deep
Color: Front, Back, Top Color: PMS 348 Green
Right & Left Side Color: PMS 293 Blue
Base Size: 8" high x 118" x 6" deep
Color: Anodized Black

Graphics: Side Logo Both Sides: Oxnard Logo (# TBD)
Size: 6 1/2" x (approx) 42 1/4"
Color: A01 White

Graphics Panel (qty 2)

Size: 42" x 120" x 1/8" Thick 6061 Aluminum Alloy Plate
1/4" Radius @ each Corner

Panel Color: Matthews MP02770 Fantan (Cream)

Graphics:
Logo: Oxnard Logo (# TBD)
Size: 16" x (approx.) 104"
Color: PMS 348 Green

Panel Mounting: 2" deep x 1 5/8" x 1 5/8" Tamper Resistant
Locking Stand Off Attachments (per engineering details)

Stand Off Color: Black
Quantity: 8 per Panel

SIGN TYPE

A
Campus
Entrance ID

PROJECT

OXNARD COLLEGE

Exterior Design

SCALE

1/2"=1'-0"

SALES REP

Janell Prazak

SIGN PLANNING

Matthew Ahler

WO # 467009

page 2 of 15

DATE APPROVED

APPROV. BY

DATE	04.05.19	05.10.19	06.24.19	07.17.19	08.02.19	09.06.19	10.09.19
------	----------	----------	----------	----------	----------	----------	----------

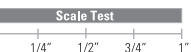
Design Rev

PLH Initial
PLH R1
PLH R2
PLH R3
PLH R4
PLH R5
NN R6

Corporate Headquarters
388 Grant Street SE
Atlanta, GA 30312-2227
Ph: 404.688.9000, Fax: 404.577.3847
Email: sales@apcosigns.com



apcosigns.com



Sign Type B1

Primary Vehicular Directional

Overall Size (with Panels): 108" x 63-3/4" x 10-1/4" deep

Mounting: Embedded Post Mount, Direct Burial
Refer to APCO Engineering Drawings for Construction & Installation Details.

Monolith Structure

Size with Base: 108" x 56" x 6" deep

Cabinet: 102" x 56" x 6" deep

Color: Front, Back, Top Color: PMS 348 Green
Right & Left Side Color: PMS 293 Blue

Base Size: 6" high x 53" x 4" deep

Color: Anodized Black

Graphics: Front & Back: Oxnard Logo (# TBD)

Size: 7" x (approx.) 45"

Color: A01 White

Side Logo Both Sides: Oxnard Logo (# TBD)

Size: 5 1/2" x (approx) 36"

Color: A01 White

Graphics Panel (qty 2)

Size: 82" x 56" x 1/8" Thick 6061 Aluminum Alloy Plate
1/4" Radius @ each Corner

Panel Color: Matthews MP02770 Fantan (Cream)

Graphics:

Arrow: A110

Size: 3 1/2"

Copy: Gotham Book & Gotham Bold

Size: 2 3/4"

Color: 3M Black Vinyl

Lot Logo #: A= (TBD)

B= (TBD)

C= (TBD)

D= (TBD)

E= (TBD)

F= (TBD)

G= (TBD)

H= (TBD)

Size: 4 1/4"

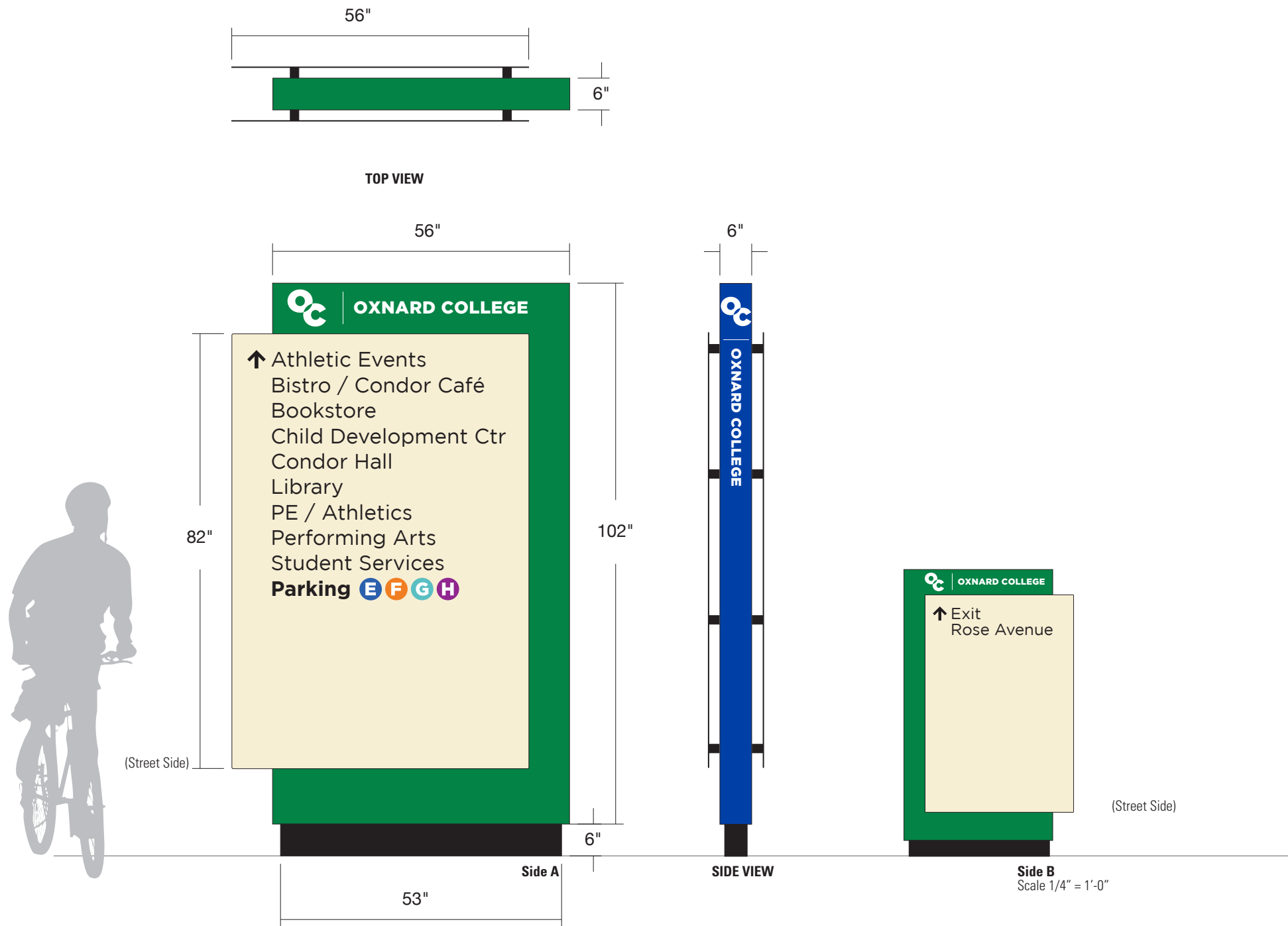
Colors: See page 1 for specifications

Panel Mounting: 2" deep x 1 5/8" x 1 5/8" Tamper Resistant

Locking Stand Off Attachments (per engineering details)

Stand Off Color: Black

Quantity: 6 per Panel



SIGN TYPE

B1

Primary Vehicular Directional (2 sided)

PROJECT



Exterior Design

SCALE

1/2"=1'-0"

SALES REP

Janell Prazak

SIGN PLANNING

Matthew Ahler

WO # 467009

page 3 of 15

DATE APPROVED

APPROV. BY

DATE	DATE
04.05.19	04.05.19
05.10.19	05.10.19
06.24.19	06.24.19
07.17.19	07.17.19
08.02.19	08.02.19
09.06.19	09.06.19
10.09.19	10.09.19

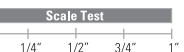
Design Rev

Design Rev	Initial
PLH	Initial
PLH	R1
PLH	R2
PLH	R3
PLH	R4
PLH	R5
NN	R6

Corporate Headquarters
388 Grant Street SE
Atlanta, GA 30312-2227
Ph: 404.988.9000, Fax: 404.577.3847
Email: sales@apcosigns.com



apcosigns.com



SIGN TYPE

B1
Primary Vehicular
Directional
(2 sided)

PROJECT



Exterior Design

SCALE

1/2"=1'-0"

SALES REP

Janell Prazak

SIGN PLANNING

Matthew Ahler

WO # 467009

page 4 of 15

DATE APPROVED

APPROV. BY

DATE	04.05.19	05.10.19	06.24.19	07.17.19	08.02.19	09.06.19	10.09.19

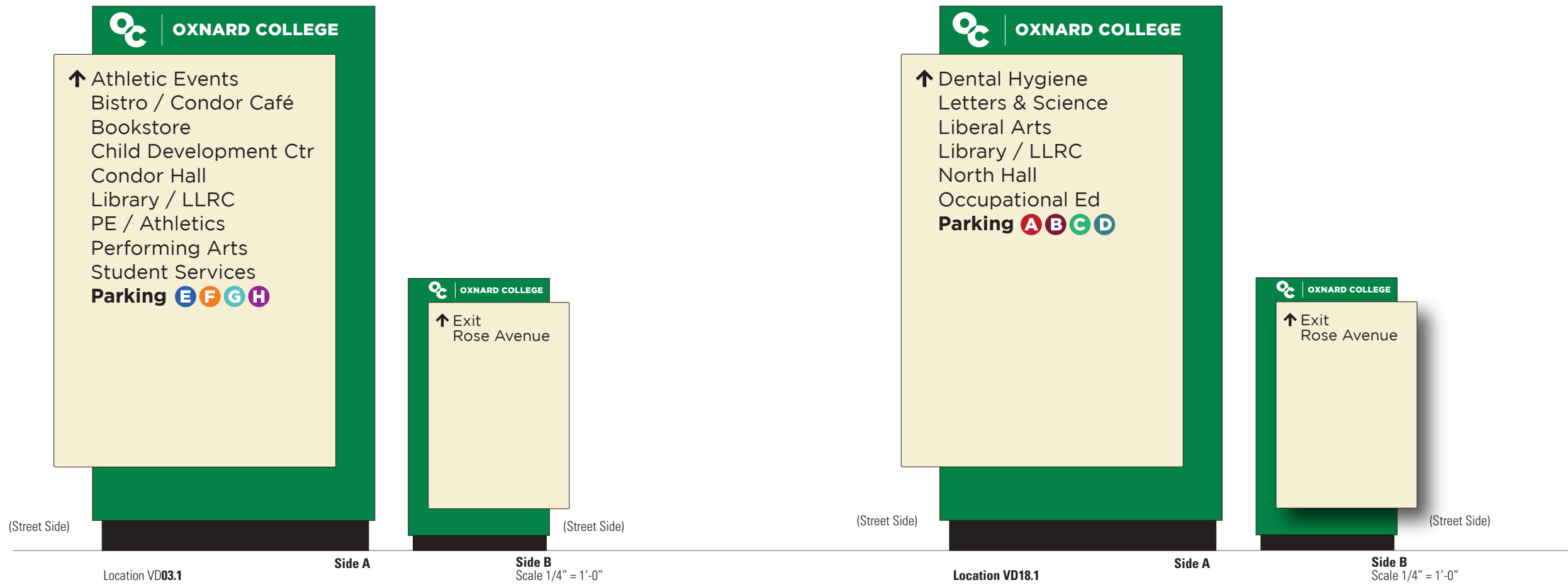
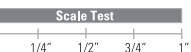
Design Rev

PLH Initial
PLH R1
PLH R2
PLH R3
PLH R4
PLH R5
NN R6

Corporate Headquarters
388 Grant Street SE
Atlanta, GA 30312-2227
Ph: 404.688.9000, Fax: 404.577.3847
Email: sales@apcosigns.com



apcosigns.com



Sign Type B2
4 Sided Vehicular Directional

Overall Size (with Panels): 108" x 71-1/2" x 65-7/8" deep

Mounting: Surface Mount with Mechanical Fasteners
Refer to APCO Engineering Drawings for Construction & Installation Details.

Monolith Structure

Size with Base: 108" x 56" x 56" deep

Cabinet: 102" x 56" x 56" deep
Color: PMS 348 Green

Base Size: 6" high x 53" x 53" deep
Color: Anodized Black

Graphics: Oxnard Logo (# TBD)
Size: 7" x 45" (approx.)
Color: A01 White

Graphics Panel (qty 3)

Size: 82" x 56" x 1/8" Thick 6061 Aluminum Alloy Plate
1/4" Radius @ each Corner

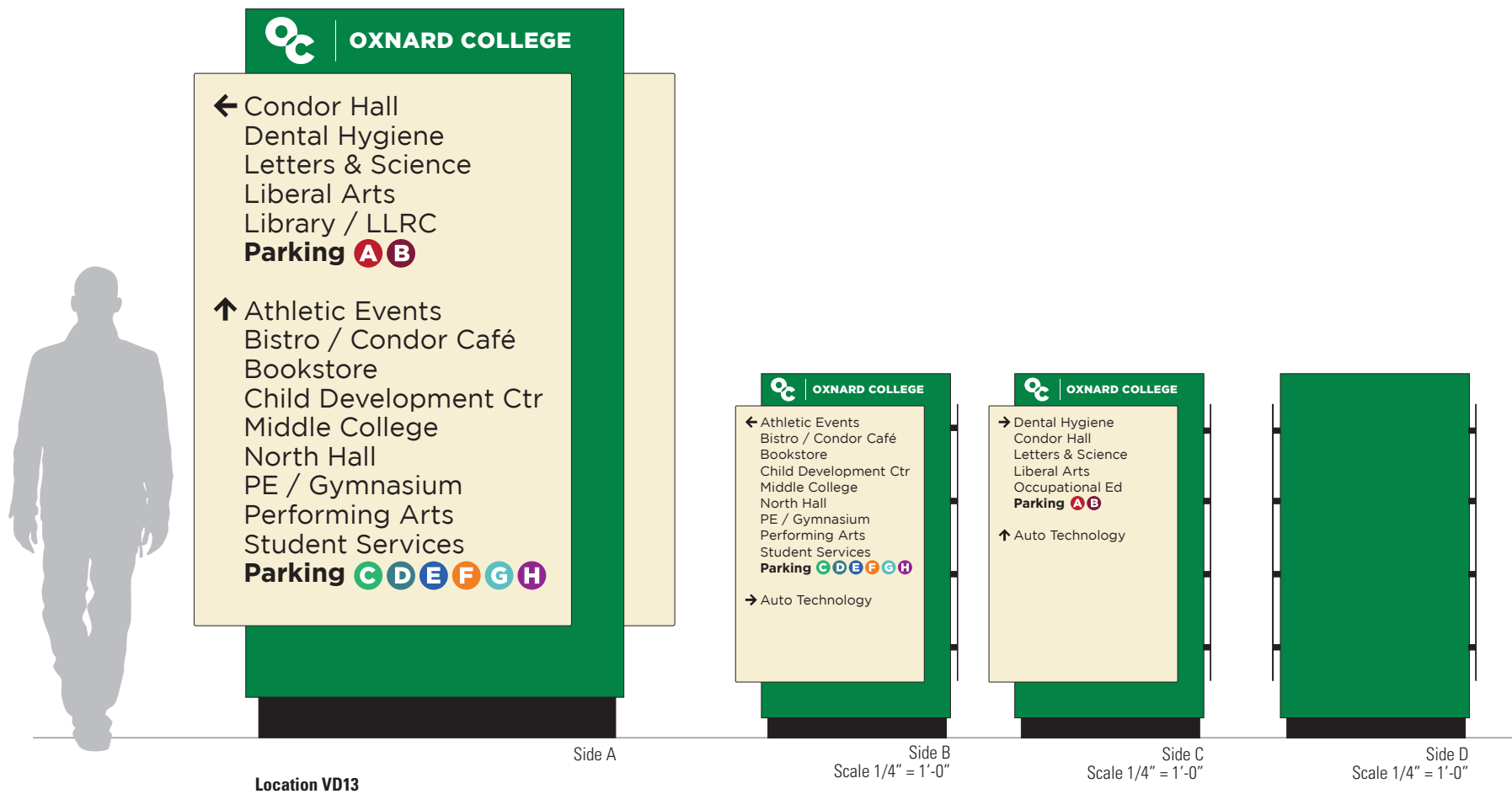
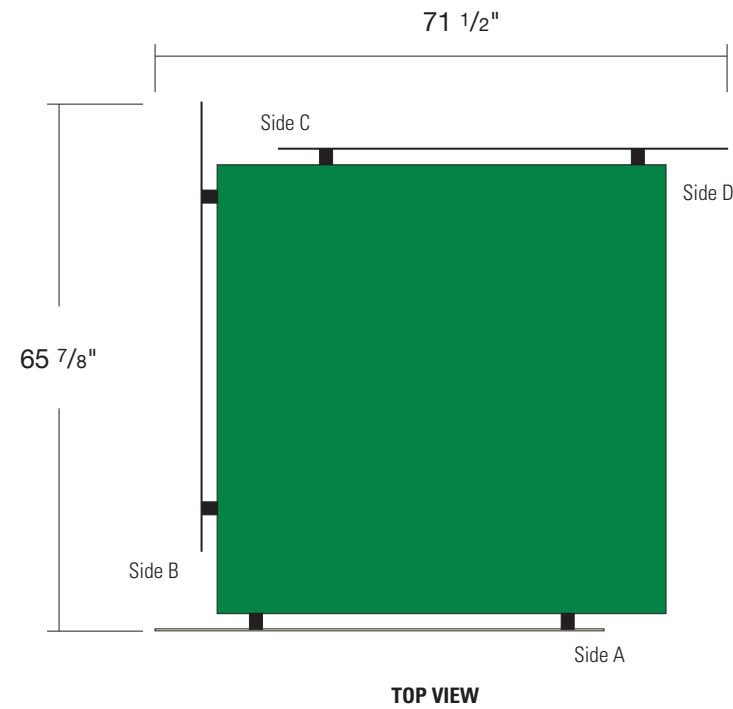
Panel Color: Matthews MP02770 Fantan (Cream)

Graphics:
Arrow: A110
Size: 3 1/2"
Copy: Gotham Book & Gotham Bold
Size: 2 3/4"
Color: 3M Black Vinyl

Lot Logo #: A= (TBD)
B= (TBD)
C= (TBD)
D= (TBD)
E= (TBD)
F= (TBD)
G= (TBD)
H= (TBD)
Size: 4 1/4"
Colors: See page 1 for specifications

Panel Mounting: 2" deep x 1 5/8" x 1 5/8" Tamper Resistant
Locking Stand Off Attachments (per engineering details)

Stand Off Color: Black
Quantity: 6 per Panel



SIGN TYPE

B2
4 Sided
Vehicular
Directional

PROJECT



Exterior Design

SCALE

1/2"=1'-0"

SALES REP

Janell Prazak

SIGN PLANNING

Matthew Ahler

WO # 467009

page 5 of 15

DATE APPROVED

APPROV. BY

DATE	DATE
04.05.19	04.05.19
05.10.19	05.10.19
06.24.19	06.24.19
07.17.19	07.17.19
08.02.19	08.02.19
09.06.19	09.06.19
10.09.19	10.09.19

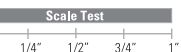
Design Rev

PLH Initial	PLH R1	PLH R2	PLH R3	PLH R4	PLH R5	NN R6
-------------	--------	--------	--------	--------	--------	-------

Corporate Headquarters
388 Grant Street SE
Atlanta, GA 30312-2227
Ph: 404.988.9000, Fax: 404.577.3847
Email: sales@apcosigns.com



apcosigns.com



Sign Type C1,C2,C3

Primary Parking Lot Identifier
(See pages 6 & 7 for each location / message)

Overall Size (with seal & Panels): 84" x 47-3/4" x 10-1/4" deep

Mounting: Embedded Post Mount, Direct Burial
Refer to APCO Engineering Drawings for Construction & Installation Details.

Monolith Structure

Size with Base: 84" x 42" x 6" deep

Cabinet: 78" x 42" x 6" deep
Color: Front, Back, Top Color: PMS 348 Green
Right & Left Side Color: PMS 293 Blue

Base Size: 6" x 40" x 4" Deep
Color: Anodized Black

Graphics: Front & Back: Oxnard Logo (# TBD)
Size: 5" x (approx.) 32 1/2"
Color: A01 White

Side Logo Size: 5 1/2" x (approx) 36"
Color: A01 White

Graphic Panel

Size: 63 1/2" x 42" x 1/8" Thick 6061 Aluminum Alloy Plate
1/4" Radius @ each Corner

Panel Color: Matthews MP02770 Fantan (Cream)

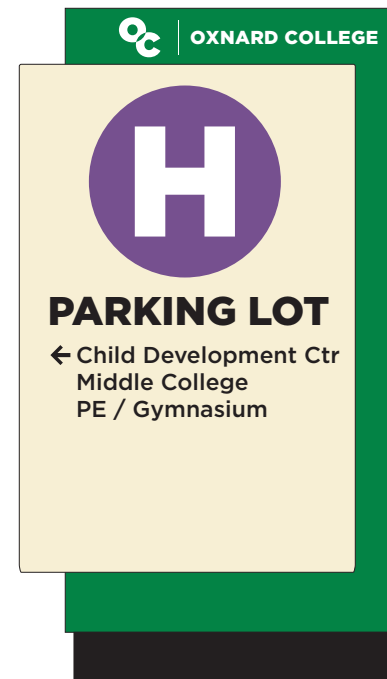
Lot Logo #: A= (TBD)
B= (TBD)
C= (TBD)
D= (TBD)
E= (TBD)
F= (TBD)
G= (TBD)
H= (TBD)
Size: 24" & 18"
Colors: See page 1 for logo color specifications

Graphics: Copy: Gotham Bold
Size: 3 1/2"
Arrow: A110
Size: 2 1/2"
Copy: Gotham Book
Size: 2" & 3" (Sign Type C3)
Color: 3M Black Vinyl

Panel Mounting: 2" deep x 1 5/8" x 1 5/8" Tamper Resistant
Locking Stand Off Attachments (per engineering details)
Stand Off Color: Black
Quantity: 6 per Panel



(Street Side)



Side B
Scale 1/2" = 1'-0"

SIGN TYPE

C
Primary
Parking Lot
Identifier

PROJECT



Exterior Design

SCALE

1"=1'-0"

SALES REP

Janell Prazak

SIGN PLANNING

Matthew Ahler

WO # 467009

page 6 of 15

DATE APPROVED

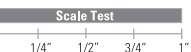
APPROV. BY

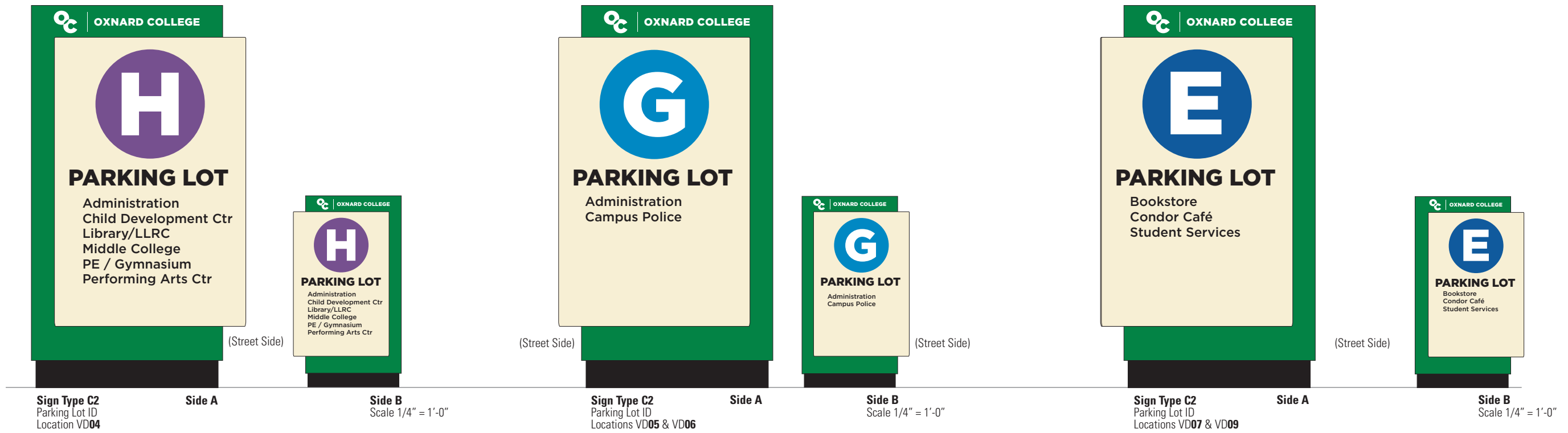
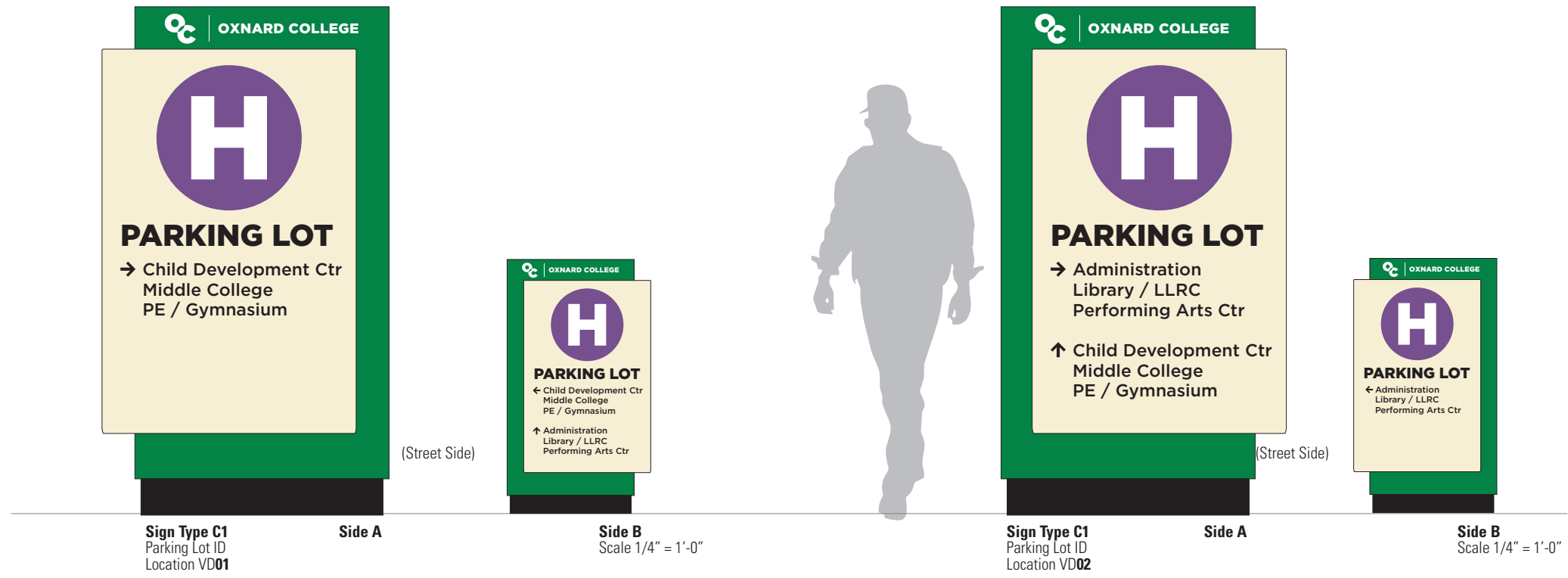
DATE	04.05.19	05.10.19	06.24.19	07.17.19	08.02.19	09.06.19	10.09.19
Design Rev	PLH Initial	PLH R1	PLH R2	PLH R3	PLH R4	PLH R5	NN R6

Corporate Headquarters
388 Grant Street SE
Atlanta, GA 30312-2227
Ph: 404.688.9000, Fax: 404.577.3847
Email: sales@apcosigns.com



apcosigns.com





SIGN TYPE

C
Primary
Parking Lot
Identifier

PROJECT



Exterior Design

SCALE

1/2" = 1'-0"

SALES REP

Janell Prazak

SIGN PLANNING

Matthew Ahler

WO # 467009

page 7 of 15

DATE APPROVED

APPROV. BY

DATE	04.05.19	05.10.19	06.24.19	07.17.19	08.02.19	09.06.19	10.09.19
Design Rev	PLH Initial	PLH R1	PLH R2	PLH R3	PLH R4	PLH R5	NN R6

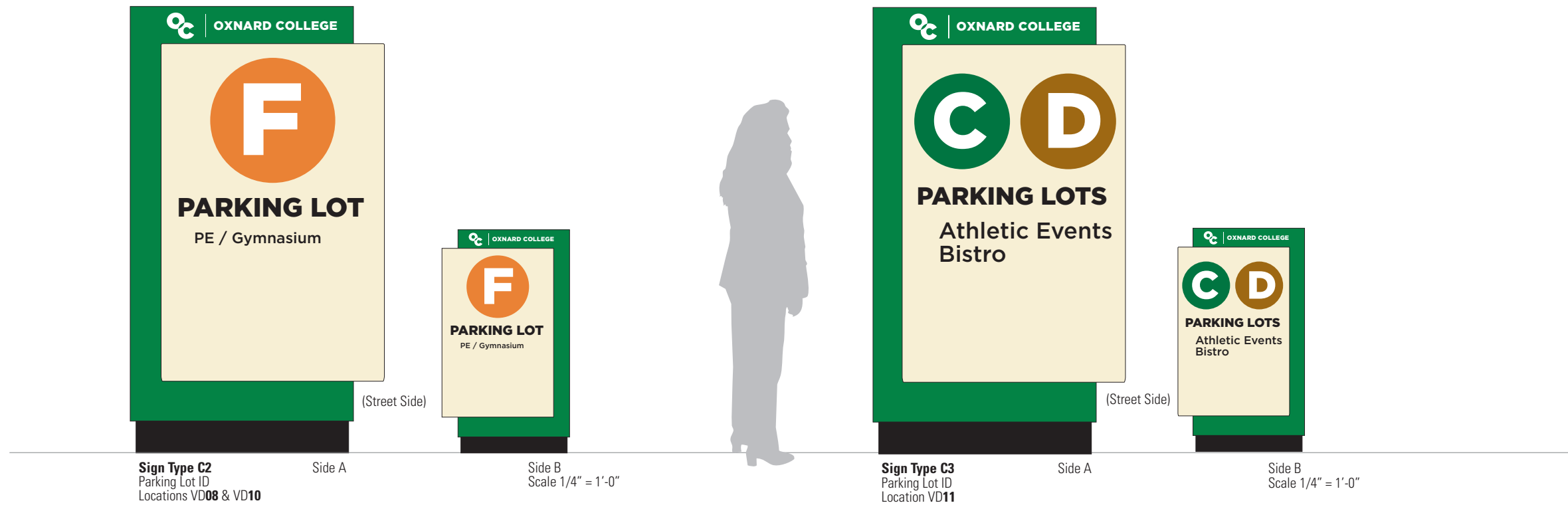
DATE	04.05.19	05.10.19	06.24.19	07.17.19	08.02.19	09.06.19	10.09.19
Design Rev	PLH Initial	PLH R1	PLH R2	PLH R3	PLH R4	PLH R5	NN R6

Corporate Headquarters
388 Grant Street SE
Atlanta, GA 30312-2227
Ph: 404.688.9000, Fax: 404.577.3847
Email: sales@apcosigns.com



apcosigns.com





Sign Type C2
Parking Lot ID
Locations VD08 & VD10

Side A

(Street Side)

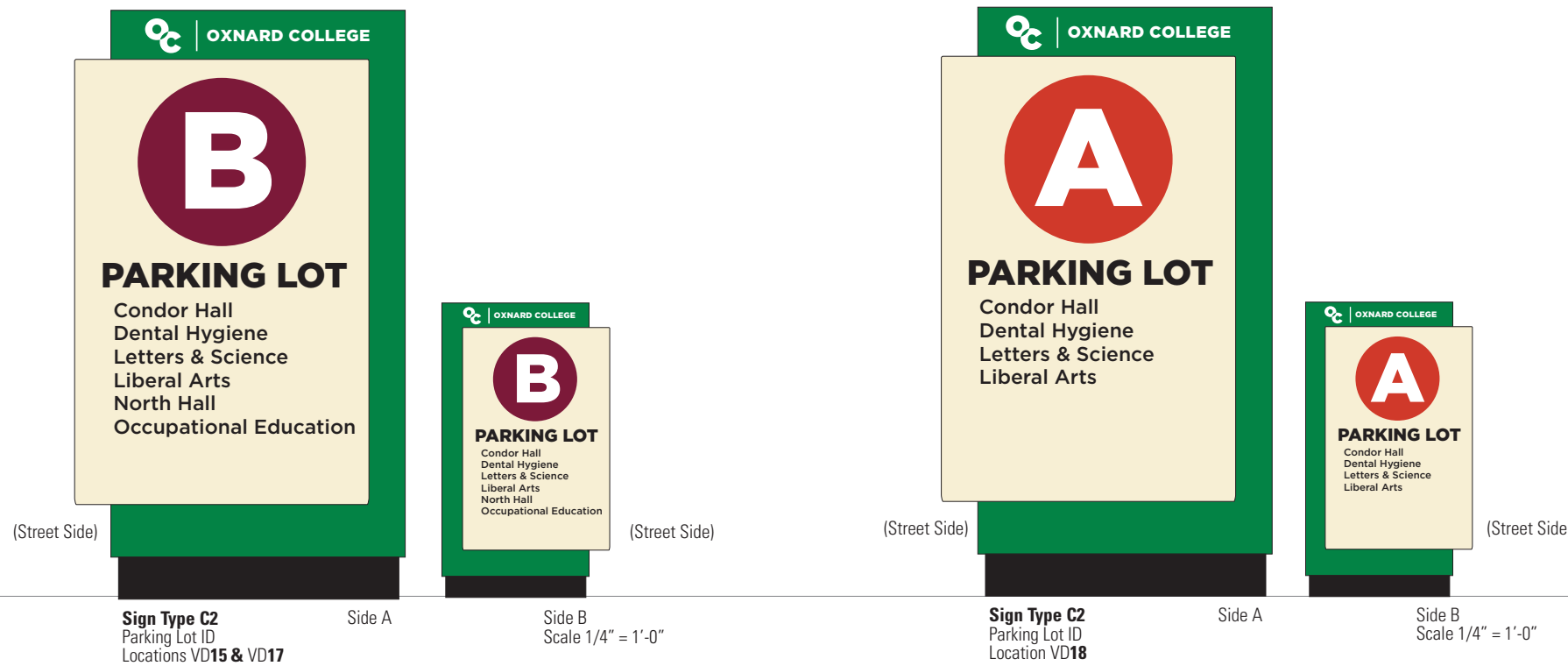
Side B
Scale 1/4" = 1'-0"

Sign Type C3
Parking Lot ID
Location VD11

Side A

(Street Side)

Side B
Scale 1/4" = 1'-0"



Sign Type C2
Parking Lot ID
Locations VD15 & VD17

Side A

(Street Side)

Side B
Scale 1/4" = 1'-0"

(Street Side)

Sign Type C2
Parking Lot ID
Location VD18

Side A

(Street Side)

Side B
Scale 1/4" = 1'-0"

(Street Side)

SIGN TYPE

C
Primary
Parking Lot
Identifier

PROJECT



Exterior Design

SCALE

1/2"=1'-0"

SALES REP

Janell Prazak

SIGN PLANNING

Matthew Ahler

WO # 467009

page 8 of 15

DATE APPROVED

APPROV. BY

DATE	DATE
04.05.19	04.05.19
05.10.19	06.24.19
06.24.19	07.17.19
07.17.19	08.02.19
08.02.19	09.06.19
09.06.19	10.09.19

Design Rev

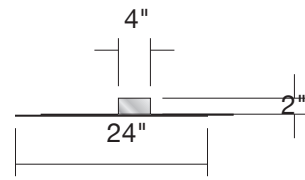
Design Rev	Initial
PLH R1	PLH R1
PLH R2	PLH R2
PLH R3	PLH R3
PLH R4	PLH R4
PLH R5	PLH R5
NN R6	NN R6

Corporate Headquarters
388 Grant Street SE
Atlanta, GA 30312-2227
Ph: 404.688.9000, Fax: 404.577.3847
Email: sales@apcosigns.com

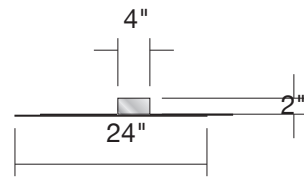


apcosigns.com

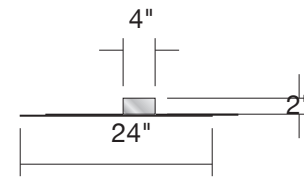




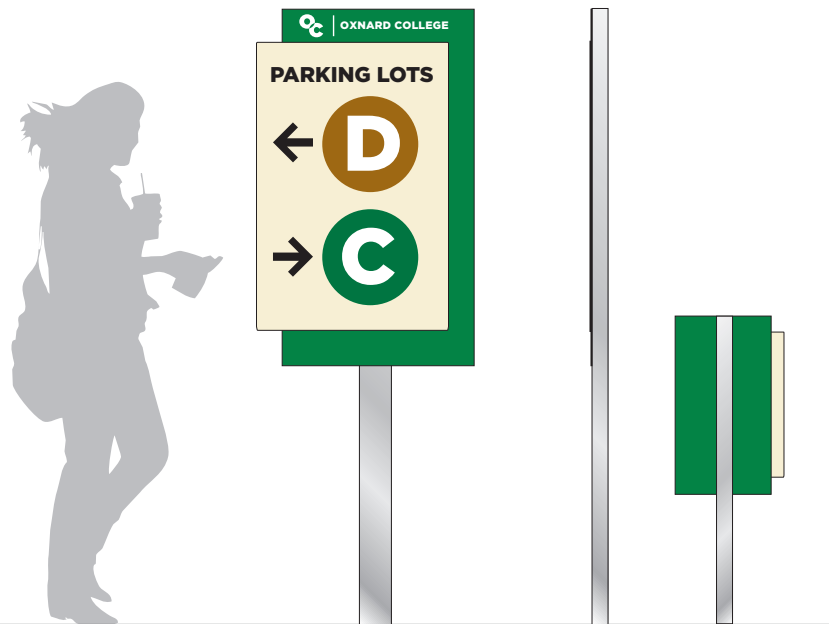
TOP VIEW



TOP VIEW



TOP VIEW



Sign Type D1
Single Faced Parking Lot Directional
Location VD12

Mounting: Direct Burial
Refer to APCO Engineering Drawings for Construction & Installation Details.

Posts
Size: 4" x 2" Rectangular
Color: Natural Satin Aluminum
Height: 77" above grade (to top of sign)

Top Panel
Size: 36" x 24" x 1/8" Thick 6061 Aluminum Alloy Plate
1/4" Radius @ each Corner

Mounting to 2nd Panel per Engineering Dwgs.

Panel Color: Matthews MP02770 Fantan (Cream)
Graphics: A02 Black
Copy: Gotham Black
Size: 1 7/8"
Arrow: A110
Size: 5"
Parking Lot Symbols: D, C
Size: 12"
Colors: A81 Cinnamon / A01 White & 52 Emerald Green / A01 White

Bottom Panel
Size: 44-1/2" x 24" x 1/8" Thick 6061 Aluminum Alloy Plate
1/4" Radius @ each Corner

Mounting: See Engineering Drawings for Specifications

Panel Color: PMS 348 Green

Oxnard Logo (# TBD)
Size: 2 7/8"
Color: A01 White

Side B
Scale 1/4" = 1'-0"



Sign Type D2
Single Faced Parking Lot Directional
Location VD4.1

Mounting: Direct Burial
Refer to APCO Engineering Drawings for Construction & Installation Details.

Posts
Size: 4" x 2" Rectangular
Color: Natural Satin Aluminum
Height: 77" above grade (to top of sign)

Top Panel
Size: 36" x 24" x 1/8" Thick 6061 Aluminum Alloy Plate
1/4" Radius @ each Corner

Mounting to 2nd Panel per Engineering Dwgs.

Panel Color: Matthews MP02770 Fantan (Cream)
Graphics: A02 Black
Copy: Gotham Black & Gotham Regular
Size: 1 7/8" & 1 1/2"
Arrow: A110
Size: 5"
Parking Lot Symbols: D, C
Size: 8"
Colors: A31 Grape / A01 White

Bottom Panel
Size: 44-1/2" x 24" x 1/8" Thick 6061 Aluminum Alloy Plate
Square Corners

Mounting: See Engineering Drawings for Specifications

Panel Color: PMS 348 Green

Oxnard Logo (# TBD)
Size: 2 7/8"
Color: A01 White

Side B
Scale 1/4" = 1'-0"



Sign Type D3
Regulatory Sign
Locations VD06.1 & VD07.1

Mounting: Direct Burial
Refer to APCO Engineering Drawings for Construction & Installation Details.

Posts
Size: 4" x 2" Rectangular
Color: Natural Satin Aluminum
Height: 77" above grade (to top of sign)

Top Panel
Size: 24" x 24" x 1/8" Thick 6061 Aluminum Alloy Plate
1/4" Radius @ each Corner

Mounting to 2nd Panel per Engineering Dwgs.

Panel Color: Matthews MP02770 Fantan (Cream)
Copy: Gotham Black
Size: 1 7/8"
Color: A02 Black
Symbol: S34
Size: 12"
Colors: A69 American Red & a01 White

Bottom Panel
Size: 33" x 24" x 1/8" Thick 6061 Aluminum Alloy Plate
Square Corners

Mounting: See Engineering Drawings for Specifications

Panel Color: PMS 348 Green

Oxnard Logo (# TBD)
Size: 2 7/8"
Color: A01 White

Side B
Scale 1/4" = 1'-0"

SIGN TYPE

D
Specialty
Vehicular
Information

PROJECT



Exterior Design

SCALE

1/2" = 1'-0"

SALES REP

Janell Prazak

SIGN PLANNING

Matthew Ahler

WO # 467009

page 9 of 15

DATE APPROVED

APPROV. BY

DATE	DATE
04.05.19	04.05.19
05.10.19	06.24.19
07.17.19	08.02.19
08.06.19	09.06.19
10.09.19	

Design Rev

PLH Initial
PLH R1
PLH R2
PLH R3
PLH R4
PLH R5
NW R6

Corporate Headquarters
388 Grant Street SE
Atlanta, GA 30312-2227
Ph: 404.688.9000, Fax: 404.577.3847
Email: sales@apcosigns.com



apcosigns.com



Sign Type F1

Primary Campus Directory with Map & Listing
Locations PD01, PD09, PD12, PD15, PD21

Overall Size (with Panels): 70-5/16" x 26-3/4" x 8-1/4" deep

Mounting: Embedded Post Mount, Direct Burial
Refer to APCO Engineering Drawings for Construction & Installation Details.

Monolith Structure

Size: 63" x 24" x 4" deep
Color: Front, Back, Top Color: PMS 348 Green
Right & Left Side Color: PMS 293 Blue

Graphics:
OC Logo (front/back): Logo # TBD
Size: 18"
Color: Matthews MP00448 Greenward (light Green)

Side Copy Font: Gotham Medium
Size: 1 3/4"
Color: A01 White

Base Size: 5" x 22" x 3 1/2" Deep
Color: Anodized Black

Graphic Panels

Top Panel Size: 28" x 23 3/4" x 1/8" Thick 6061 Aluminum Alloy Plate
1/4" Radius @ each Corner

Panel Color: Matthews MP02770 Fantan (Cream)
Graphics: Digital Print
Artwork for maps to follow

Mounting: 2" deep x 1 5/8" x 1 5/8" Tamper Resistant
Locking Stand Off Attachments (per engineering details)
Stand Off Color: Black
Quantity: 4 per Panel

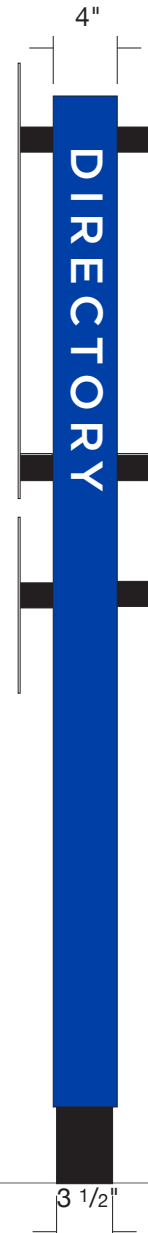
Bottom Panel Size: 11" x 23 3/4" x 1/8" Thick 6061 Aluminum Alloy Plate
1/4" Radius @ each Corner

Panel Color: Matthews MP02770 Fantan (Cream)
Graphics: Digital Print (Artwork for maps to follow)

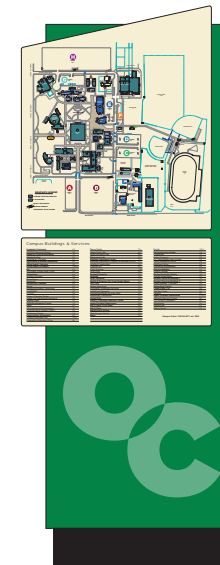
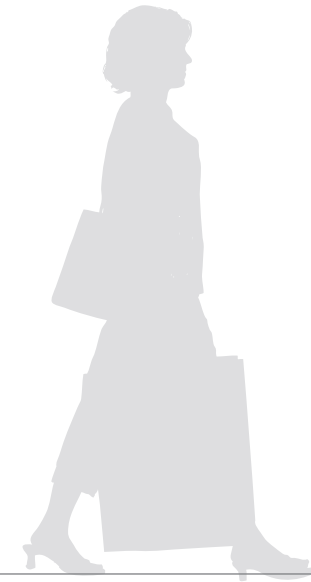
Mounting: 2" deep x 1 5/8" x 1 5/8" Tamper Resistant
Locking Stand Off Attachments (per engineering details)
Stand Off Color: Black
Quantity: 2 per Panel



TYPICAL TOP VIEW



Side A



Side B
Scale 1/2" = 1'-0"

SIGN TYPE

F1
Ground Mount
Primary Directory

PROJECT



Exterior Design

SCALE

1"=1'-0"

SALES REP

Janell Prazak

SIGN PLANNING

Matthew Ahler

WO # 467009

page 10 of 15

DATE APPROVED

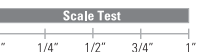
APPROV. BY

DATE	04.05.19	05.10.19	06.24.19	07.17.19	08.02.19	09.06.19	10.09.19
Design Rev	PLH Initial	PLH R1	PLH R2	PLH R3	PLH R4	PLH R5	NN R6

Corporate Headquarters
388 Grant Street SE
Atlanta, GA 30312-2227
Ph: 404.688.9000, Fax: 404.577.3847
Email: sales@apcosigns.com



apcosigns.com



Sign Type F2
 Wall Mounted Primary Campus Directory with Map & Listing
 Locations PD17, PD19.1

Overall Size (with Panels): 42-5/16" x 26-3/4" x 4-1/8" deep

Mounting: Angle Attachment Top & Bottom
 See Technical Drawings for Post Specifications and Mounting Details

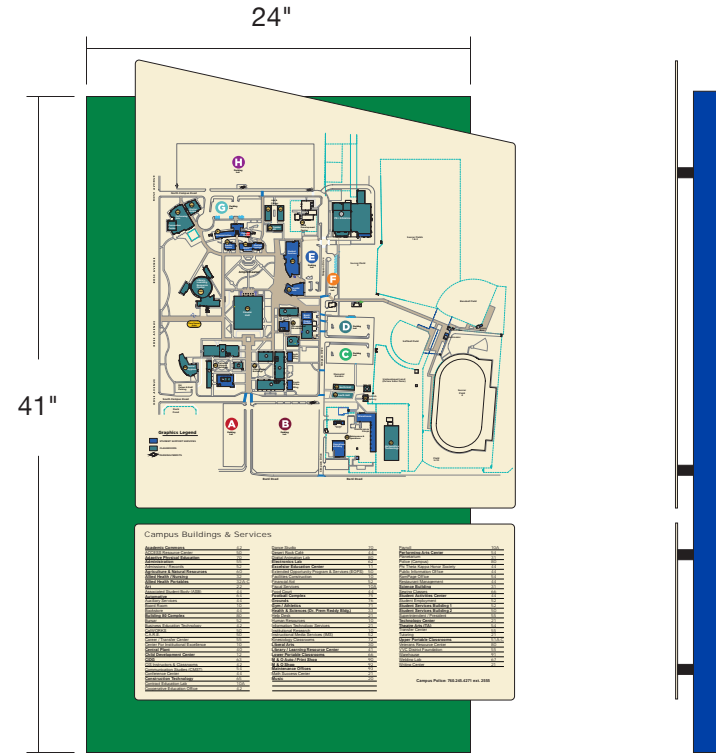
Support Structure
 Size: 41" x 24" x 2" deep
 Color: Front, Back, Bottom Color: PMS 348 Green
 Right & Left Side Color: PMS 293 Blue

Graphic Panels
 Top Panel
 Size: 28" x 23 3/4" x 1/8" Thick 6061 Aluminum Alloy Plate
 1/4" Radius @ each Corner
 Color: Matthews MP02770 Fantan (Cream)
 Graphics: Digital Print
 Artwork for maps to follow
 Mounting: 2" deep x 1-5/8" x 1-5/8" Tamper Resistant
 Locking Stand Off Attachments (per engineering details)
 Stand Off Color: Black
 Quantity: 4 per Panel

Bottom Panel
 Size: 11" x 23 3/4" x 1/8" Thick 6061 Aluminum Alloy Plate
 1/4" Radius @ each Corner
 Panel Color: Matthews MP02770 Fantan (Cream)
 Graphics: Digital Print
 Artwork for maps to follow
 Mounting: 2" deep x 1 5/8" x 1 5/8" Tamper Resistant
 Locking Stand Off Attachments (per engineering details)
 Stand Off Color: Black
 Quantity: 2 per Panel



TOP VIEW



SIGN TYPE

F2
 Wall Mount
 Primary Directory

PROJECT



Exterior Design

SCALE

1"=1'-0"

SALES REP

Janell Prazak

SIGN PLANNING

Matthew Ahler

WO # 467009

page 11 of 15

DATE APPROVED

APPROV. BY

DATE	DATE
04.05.19	04.05.19
05.10.19	05.10.19
06.24.19	06.24.19
07.17.19	07.17.19
08.02.19	08.02.19
09.06.19	09.06.19
10.09.19	10.09.19

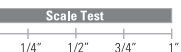
Design Rev

PLH Initial
PLH R1
PLH R2
PLH R3
PLH R4
PLH R5
NN R6

Corporate Headquarters
 388 Grant Street SE
 Atlanta, GA 30312-2227
 Ph: 404.688.9000, Fax: 404.577.3847
 Email: sales@apcosigns.com



apcosigns.com



Sign Type G
 Pedestrian Directional with Map and Listing
 (See page 12 for each location / message)

Overall Size (with Panels): 69" x 14" x 8-1/4" deep

Mounting: Embedded Post Mount, Direct Burial
 Refer to APCO Engineering Drawings for Construction & Installation Details.

Monolith Structure

Size: 63" x 11 3/4" x 4" deep
 Color: Front, Back, Top Color: PMS 348 Green
 Right & Left Side Color: PMS 293 Blue

Graphics:
 QC Logo (front/back): Logo # TBD
 Size: 10"
 Color: Matthews MP00448 Greenward (light Green)

Base Size: 5" x 10" x 3 1/2" Deep
 Color: Anodized Black

Graphic Panels

Top Panel
 Size: 13 1/2" x 12 1/2" x 1/8" Thick 6061 Aluminum Alloy Plate
 1/4" Radius @ each Corner

Panel Color: Matthews MP02770 Fantan (Cream)
 Graphics: Digital Print
 Artwork for maps to follow

Mounting: 2" deep x 1 5/8" x 1 5/8" Tamper Resistant
 Locking Stand Off Attachments (per engineering details)
 Stand Off Color: Black
 Quantity: 2 per Panel

Bottom Panel
 Size: 24" x 12 1/2" x 1/8" Thick 6061 Aluminum Alloy Plate
 1/4" Radius @ each Corner

Panel Color: Matthews MP02770 Fantan (Cream)
 Graphics: Digital Print
 Arrow: A110
 Size: 1 1/4"
 Copy: Gotham Book & Gotham Bold
 Size: 5/8"
 Lot Logo #: A= (TBD)
 B= (TBD)
 C= (TBD)
 D= (TBD)
 E= (TBD)
 F= (TBD)
 G= (TBD)
 H= (TBD)

Size: 1"
 Colors: See page 1 for specifications

Mounting: 2" deep x 1 5/8" x 1 5/8" Tamper Resistant
 Locking Stand Off Attachments (per engineering details)
 Stand Off Color: Black
 Quantity: 4 per Panel



Sign Type G
 Pedestrian Directional / Campus Map

SIGN TYPE

G
 Pedestrian
 Directional with
 Schematic Map

PROJECT



Exterior Design

SCALE

1"=1'-0"

SALES REP

Janell Prazak

SIGN PLANNING

Matthew Ahler

WO # 467009

page 12 of 15

DATE APPROVED

APPROV. BY

DATE	04.05.19	05.10.19	06.24.19	07.17.19	08.02.19	09.06.19	10.09.19

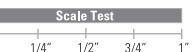
Design Rev

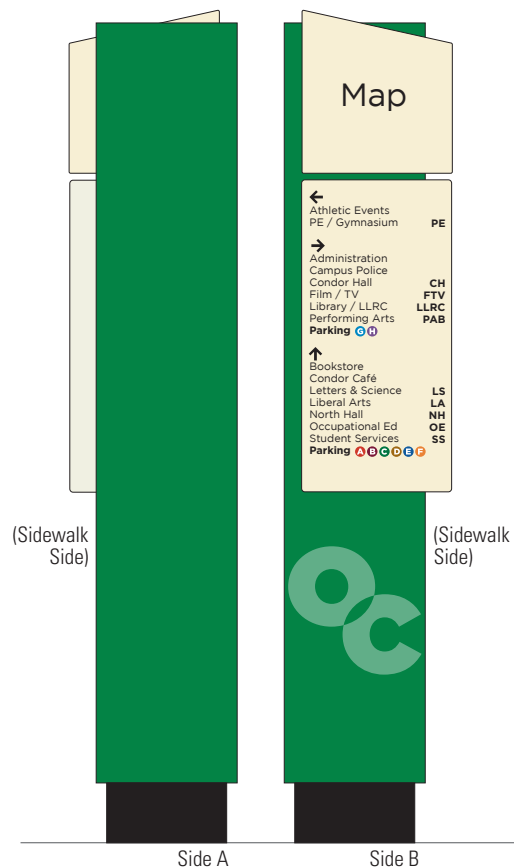
PLH Initial
PLH R1
PLH R2
PLH R3
PLH R4
PLH R5
NN R6

Corporate Headquarters
 388 Grant Street SE
 Atlanta, GA 30312-2227
 Ph: 404.688.9000, Fax: 404.577.3847
 Email: sales@apcosigns.com



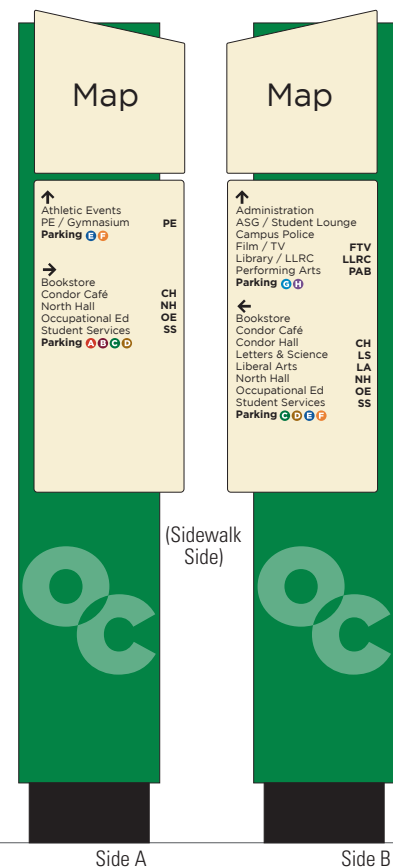
apcosigns.com





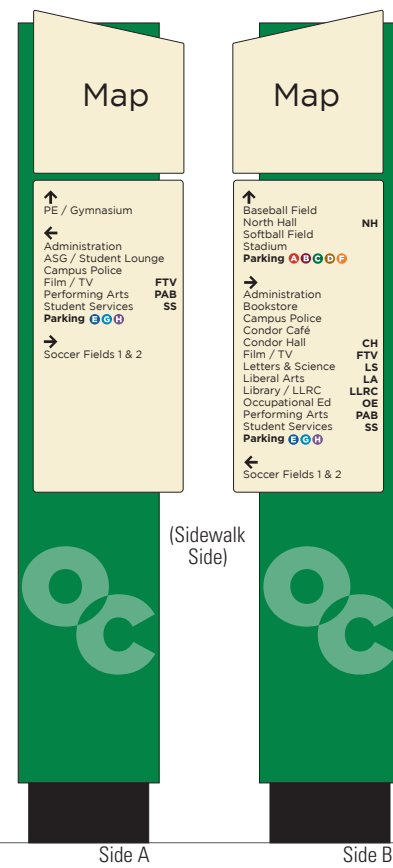
Side A
Location PD02

Side B



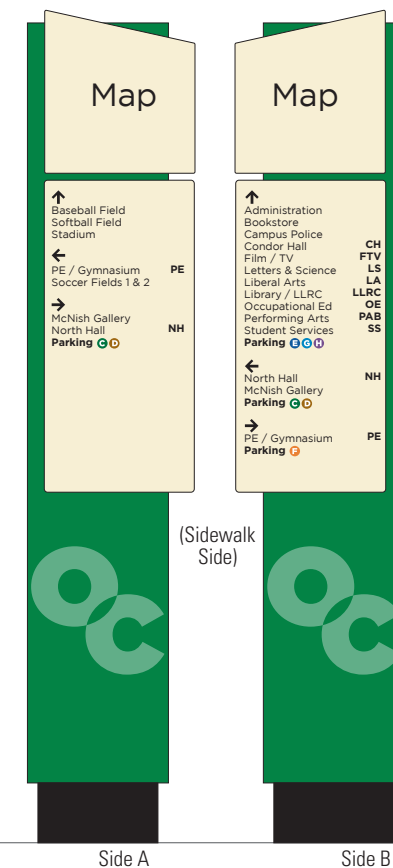
Side A
Location PD03

Side B



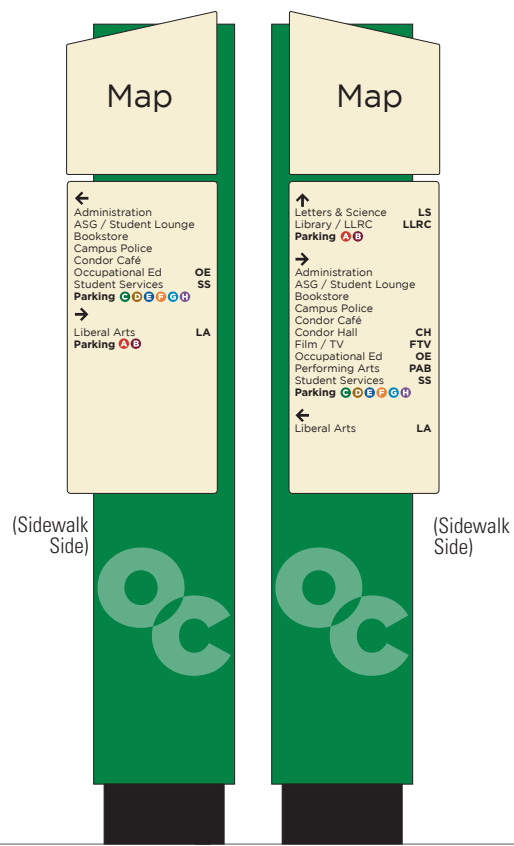
Side A
Location PD04

Side B



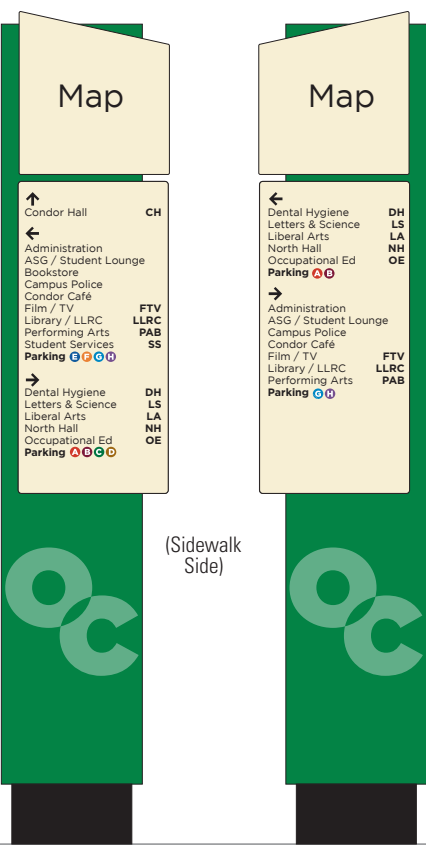
Side A
Location PD05

Side B



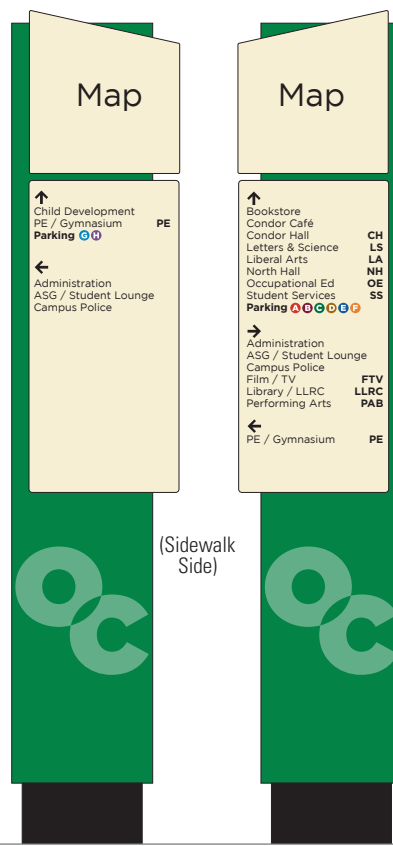
Side A
Location PD13

Side B



Side A
Location PD14

Side B



Side A
Location PD19

Side B

SIGN TYPE

G
Layout drawing

PROJECT



Exterior Design

SCALE

3/4"=1'-0"

SALES REP

Janell Prazak

SIGN PLANNING

Matthew Ahler

WO # 467009

DATE APPROVED

APPROV. BY

DATE	DATE
04.05.19	04.05.19
05.10.19	06.24.19
06.24.19	07.17.19
07.17.19	08.02.19
08.02.19	09.06.19
09.06.19	10.09.19

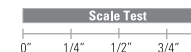
Design Rev

PLH Initial
PLH R1
PLH R2
PLH R3
PLH R4
PLH R5
NN R6

Corporate Headquarters
388 Grant Street SE
Atlanta, GA 30312-2227
Ph: 404.688.9000, Fax: 404.577.3847
Email: sales@apcosigns.com



apcosigns.com



Sign Type H

Pedestrian Directional
(See page 14 for each location / message)

Overall Size (with Panels): 69" x 14" x 8-1/4" deep

Mounting: Embedded Post Mount, Direct Burial
Refer to APCO Engineering Drawings for Construction & Installation Details.

Monolith Structure

Size: 63" x 11 3/4" x 4" deep
Color: Front, Back, Top Color: PMS 348 Green
Right & Left Side Color: PMS 293 Blue

Graphics: OC Logo (front/back): Logo # TBD
Size: 10"
Color: Matthews MP00448 Greenward (light Green)

Base Size: 5" x 10" x 3" Deep
Color: Anodized Black

Graphic Panel

Size: 31" x 12 1/2" x 1/8" Thick 6061 Aluminum Alloy Plate
1/4" Radius @ each Corner

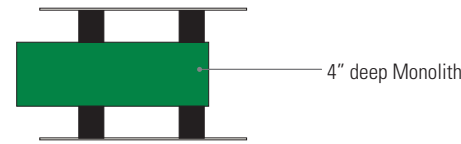
Panel Color: Matthews MP02770 Fantan (Cream)

Graphics: Digital Print
Arrow: A110
Size: 1 1/4"
Copy: Gotham Book & Gotham Bold
Size: 5/8"
Lot Logo #: A= (TBD)
B= (TBD)
C= (TBD)
D= (TBD)
E= (TBD)
F= (TBD)
G= (TBD)
H= (TBD)

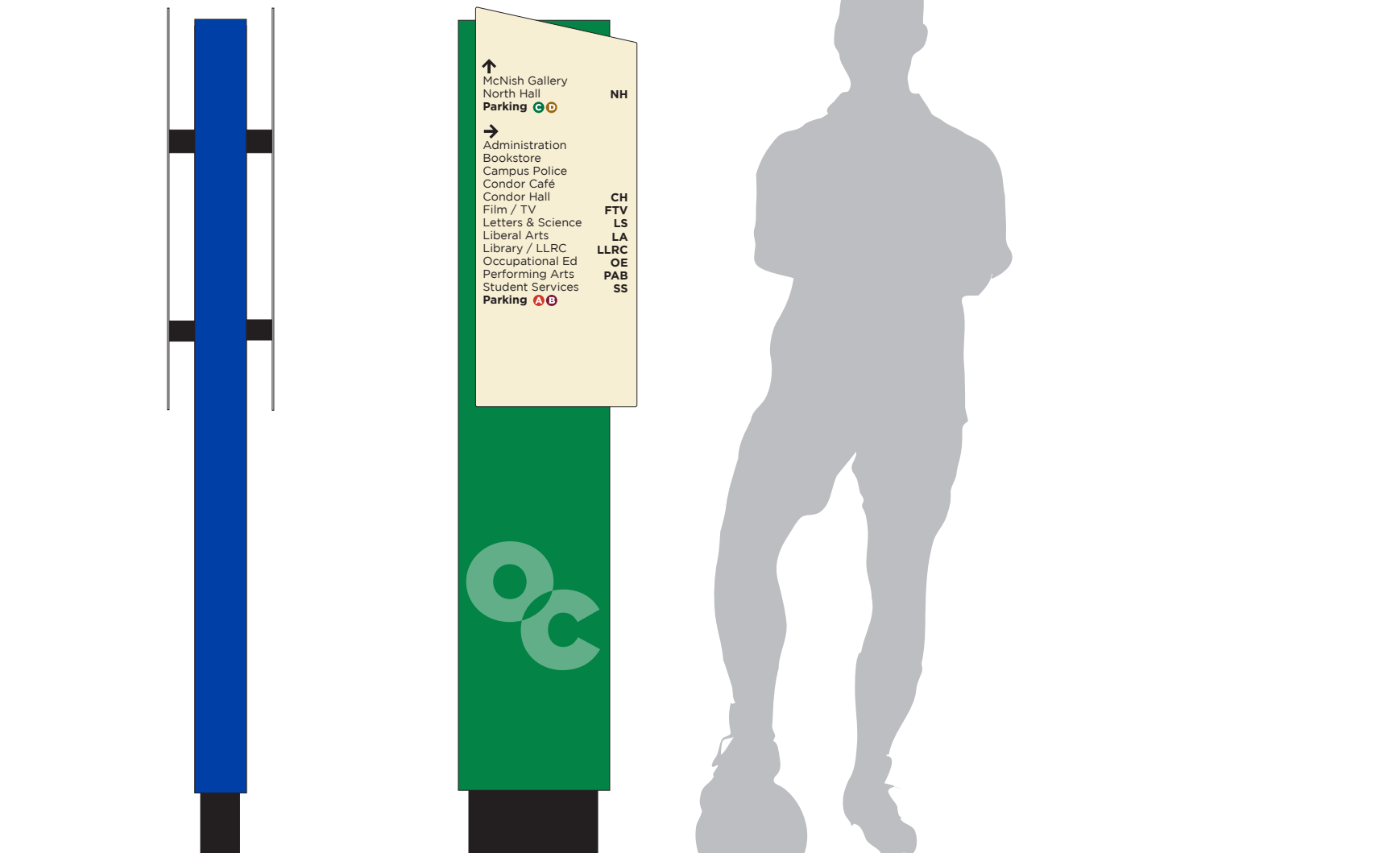
Size: 1"
Colors: See page 1 for specifications

Mounting: 2" deep x 1 5/8" x 1 5/8" Tamper Resistant
Locking Stand Off Attachments (per engineering details)

Stand Off Color: Black
Quantity: 4 per Panel



Typical Top View



SIGN TYPE

H
Pedestrian Directional

PROJECT



Exterior Design

SCALE

1"=1'-0"

SALES REP

Janell Prazak

SIGN PLANNING

Matthew Ahler

WO # 467009

page 14 of 15

DATE APPROVED

APPROV. BY

DATE	DATE
04.05.19	04.05.19
05.10.19	05.10.19
06.24.19	06.24.19
07.17.19	07.17.19
08.02.19	08.02.19
09.06.19	09.06.19
10.09.19	10.09.19

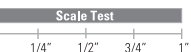
Design Rev

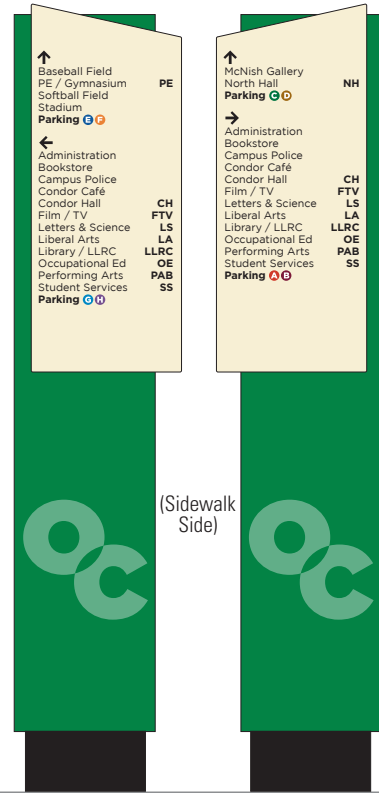
PLH Initial
PLH R1
PLH R2
PLH R3
PLH R4
PLH R5
NN R6

Corporate Headquarters
388 Grant Street SE
Atlanta, GA 30312-2227
Ph: 404.688.9000, Fax: 404.577.3847
Email: sales@apcosigns.com



apcosigns.com

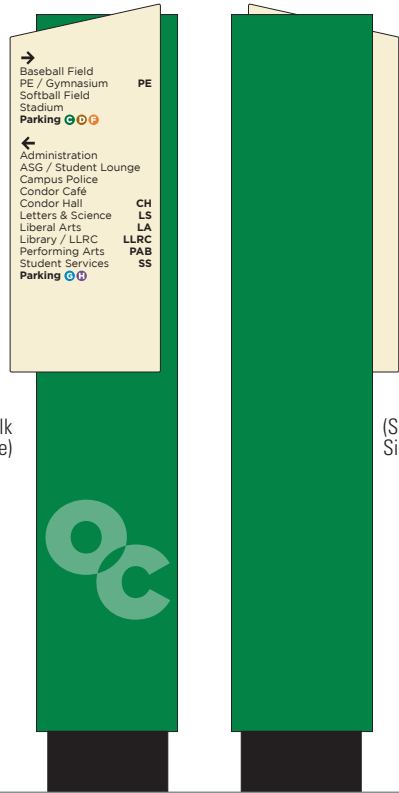




Side A
Location PD07

(Sidewalk Side)

Side B

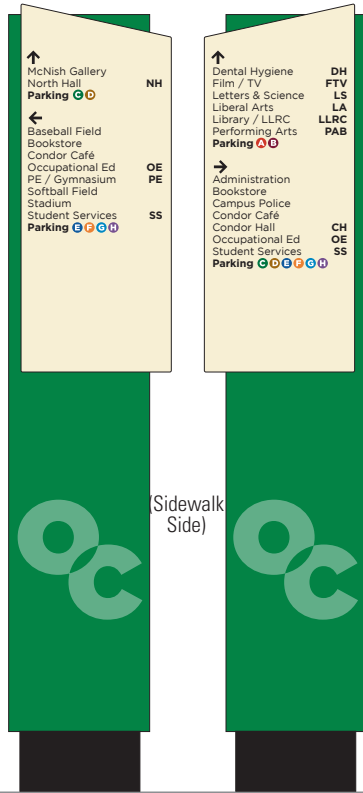


Side A
Location PD08

(Sidewalk Side)

Side B

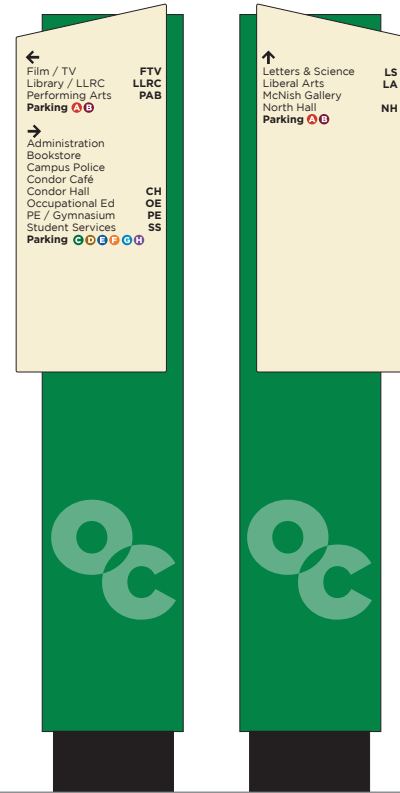
(Sidewalk Side)



Side A
Location PD11

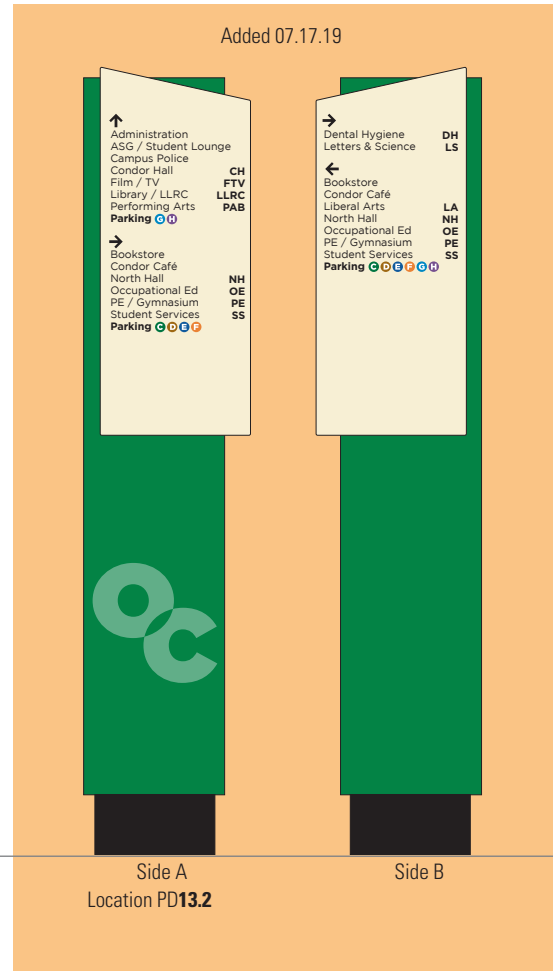
(Sidewalk Side)

Side B



Side A
Location PD13.1

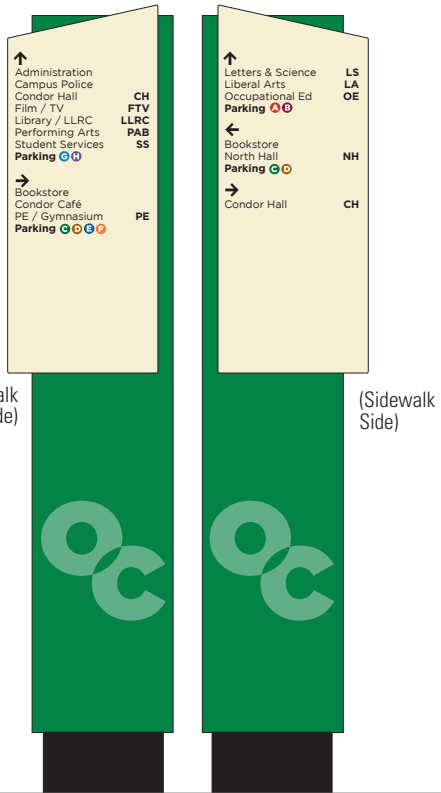
Side B



Side A
Location PD13.2

Side B

Added 07.17.19

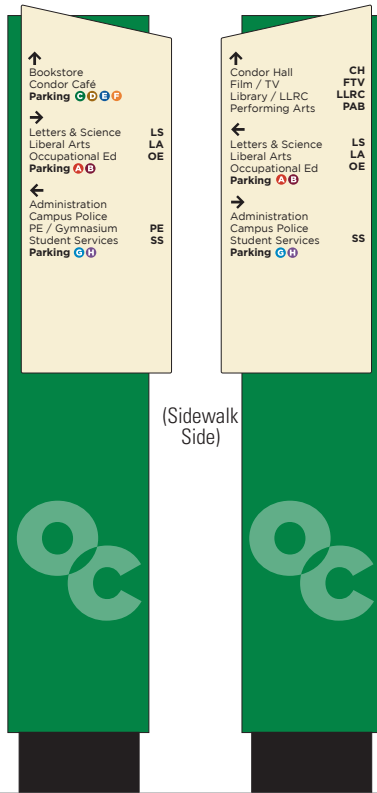


Side A
Location PD16

(Sidewalk Side)

Side B

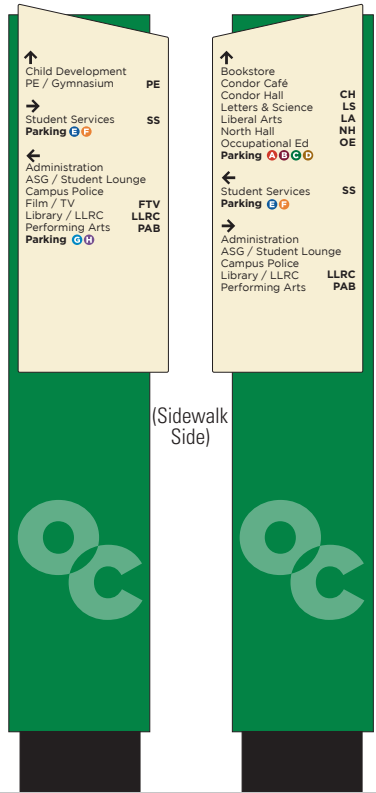
(Sidewalk Side)



Side A
Location PD16.1

(Sidewalk Side)

Side B



Side A
Location PD18

(Sidewalk Side)

Side B



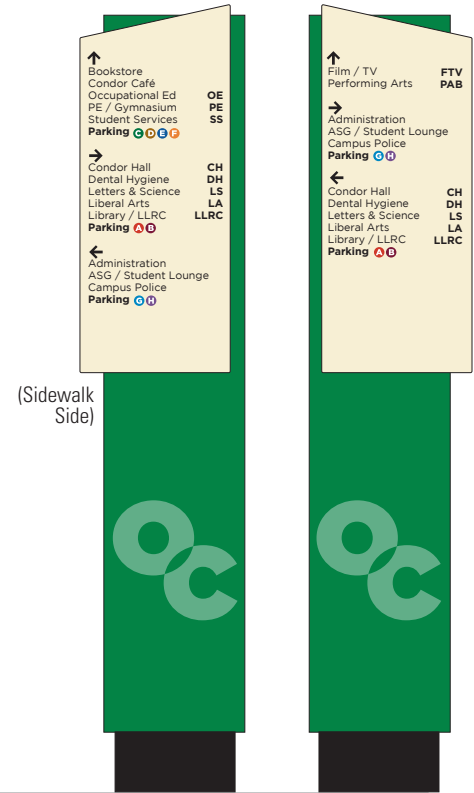
Side A
Location PD19.1

(Sidewalk Side)

Side B

(Sidewalk Side)

Added 07.17.19



Side A
Location PD20

(Sidewalk Side)

Side B

(Sidewalk Side)

SIGN TYPE

H
Pedestrian
Directional

PROJECT

OXNARD COLLEGE

Exterior Design

SCALE

3/4"=1'-0"

SALES REP

Janell Prazak

SIGN PLANNING

Matthew Ahler

WO # 467009

page 15 of 15

DATE APPROVED

APPROV. BY

DATE	APPROV. BY
04.05.19	
05.10.19	
06.24.19	
07.17.19	
08.02.19	
09.06.19	
10.09.19	

Design Rev

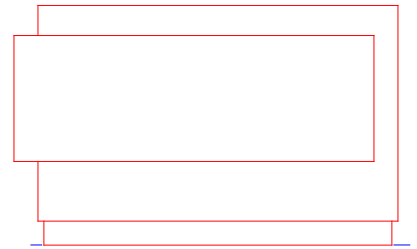
Design Rev	DATE
PLH Initial	
PLH R1	
PLH R2	
PLH R3	
PLH R4	
PLH R5	
NN R6	

Corporate Headquarters
388 Grant Street SE
Atlanta, GA 30312-2227
Ph: 404.688.9000, Fax: 404.577.3847
Email: sales@apcosigns.com



apcosigns.com

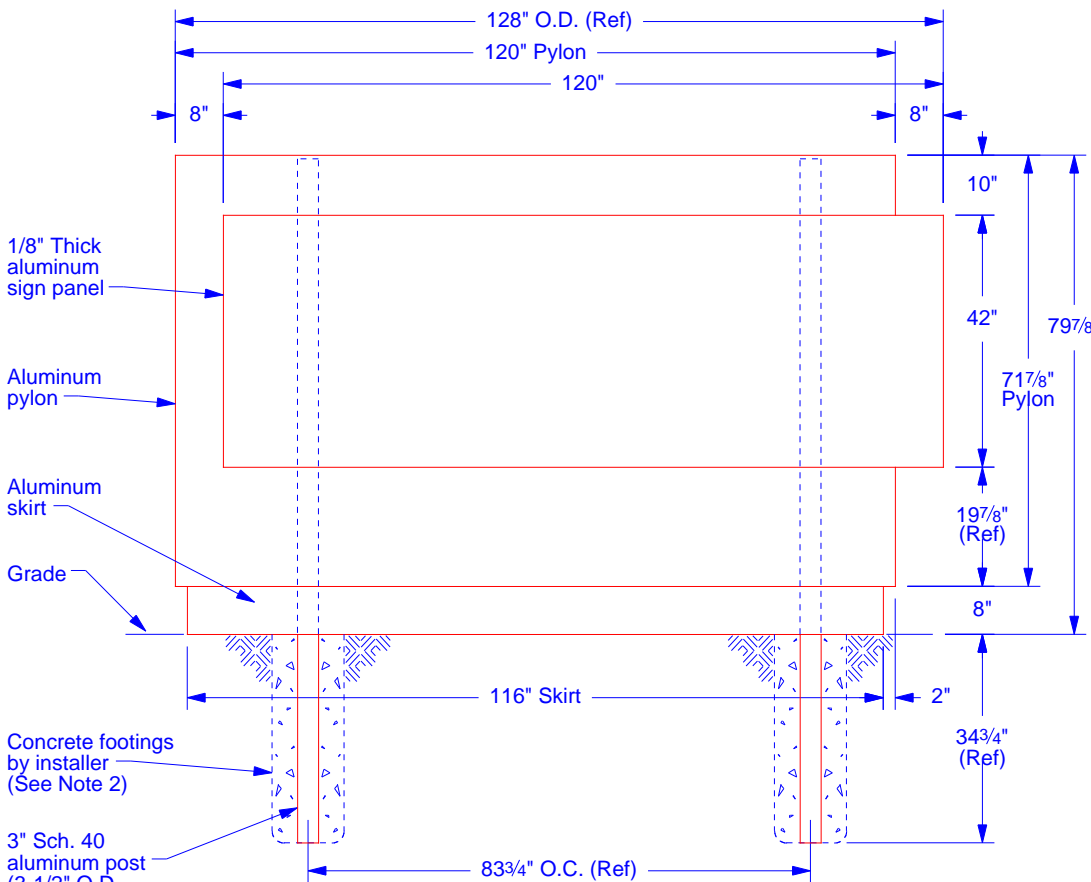




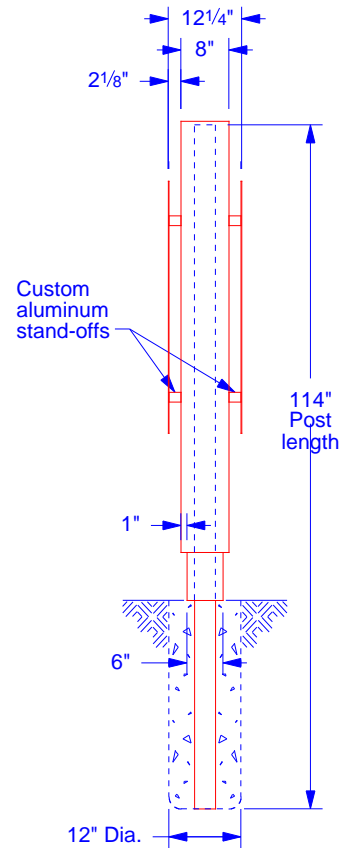
BACK VIEW
Scale: 3/16"=1'-0"



PLAN VIEW
Scale: 3/8"=1'-0"



FRONT VIEW
Scale: 3/8"=1'-0"



END VIEW
Scale: 3/8"=1'-0"

NOTES:

1. Refer to presentation drawing and/or work order for colors and graphics specifications.
2. Footings shown are for reference only. Actual design and installation is by qualified persons based on local codes and geographic practices.
3. Posts are epoxy primed and polyurethane coated. Installer attaches posts to sign prior to installation.

Sign Type(s)
A

APPROVAL REQUIRED BY: _____
DATE: _____



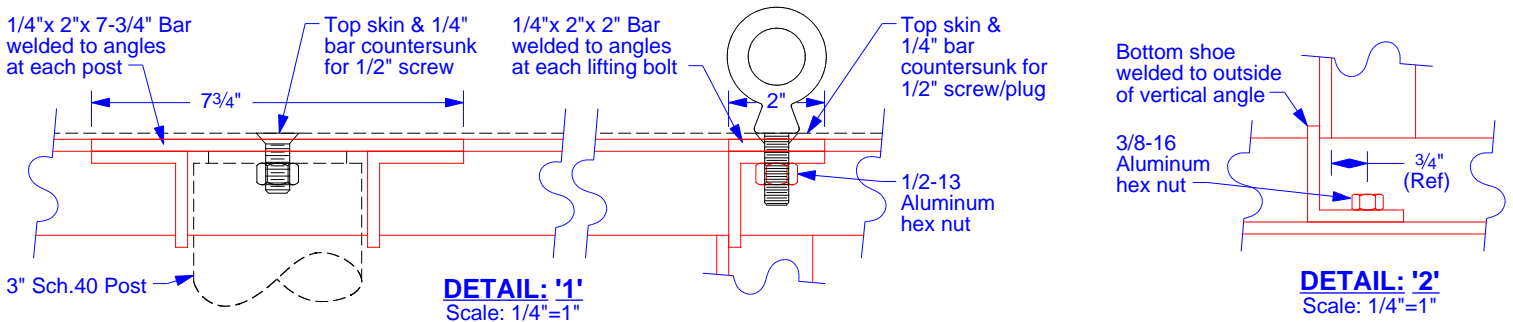
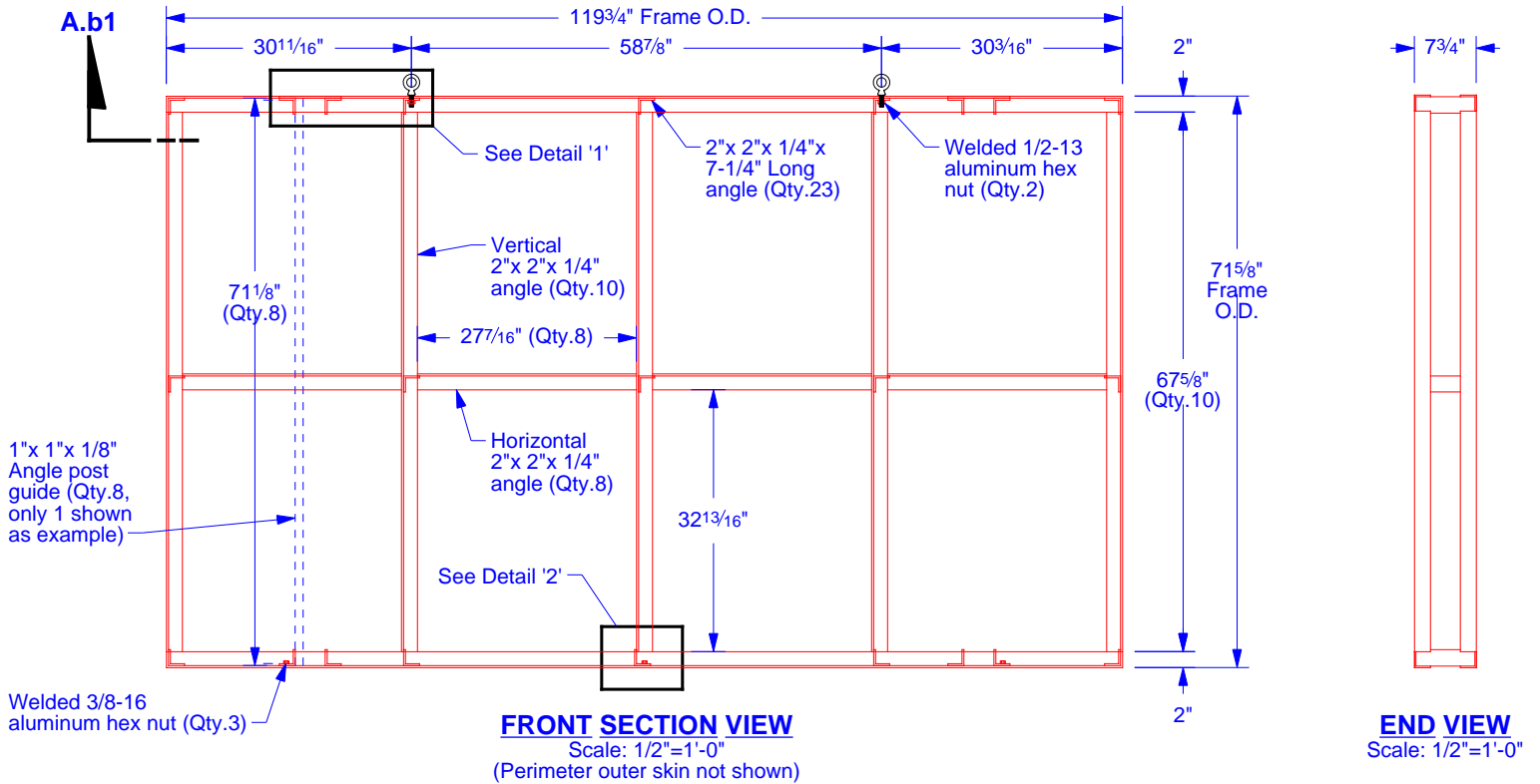
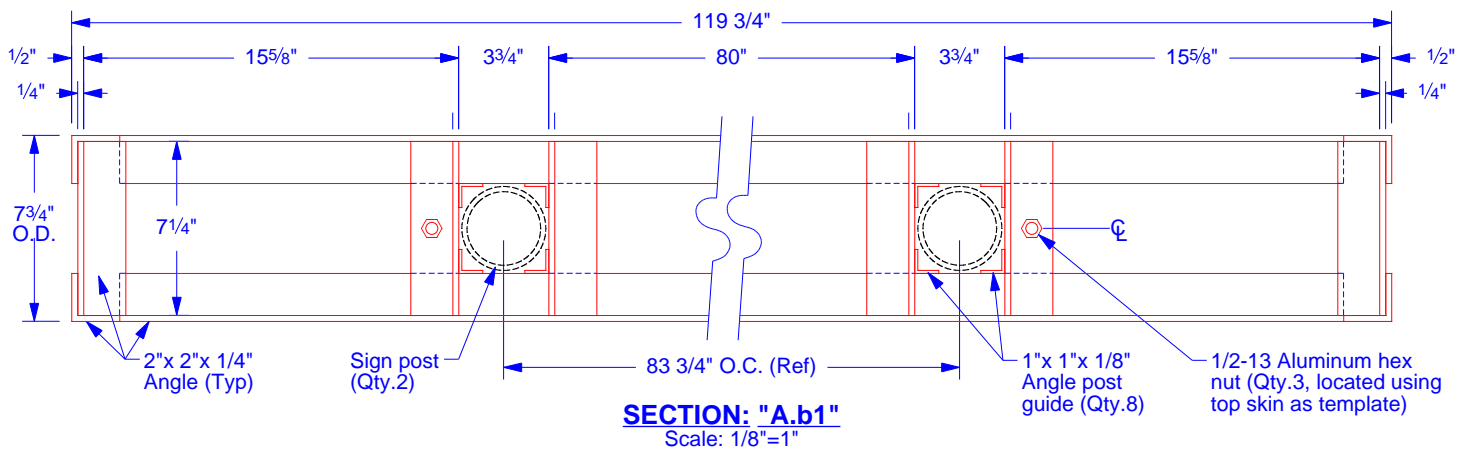
Atlanta, Georgia USA • Phone: (404) 688-9000 • Web: www.apcosigns.com

All Design Rights Reserved

Customer: Ventura County Community College
Project: Oxnard College
Sign 'A' - Elevation Views
Product: Custom Monolithic Sign
In-Ground Mount, Non-Illuminated

Date: 08/30/19
Drawn: RCB
Scale: As Shown
Coord.: EG
W.O.#: 467009

Sheet: A.a



NOTES:

1. Refer to presentation drawing and/or work order for colors and graphics specifications.
2. Bottom center angle (shoe) is welded to outside of vertical center angle to align with center hole in bottom skin and skirt.
3. Once sign is installed, lifting bolts are removed and holes are capped with countersunk screws provided.

Sign Type(s)
A

APPROVAL REQUIRED BY: _____ DATE: _____



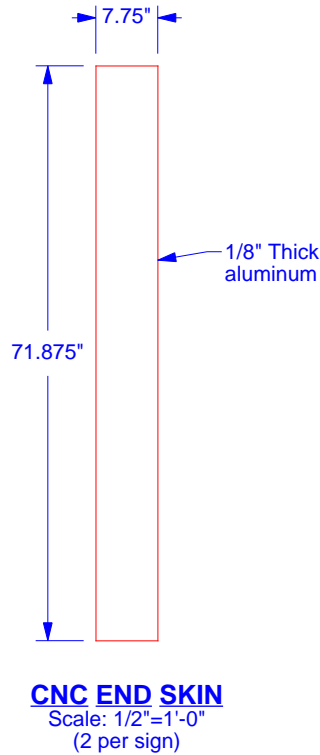
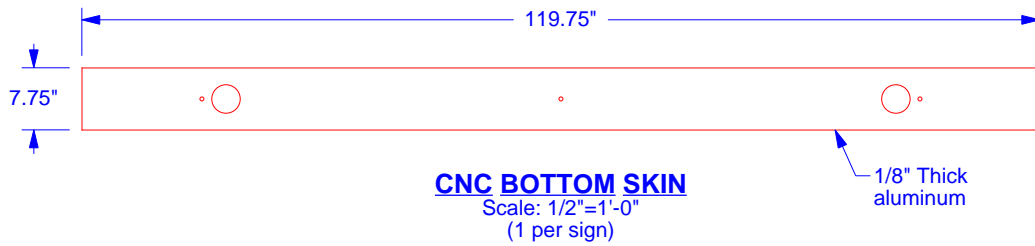
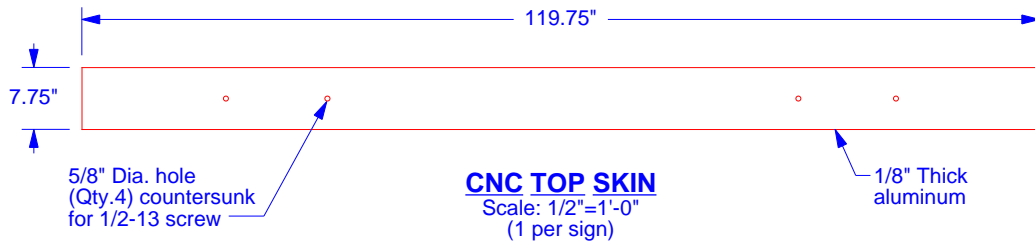
Atlanta, Georgia USA • Phone: (404) 688-9000 • Web: www.apcosigns.com

All Design Rights Reserved

Customer: Ventura County Community College
Project: Oxnard College
Sign 'A' - Pylon Details
Product: Custom Monolithic Sign
In-Ground Mount, Non-Illuminated

Date: 08/30/19
Drawn: RCB
Scale: As Shown
Coord.: EG
W.O.#: 467009

Sheet: A.b



Sign Type(s)
A

NOTES:

1. Outer skins are CNC cut out of 1/8" thick aluminum.

**APPROVAL
REQUIRED**

BY: _____

DATE: _____

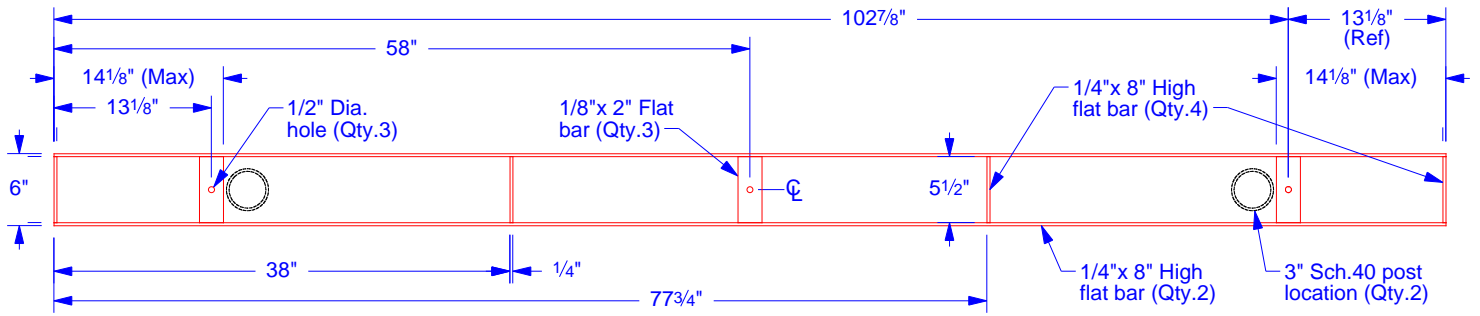


Atlanta, Georgia USA • Phone: (404) 688-9000 • Web: www.apcosigns.com

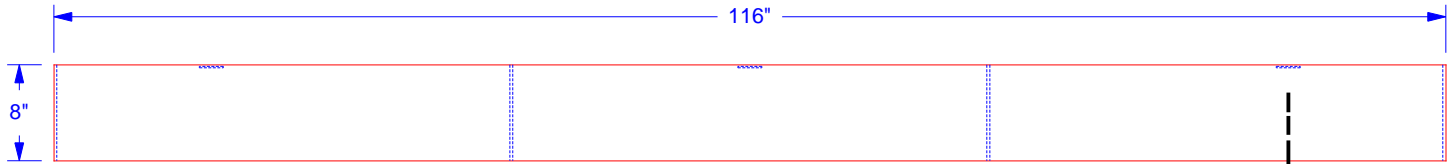
All Design Rights Reserved

Customer: Ventura County Community College
Project: Oxnard College
Sign 'A' - Pylon Outer Skin Details
Product: Custom Monolithic Sign
In-Ground Mount, Non-Illuminated

Date: 08/30/19
Drawn: RCB
Scale: As Shown
Coord.: EG
W.O.#: 467009

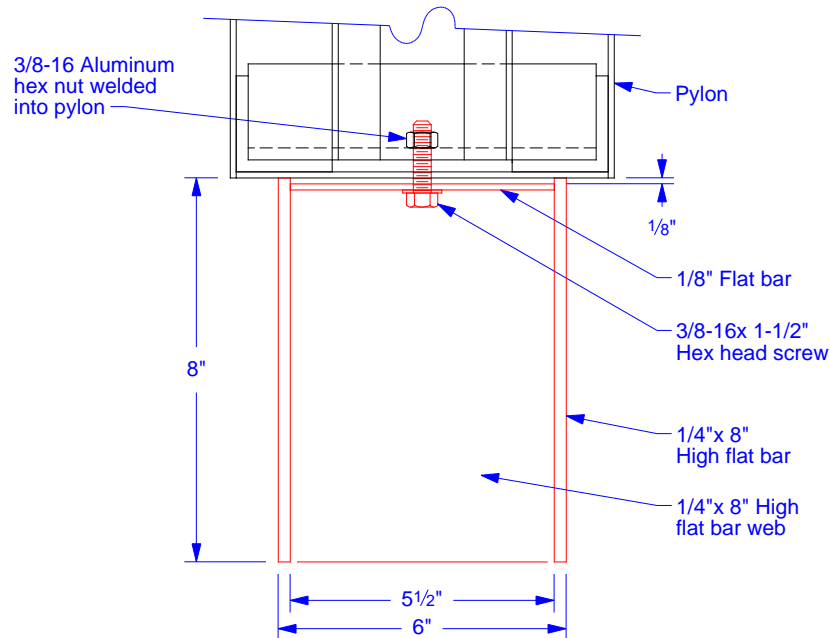


PLAN VIEW
Scale: 3/4"=1'-0"



FRONT VIEW: SKIRT
Scale: 3/4"=1'-0"

A.d1



SECTION: "A.d1"
Scale: 1/4"=1"

Sign Type(s)
A

NOTES:

1. Refer to presentation drawing and/or work order for colors and graphics specifications.
2. Skirt is factory assembled to sign.

**APPROVAL
REQUIRED**

BY: _____
DATE: _____



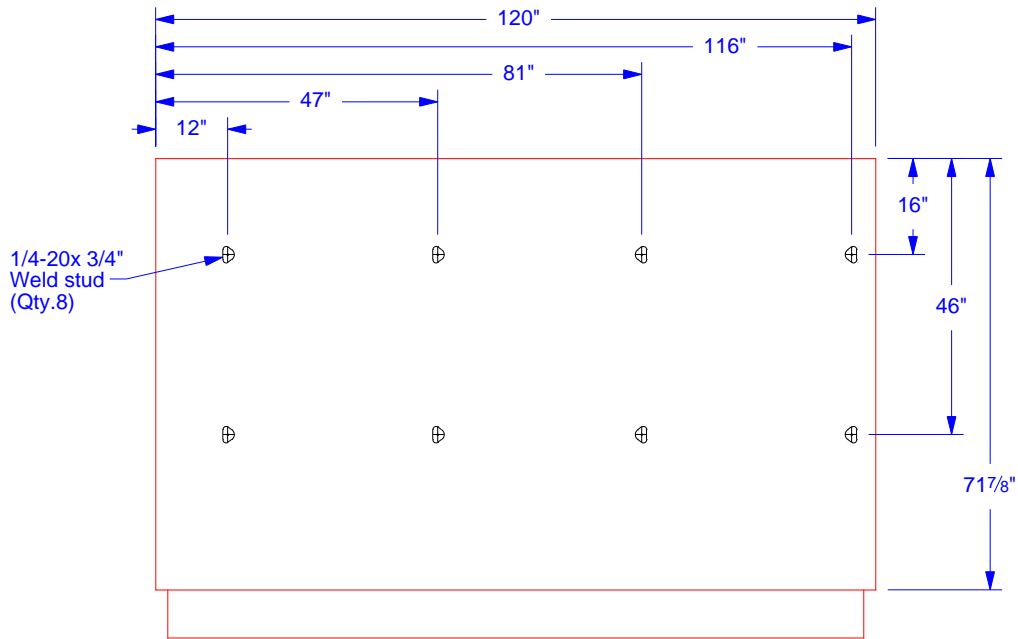
Atlanta, Georgia USA • Phone: (404) 688-9000 • Web: www.apcosigns.com

All Design Rights Reserved

Customer: Ventura County Community College
Project: Oxnard College
Sign 'A' - Skirt Details
Product: Custom Monolithic Sign
In-Ground Mount, Non-Illuminated

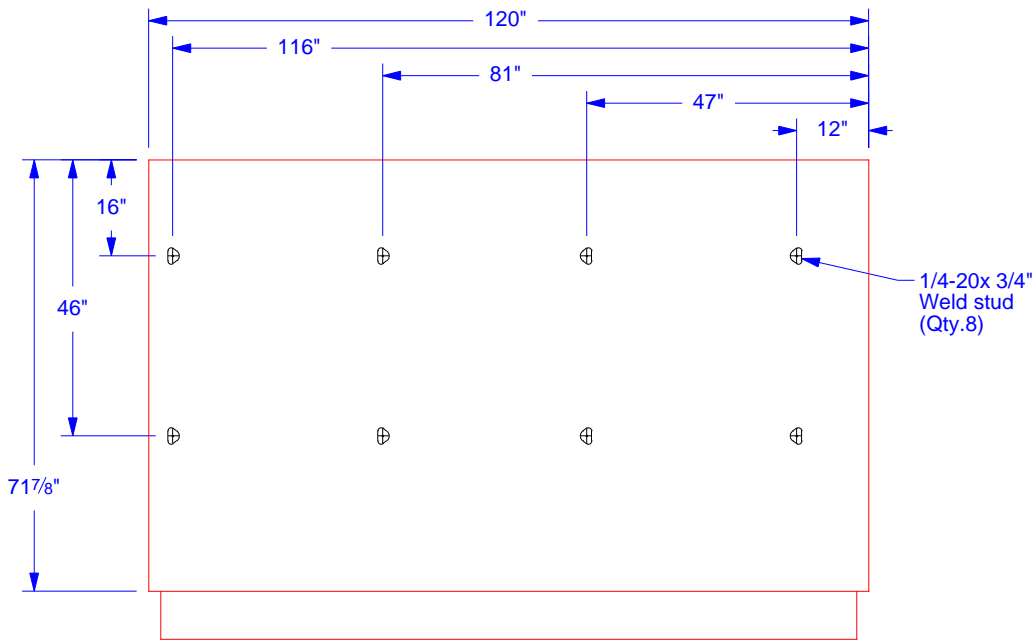
Date: 08/30/19
Drawn: RCB
Scale: As Shown
Coord.: EG
W.O.#: 467009

Sheet: A.d



PYLON FRONT VIEW

Scale: 3/8"=1'-0"
(See Note 2)



BACK VIEW

Scale: 3/8"=1'-0"
(See Note 2)

NOTES:

1. Pylon faces are rough cut slightly taller and wider than pylon frame. Faces are bonded with Plexus AO 420 adhesive and routed to match pylon frame. Weld studs are located after faces are routed.
2. Stud locations in pylon Faces 'A' and 'B' are mirrored.

Sign Type(s)
A

**APPROVAL
REQUIRED**

BY: _____

DATE: _____



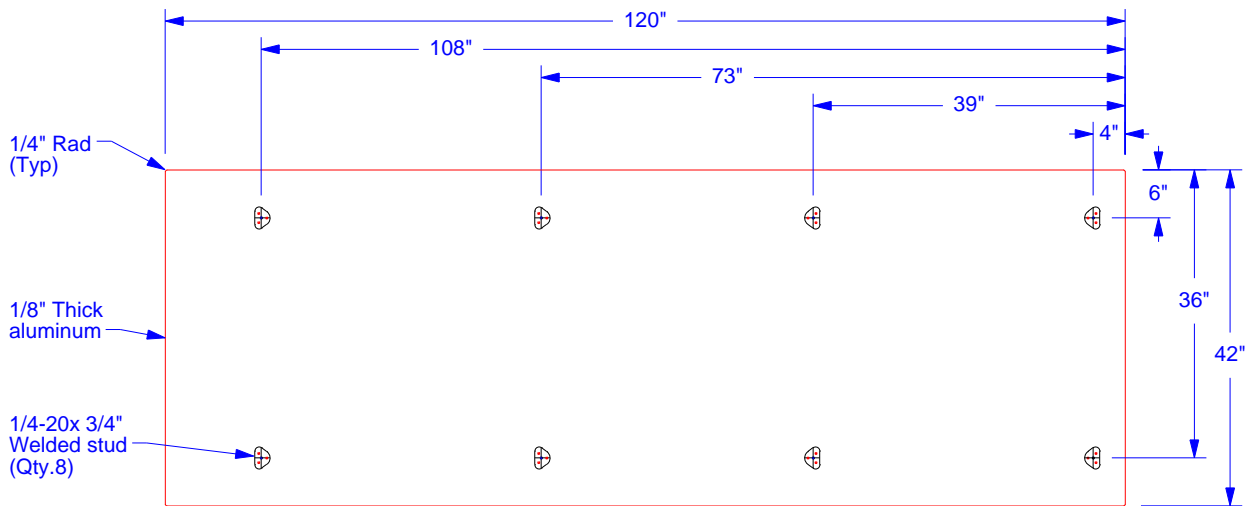
Atlanta, Georgia USA • Phone: (404) 688-9000 • Web: www.apcosigns.com

All Design Rights Reserved

Customer: Ventura County Community College
Project: Oxnard College
Sign 'A' - Pylon Stud Locations
Product: Custom Monolithic Sign
In-Ground Mount, Non-Illuminated

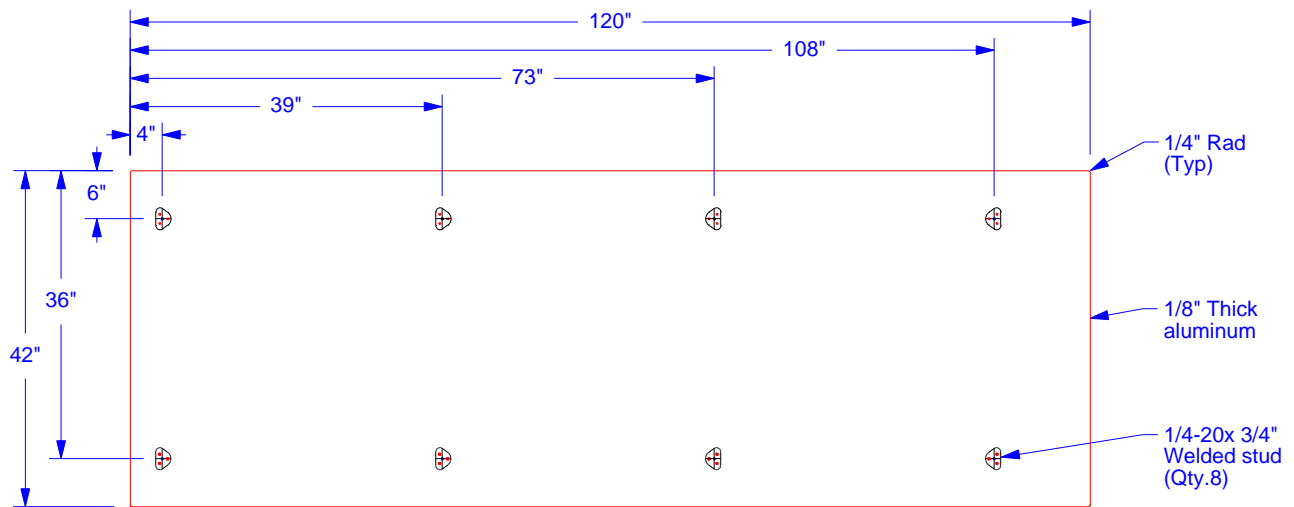
Date: 08/30/19
Drawn: RCB
Scale: As Shown
Coord.: EG
W.O.#: 467009

Sheet: A.e



BACK VIEW: SIGN PANEL SIDE 'A'

Scale: 1/2"=1'-0"
(Qty.1, See Note 2)



BACK VIEW: SIGN PANEL SIDE 'B'

Scale: 1/2"=1'-0"
(Qty.1, See Note 2)

Sign Type(s)
A

NOTES:

1. Refer to presentation drawing and/or work order for colors and graphics specifications.
2. Stud locations in panel Sides 'A' and 'B' are mirrored.

**APPROVAL
REQUIRED**

BY: _____
DATE: _____

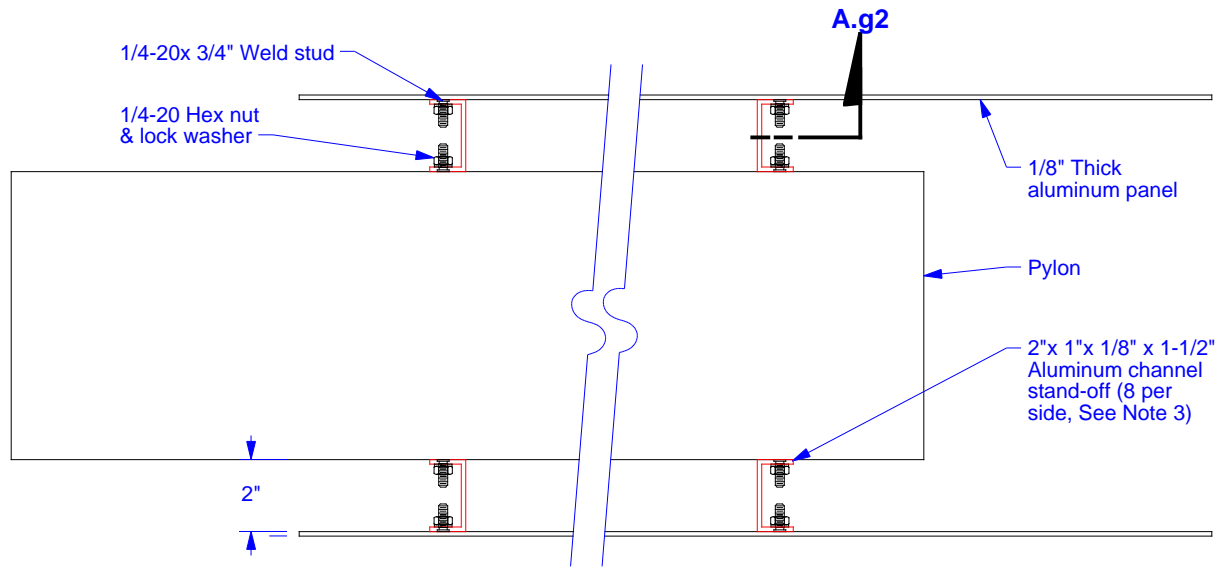


Atlanta, Georgia USA • Phone: (404) 688-9000 • Web: www.apcosigns.com

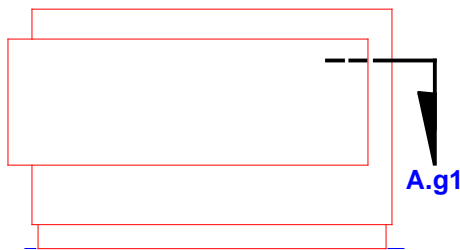
All Design Rights Reserved

Customer: Ventura County Community College
Project: Oxnard College
Sign 'A' - Sign Panel Details
Product: Custom Monolithic Sign
In-Ground Mount, Non-Illuminated

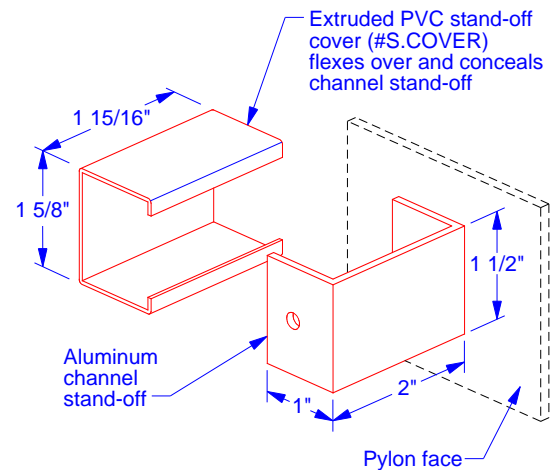
Date: 08/30/19
Drawn: RCB
Scale: As Shown
Coord.: EG
W.O.#: 467009



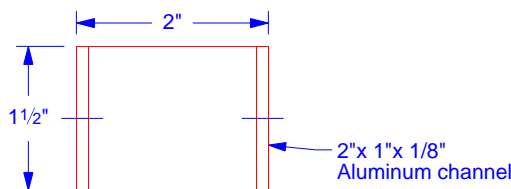
SECTION: "A.g1"
 Scale: 3/16"=1"
 (Stand-off covers not shown)



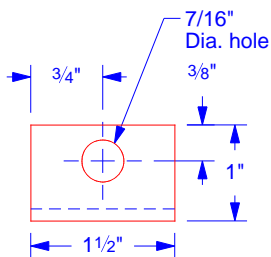
FRONT VIEW
 Scale: 3/16"=1'-0"



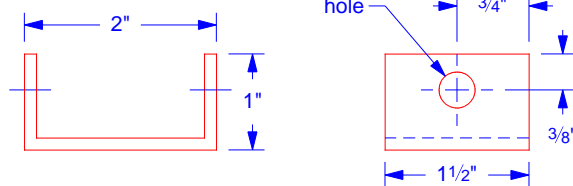
ISOMETRIC VIEW: STAND-OFF
 Scale: 3/8"=1"



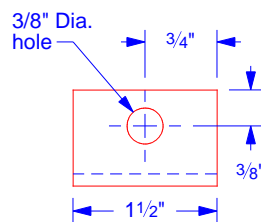
PLAN VIEW
 Scale: 1/2"=1"



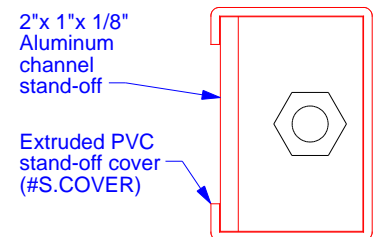
END VIEW
 Scale: 1/2"=1"
 (Sign panel side)



CHANNEL STAND-OFF
 Scale: 1/2"=1"
 (Qty. 8 per side)



END VIEW
 Scale: 1/2"=1"
 (Pylon side)



SECTION: "A.g2"
 Scale: 3/4"=1"

NOTES:

1. Refer to presentation drawing and/or work order for colors and graphics specifications.
2. Channel has smaller hole on the pylon side and larger hole on panel side.
3. To secure panels to pylon, channel stand-offs must be oriented as shown so welded studs are accessible.

Sign Type(s)
A

APPROVAL REQUIRED

BY: _____
 DATE: _____



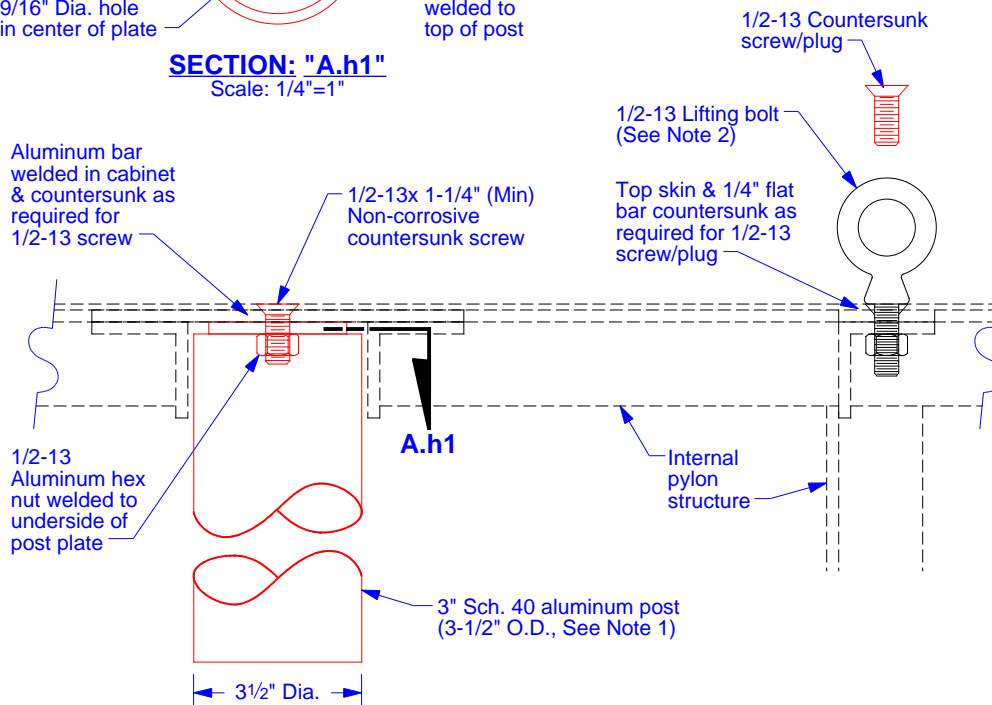
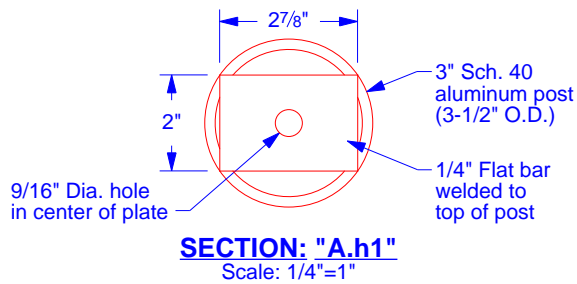
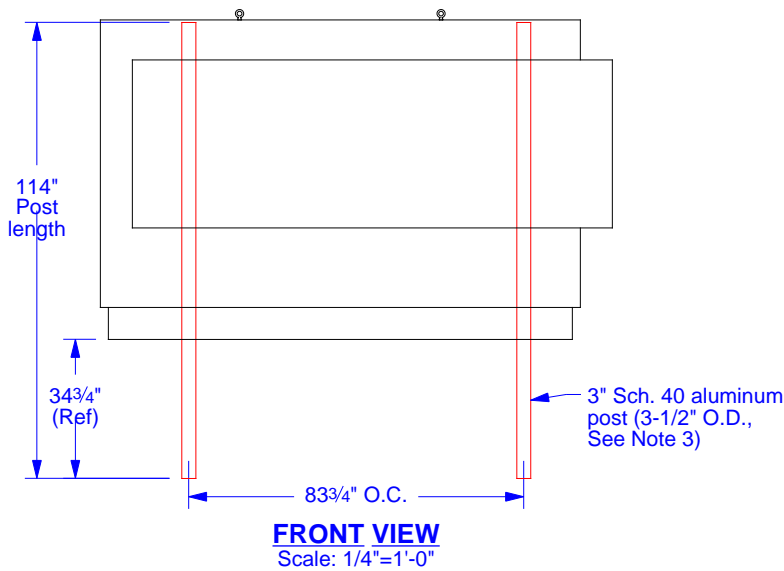
Atlanta, Georgia USA • Phone: (404) 688-9000 • Web: www.apcosigns.com

All Design Rights Reserved

Customer: Ventura County Community College
 Project: Oxnard College
 Sign 'A' - Stand-off Details
 Product: Custom Monolithic Sign
 In-Ground Mount, Non-Illuminated

Date: 08/30/19
 Drawn: RCB
 Scale: As Shown
 Coord.: EG
 W.O.#: 467009

Sheet: A.g



NOTES:

1. Posts are epoxy primed and polyurethane coated. Installer attaches posts to sign prior to installation.
2. Once sign is installed, lifting bolts are removed and holes are capped with countersunk screws provided.

Sign Type(s)
A

APPROVAL REQUIRED BY: _____
DATE: _____



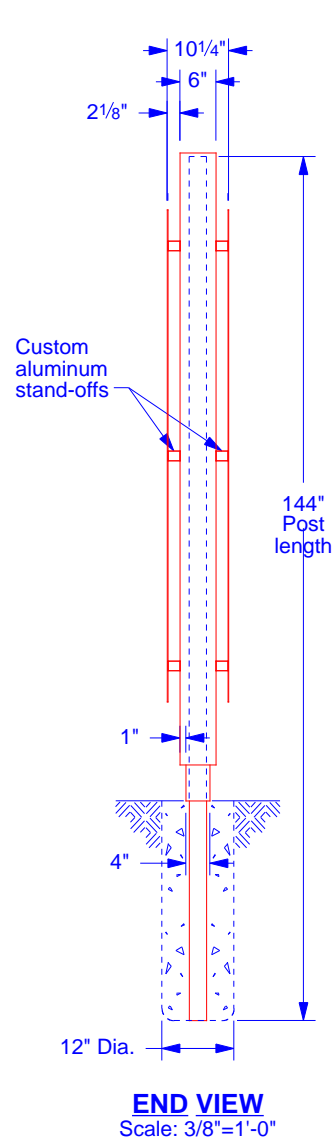
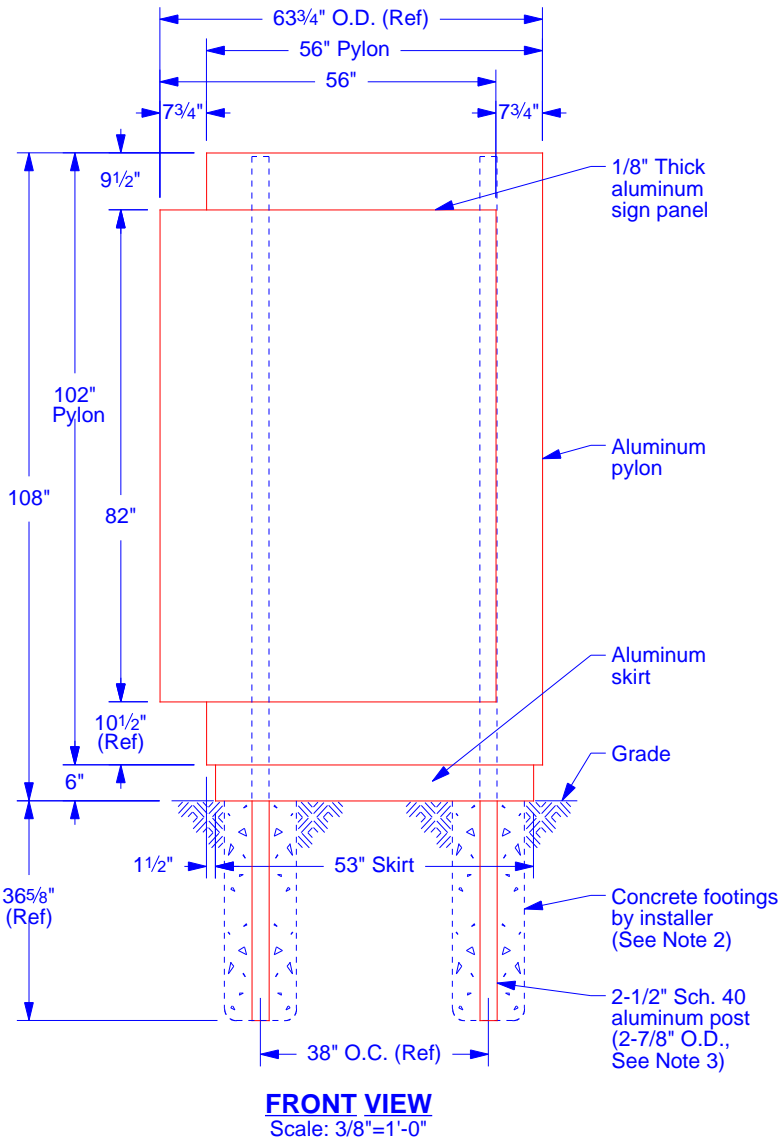
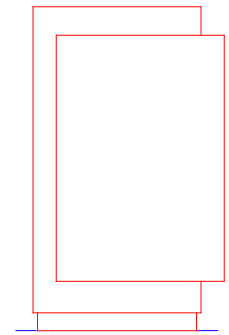
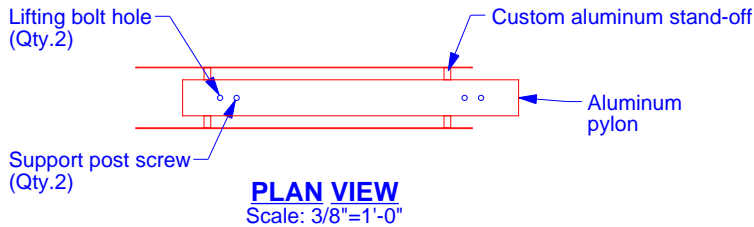
Atlanta, Georgia USA • Phone: (404) 688-9000 • Web: www.apcosigns.com

All Design Rights Reserved

Customer: Ventura County Community College
Project: Oxnard College
Sign 'A' - Support Post Details
Product: Custom Monolithic Sign
In-Ground Mount, Non-Illuminated

Date: 08/30/19
Drawn: RCB
Scale: As Shown
Coord.: EG
W.O.#: 467009

Sheet: A.h



NOTES:

1. Refer to presentation drawing and/or work order for colors and graphics specifications.
2. Footings shown are for reference only. Actual design and installation is by qualified persons based on local codes and geographic practices.
3. Posts are epoxy primed and polyurethane coated. Installer attaches posts to sign prior to installation.

Sign Type(s)
B1

APPROVAL REQUIRED BY: _____
DATE: _____

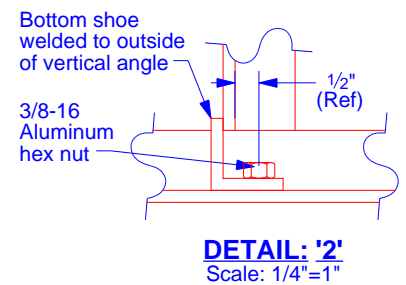
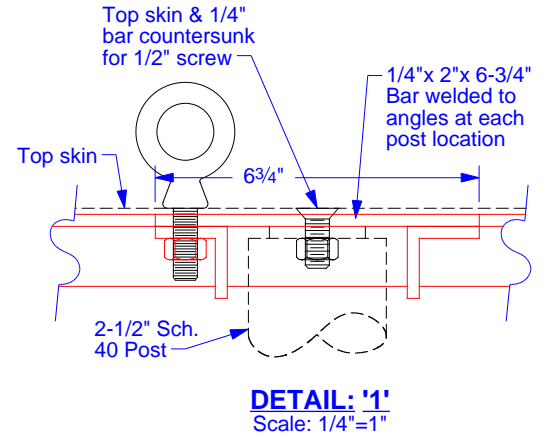
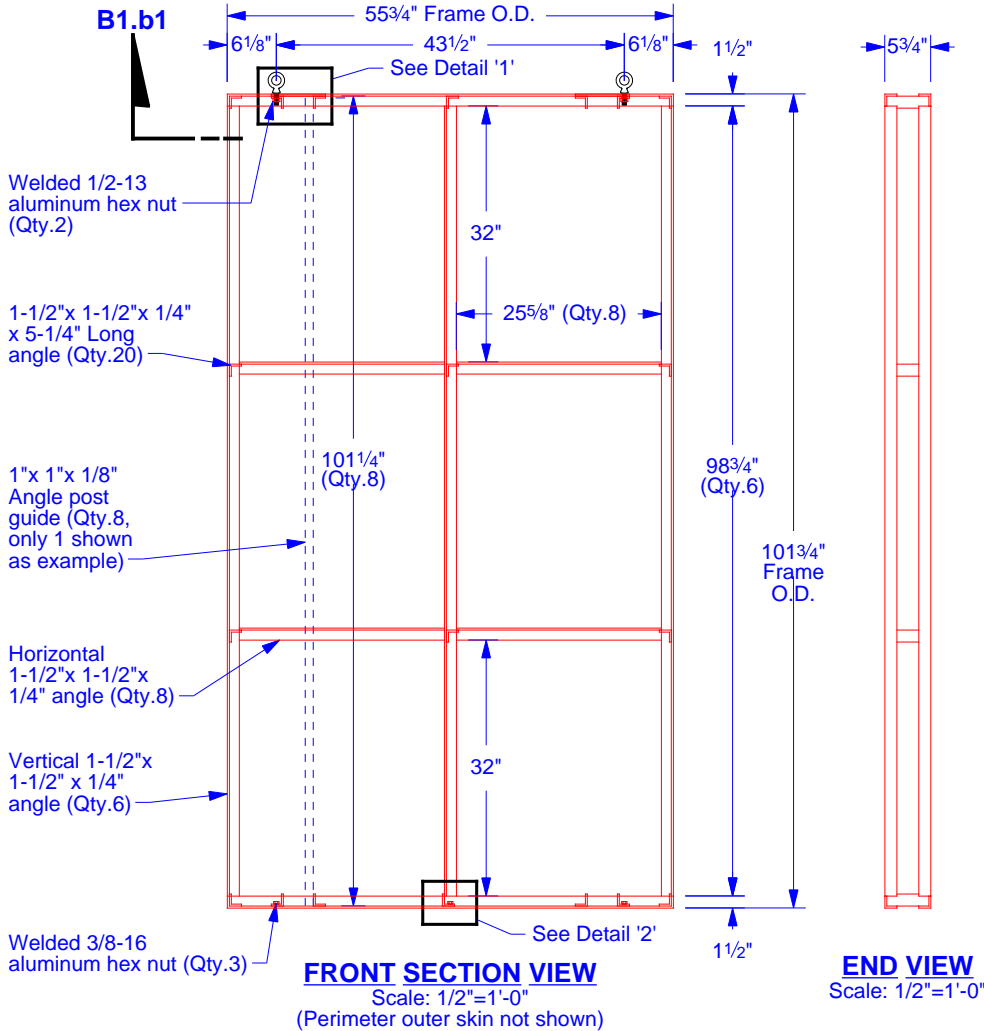
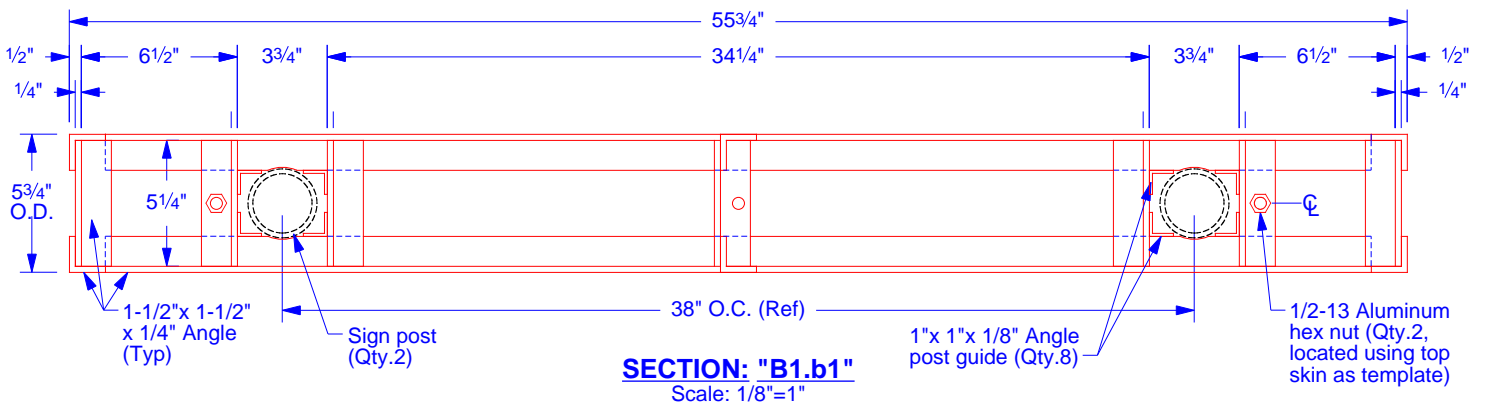


Atlanta, Georgia USA • Phone: (404) 688-9000 • Web: www.apcosigns.com

All Design Rights Reserved

Customer: Ventura County Community College
Project: Oxnard College
Sign 'B1' - Elevation Views
Product: Custom Monolithic Sign
In-Ground Mount, Non-Illuminated

Date: 08/30/19
Drawn: RCB
Scale: As Shown
Coord.: EG
W.O.#: 467009



NOTES:

1. Refer to presentation drawing and/or work order for colors and graphics specifications.
2. Bottom center angle (shoe) is welded to outside of vertical center angle to align with center hole in bottom skin and skirt.
3. Once sign is installed, lifting bolts are removed and holes are capped with countersunk screws provided.

Sign Type(s)
B1

APPROVAL REQUIRED BY: _____ DATE: _____



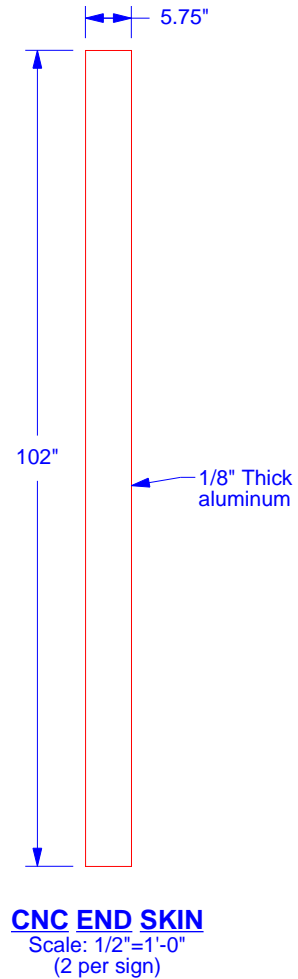
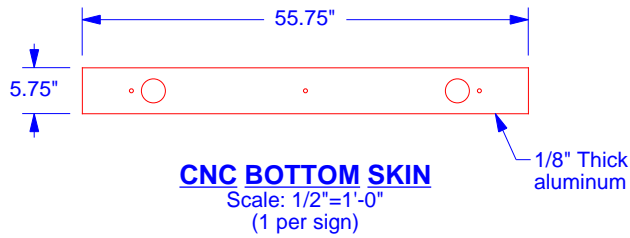
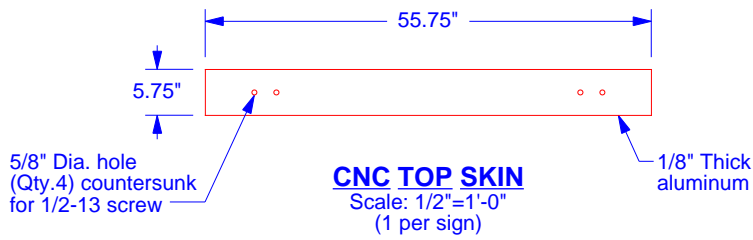
Atlanta, Georgia USA • Phone: (404) 688-9000 • Web: www.apcosigns.com

All Design Rights Reserved

Customer: Ventura County Community College
Project: Oxnard College
Sign 'B1' - Pylon Details
Product: Custom Monolithic Sign
In-Ground Mount, Non-Illuminated

Date: 08/30/19
Drawn: RCB
Scale: As Shown
Coord.: EG
W.O.#: 467009

Sheet: B1.b



NOTES:

1. Outer skins are CNC cut out of 1/8" thick aluminum.

Sign Type(s)
B1

APPROVAL REQUIRED BY: _____
DATE: _____

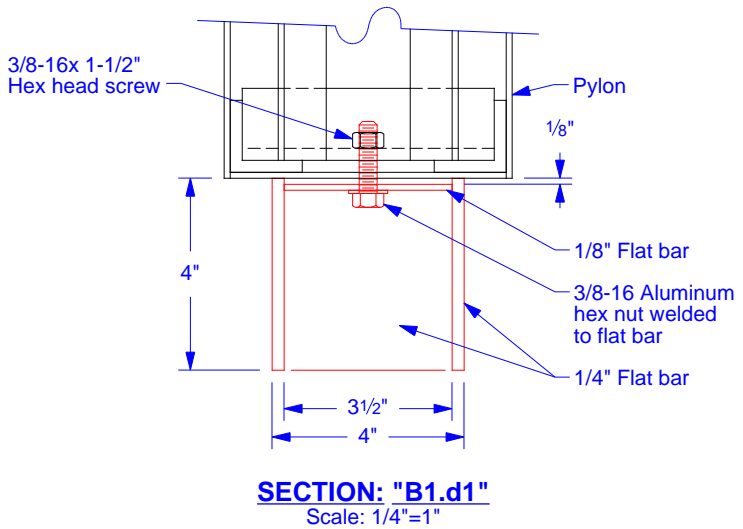
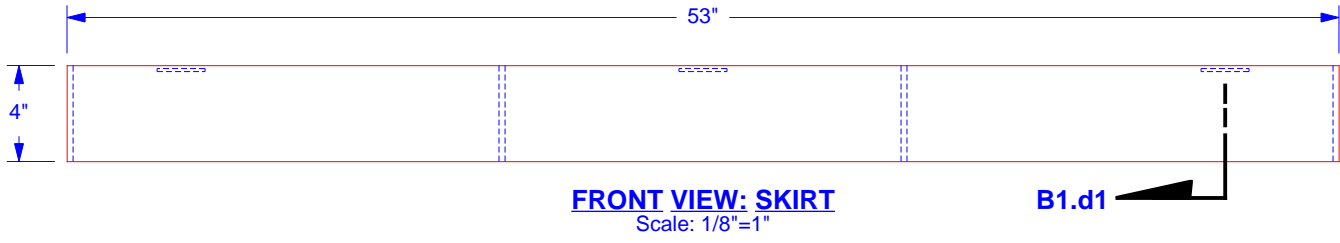
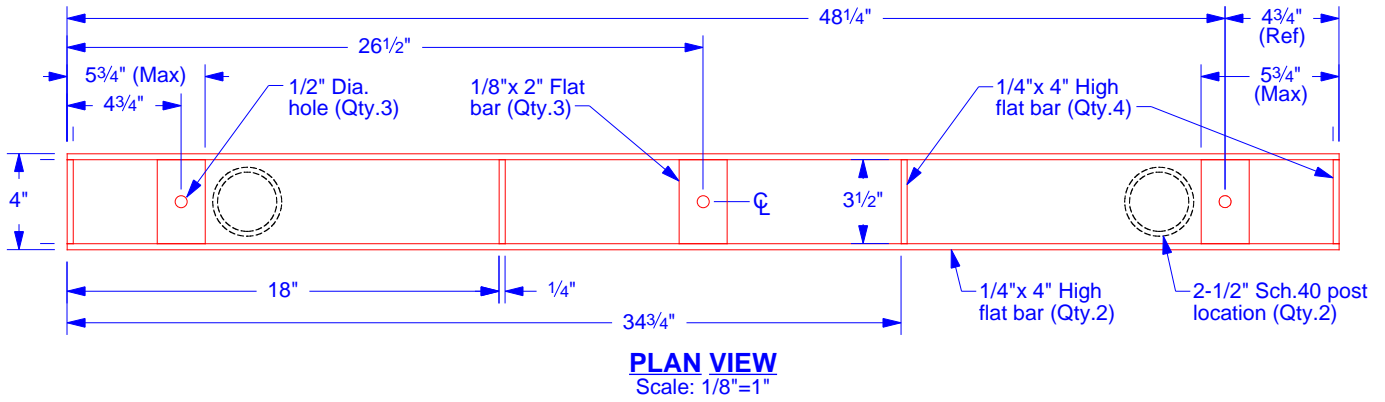


Atlanta, Georgia USA • Phone: (404) 688-9000 • Web: www.apcosigns.com

All Design Rights Reserved

Customer: Ventura County Community College
Project: Oxnard College
Sign 'B1' - Pylon Outer Skin Details
Product: Custom Monolithic Sign
In-Ground Mount, Non-Illuminated

Date: 08/30/19
Drawn: RCB
Scale: As Shown
Coord.: EG
W.O.#: 467009



NOTES:

1. Refer to presentation drawing and/or work order for colors and graphics specifications.
2. Skirt is factory assembled to sign.

Sign Type(s)
B1

APPROVAL REQUIRED BY: _____
DATE: _____

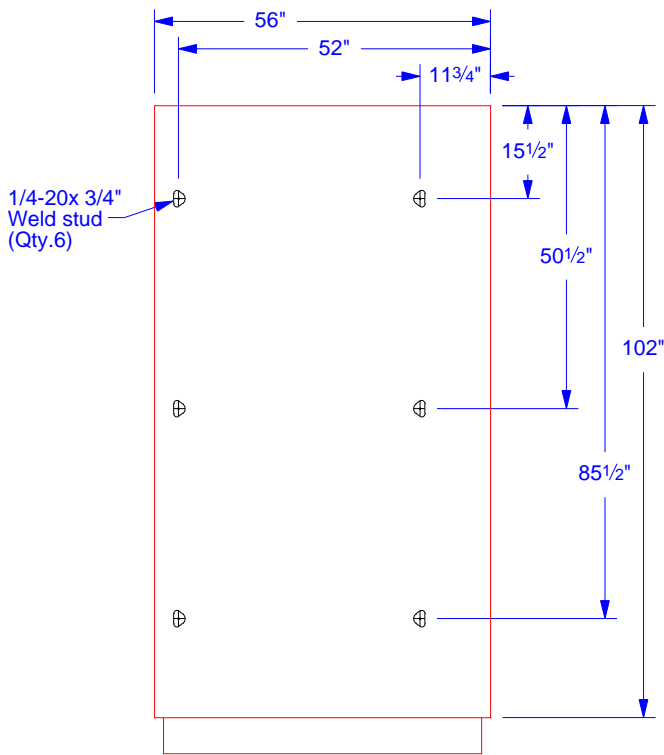


Atlanta, Georgia USA • Phone: (404) 688-9000 • Web: www.apcosigns.com

All Design Rights Reserved

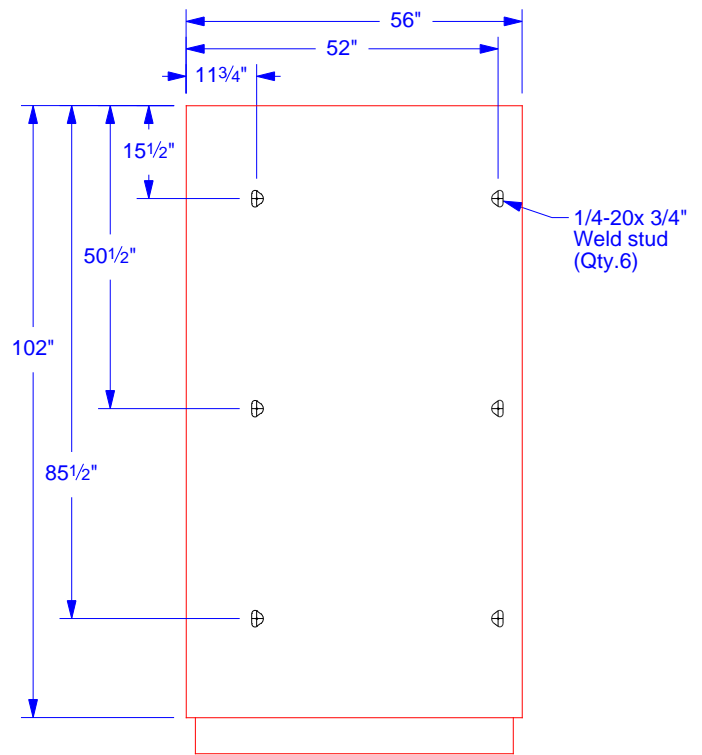
Customer: Ventura County Community College
Project: Oxnard College
Sign 'B1' - Skirt Details
Product: Custom Monolithic Sign
In-Ground Mount, Non-Illuminated

Date: 08/30/19
Drawn: RCB
Scale: As Shown
Coord.: EG
W.O.#: 467009



PYLON FRONT VIEW

Scale: 3/8"=1'-0"
(See Note 2)



PYLON BACK VIEW

Scale: 3/8"=1'-0"
(See Note 2)

NOTES:

1. Pylon faces are rough cut slightly taller and wider than pylon frame. Faces are bonded with Plexus AO 420 adhesive and routed to match pylon frame. Weld studs are located after faces are routed.
2. Stud locations in pylon Faces 'A' and 'B' are mirrored.

Sign Type(s)
B1

**APPROVAL
REQUIRED**

BY: _____
DATE: _____

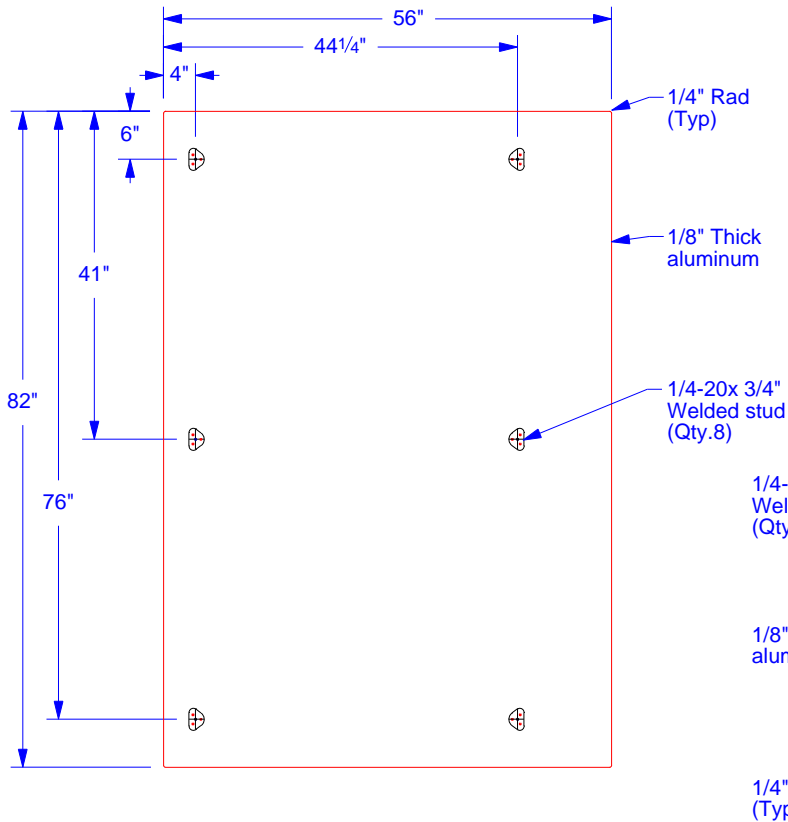


Atlanta, Georgia USA • Phone: (404) 688-9000 • Web: www.apcosigns.com

All Design Rights Reserved

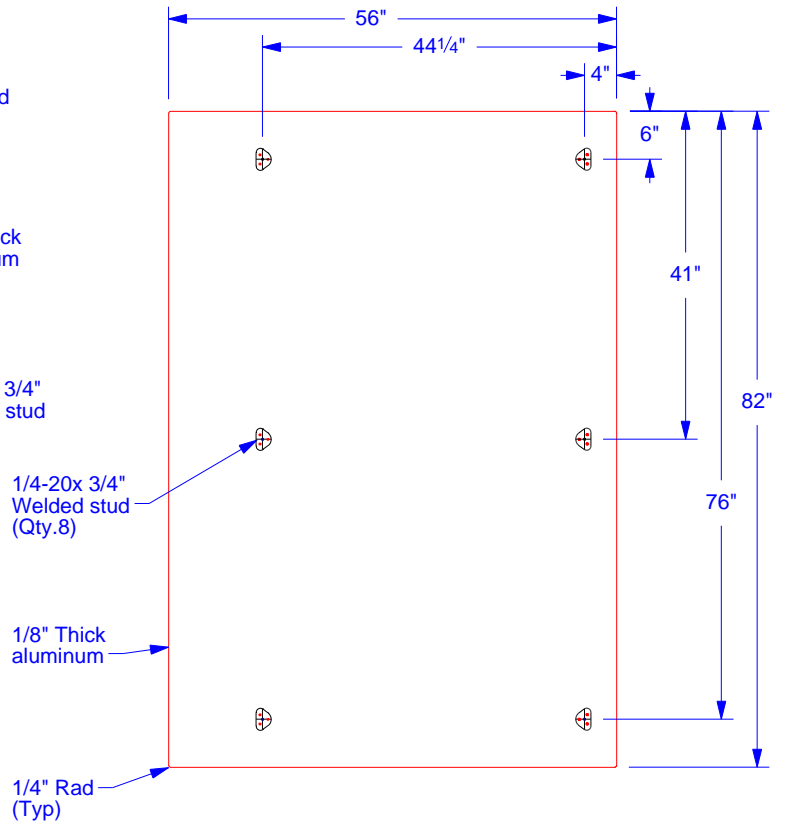
Customer: Ventura County Community College
Project: Oxnard College
Sign 'B1' - Pylon Stud Locations
Product: Custom Monolithic Sign
In-Ground Mount, Non-Illuminated

Date: 08/30/19
Drawn: RCB
Scale: As Shown
Coord.: EG
W.O.#: 467009



BACK VIEW: SIGN PANEL SIDE 'A'

Scale: 1/2"=1'-0"
(Qty.1, See Note 2)



BACK VIEW: SIGN PANEL SIDE 'B'

Scale: 1/2"=1'-0"
(Qty.1, See Note 2)

NOTES:

1. Refer to presentation drawing and/or work order for colors and graphics specifications.
2. Stud locations in panel Sides 'A' and 'B' are mirrored.

Sign Type(s)
B1

**APPROVAL
REQUIRED**

BY: _____
DATE: _____



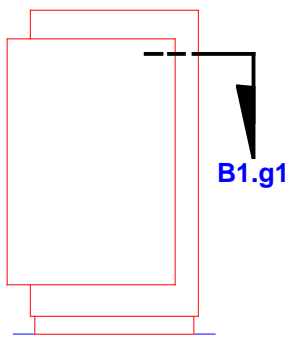
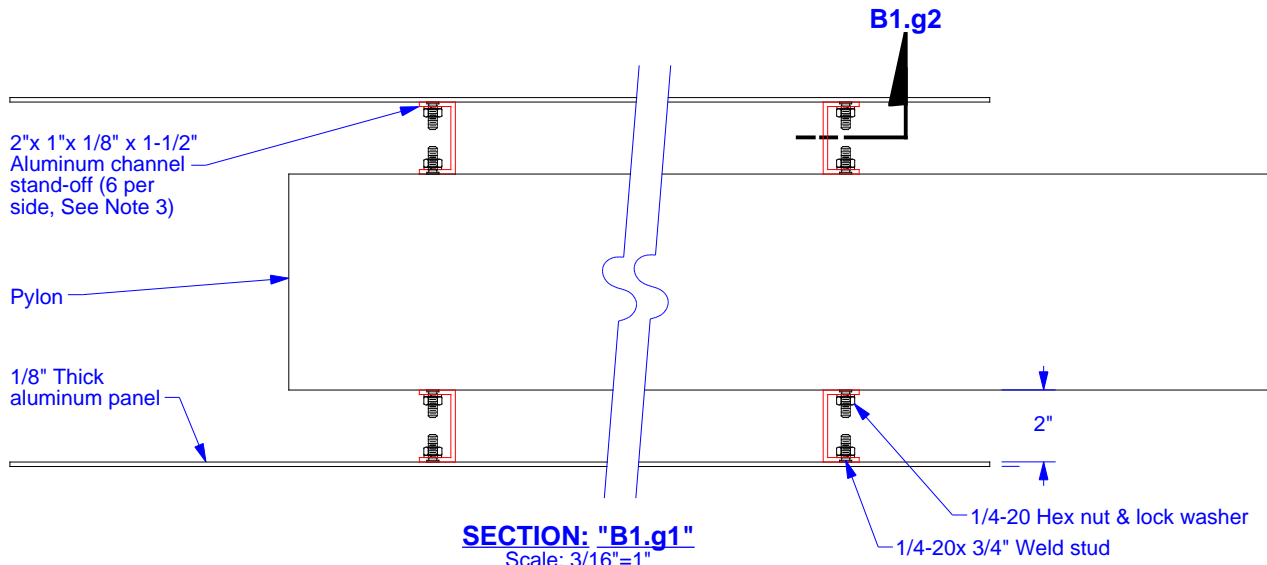
Atlanta, Georgia USA • Phone: (404) 688-9000 • Web: www.apcosigns.com

All Design Rights Reserved

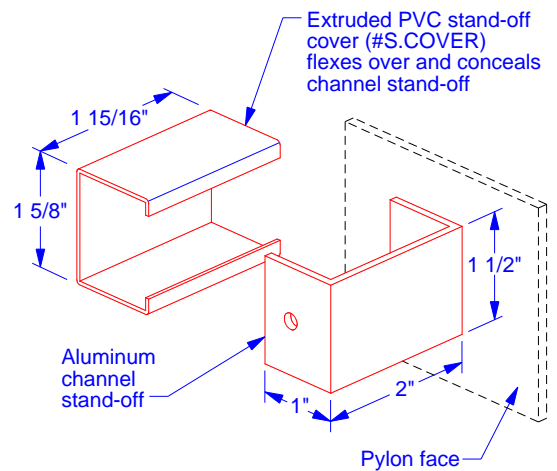
Customer: Ventura County Community College
Project: Oxnard College
Sign 'B1' - Sign Panel Details
Product: Custom Monolithic Sign
In-Ground Mount, Non-Illuminated

Date: 08/30/19
Drawn: RCB
Scale: As Shown
Coord.: EG
W.O.#: 467009

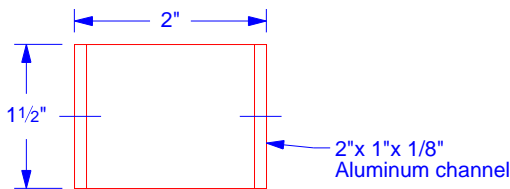
Sheet: B1.f



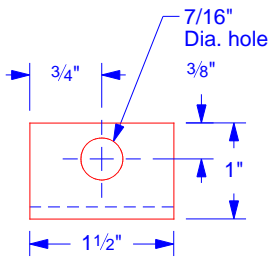
FRONT VIEW
Scale: 3/16"=1'-0"



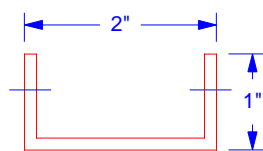
ISOMETRIC VIEW: STAND-OFF
Scale: 3/8"=1"



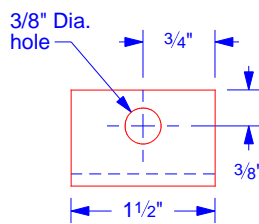
PLAN VIEW
Scale: 1/2"=1"



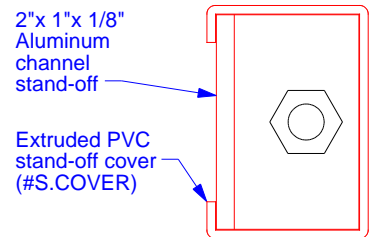
END VIEW
Scale: 1/2"=1"
(Sign panel side)



CHANNEL STAND-OFF
Scale: 1/2"=1"
(Qty.6 per side)



END VIEW
Scale: 1/2"=1"
(Pylon side)



SECTION: "B1.g2"
Scale: 3/4"=1"

Sign Type(s)
B1

NOTES:

1. Refer to presentation drawing and/or work order for colors and graphics specifications.
2. Channel has smaller hole on the pylon side and larger hole on panel side.
3. To secure panels to pylon, channel stand-offs must be oriented as shown so welded studs are accessible.

APPROVAL REQUIRED

BY: _____
DATE: _____

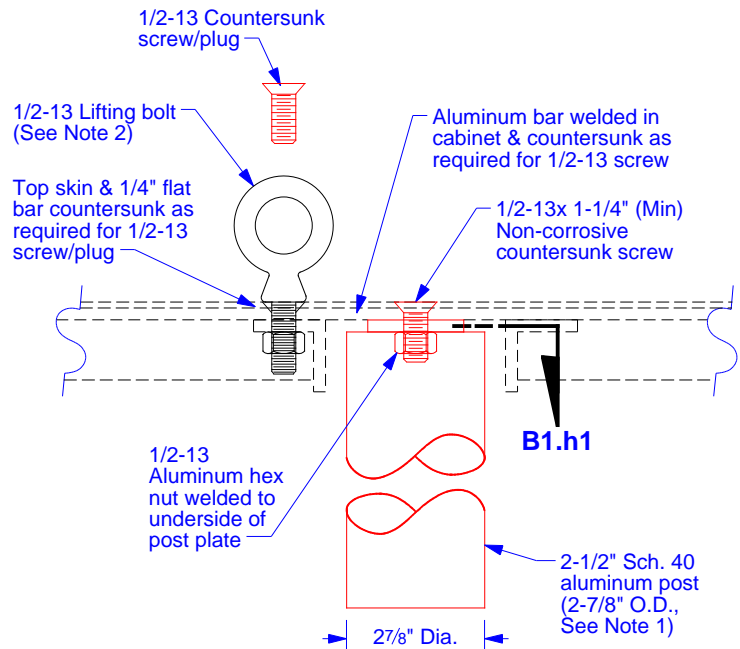
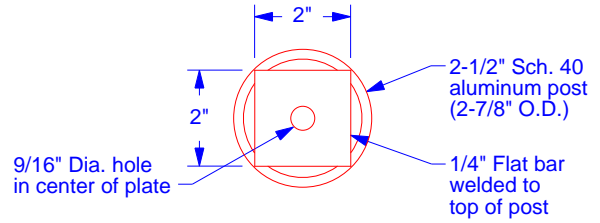
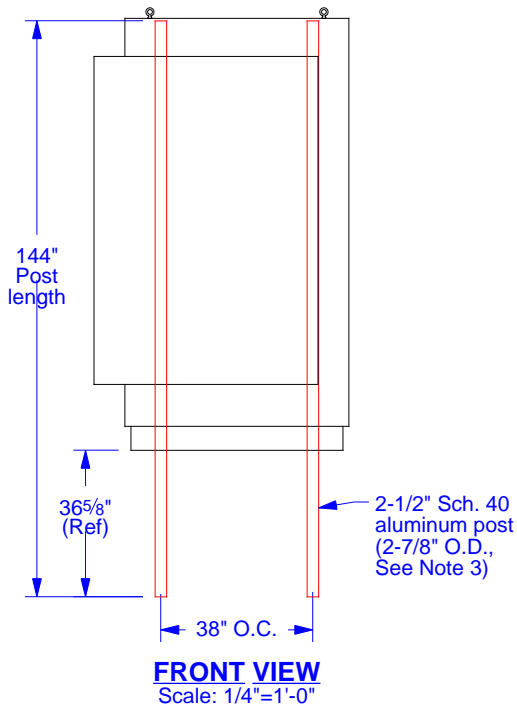


Atlanta, Georgia USA • Phone: (404) 688-9000 • Web: www.apcosigns.com

All Design Rights Reserved

Customer: Ventura County Community College
Project: Oxnard College
Sign 'B1' - Stand-off Details
Product: Custom Monolithic Sign
In-Ground Mount, Non-Illuminated

Date: 08/30/19
Drawn: RCB
Scale: As Shown
Coord.: EG
W.O.#: 467009



NOTES:

1. Posts are epoxy primed and polyurethane coated. Installer attaches posts to sign prior to installation.
2. Once sign is installed, lifting bolts are removed and holes are capped with countersunk screws provided.

Sign Type(s)
B1

APPROVAL REQUIRED BY: _____
DATE: _____



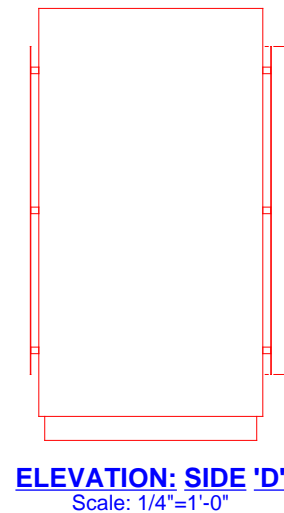
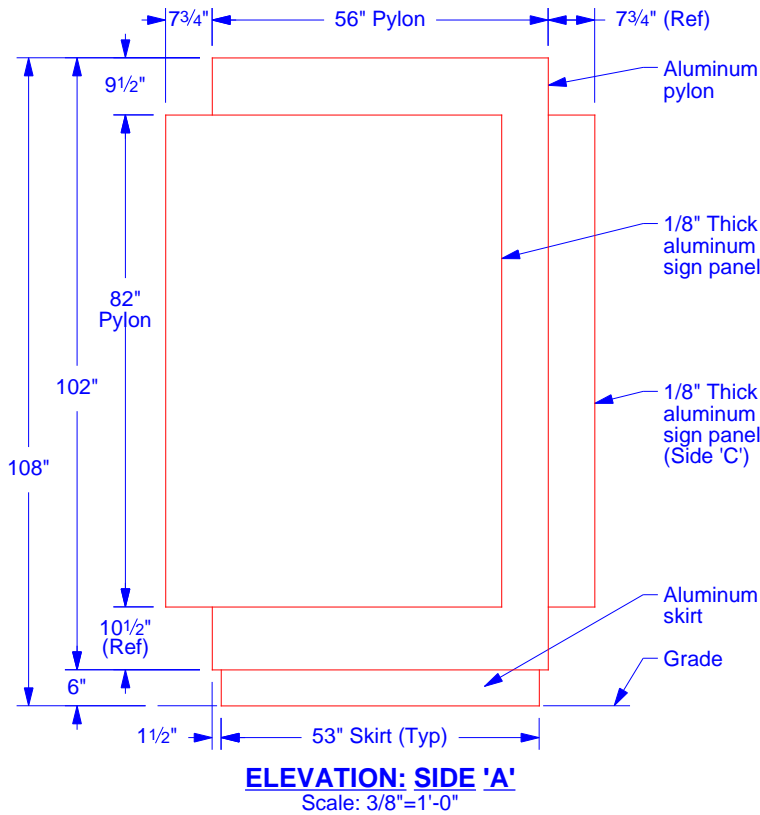
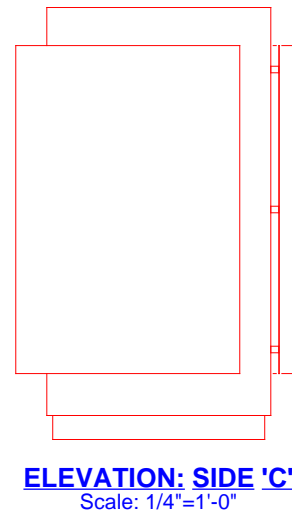
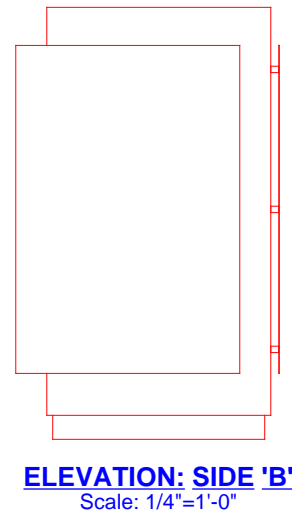
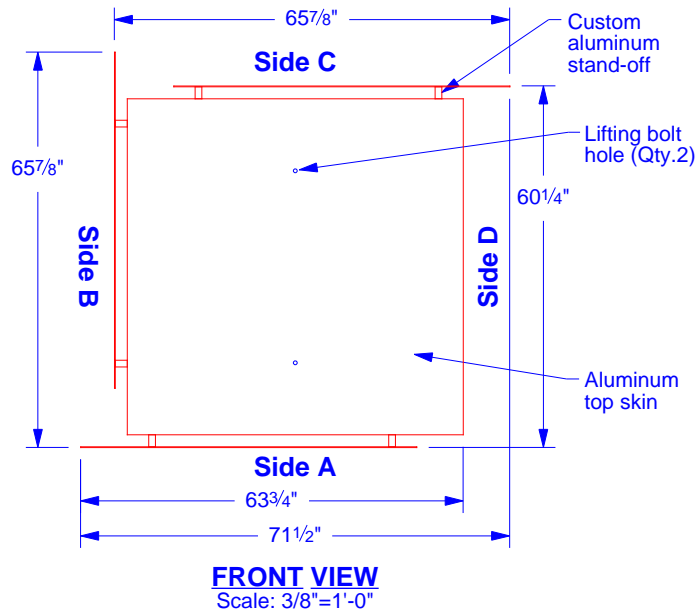
Atlanta, Georgia USA • Phone: (404) 688-9000 • Web: www.apcosigns.com

All Design Rights Reserved

Customer: Ventura County Community College
Project: Oxnard College
Sign 'B1' - Support Post Details
Product: Custom Monolithic Sign
In-Ground Mount, Non-Illuminated

Date: 08/30/19
Drawn: RCB
Scale: As Shown
Coord.: EG
W.O.#: 467009

Sheet: B1.h



NOTES:

1. Refer to presentation drawing and/or work order for colors and graphics specifications.
2. Footings shown are for reference only. Actual design and installation is by qualified persons based on local codes and geographic practices.
3. Posts are epoxy primed and polyurethane coated. Installer attaches posts to sign prior to installation.

Sign Type(s)
B2

APPROVAL REQUIRED BY: _____
DATE: _____

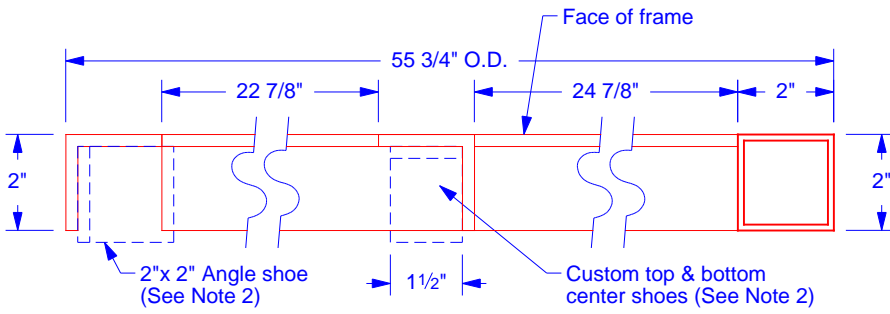


Atlanta, Georgia USA • Phone: (404) 688-9000 • Web: www.apcosigns.com

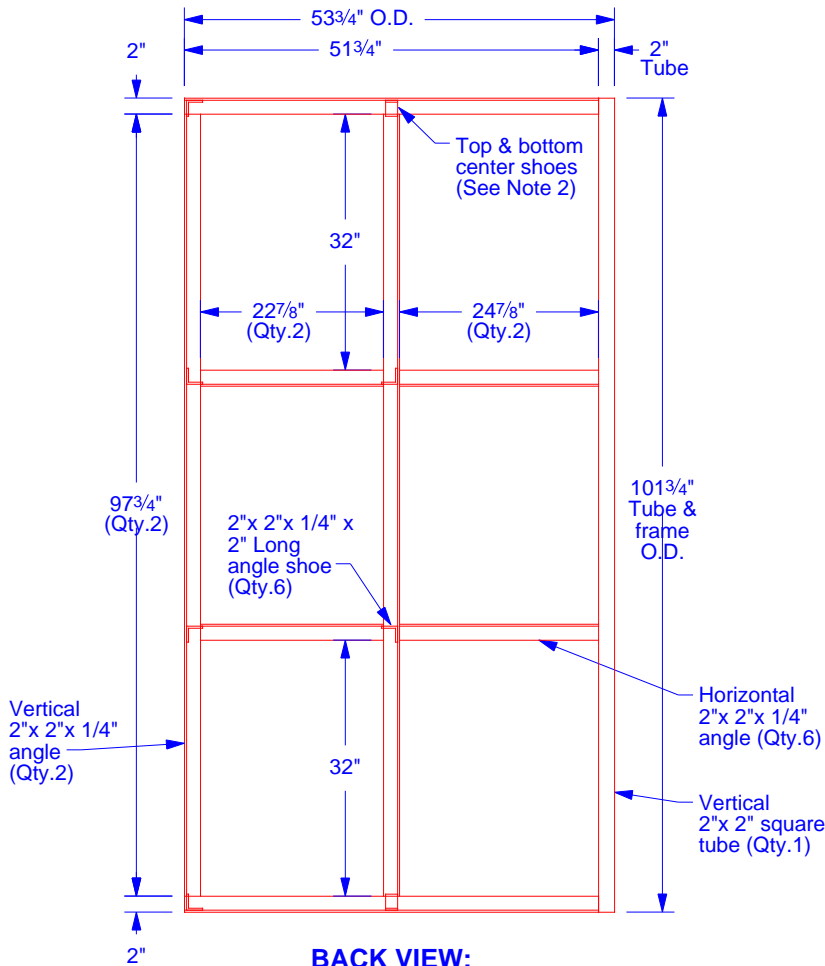
All Design Rights Reserved

Customer: Ventura County Community College
Project: Oxnard College
Sign 'B2' - Elevation Views
Product: Custom Monolithic Sign
In-Ground Mount, Non-Illuminated

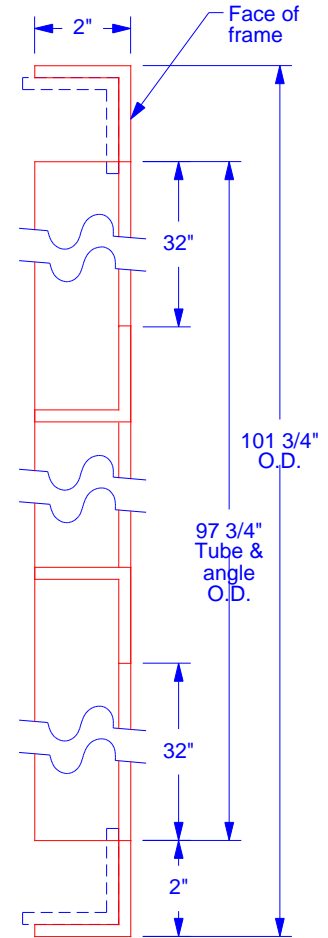
Date: 09/03/19
Drawn: RCB
Scale: As Shown
Coord.: EG
W.O.#: 467009



PLAN SECTION
Scale: 1/4"=1"



**BACK VIEW:
FRAMES 'A', 'C' & 'D'**
Scale: 1/2"=1'-0"
(Aluminum face not shown)



SIDE SECTION
Scale: 1/4"=1"

NOTES:

1. Refer to presentation drawing and/or work order for colors and graphics specifications.
2. Top and bottom center shoes are 1-1/2" long to fit between opposing angles on Sides 'A' and 'C'.
3. Once sign is installed, lifting bolts are removed and holes are capped with countersunk screws provided.

Sign Type(s)
B2

APPROVAL REQUIRED BY: _____
DATE: _____

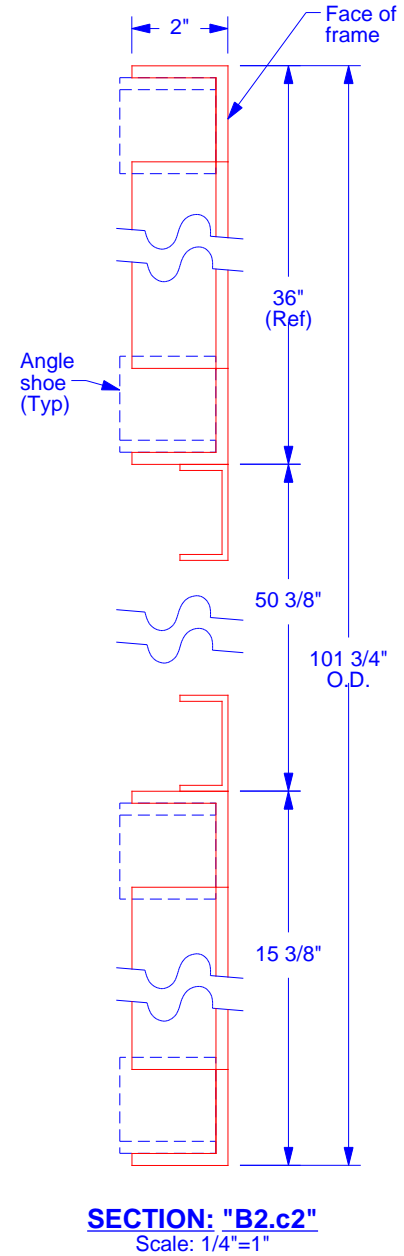
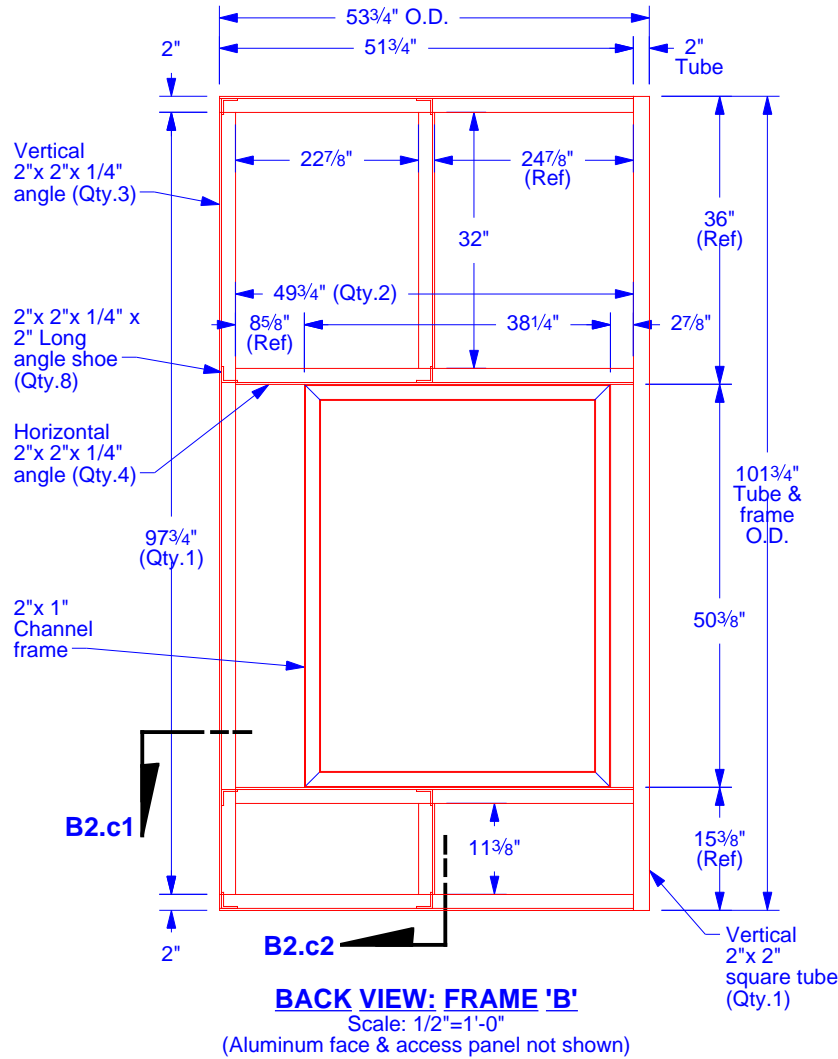
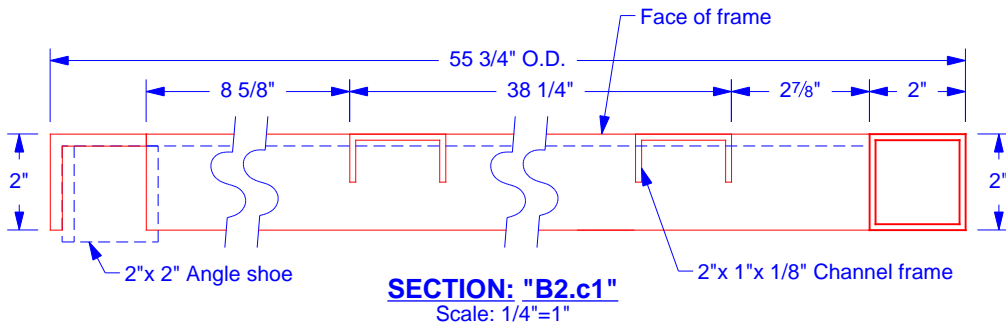


Atlanta, Georgia USA • Phone: (404) 688-9000 • Web: www.apcosigns.com

All Design Rights Reserved

Customer: Ventura County Community College
Project: Oxnard College
Sign 'B2' - Pylon Frames 'A', 'C' & 'D'
Product: Custom Monolithic Sign
In-Ground Mount, Non-Illuminated

Date: 09/03/19
Drawn: RCB
Scale: As Shown
Coord.: EG
W.O.#: 467009



NOTES:

1. Refer to presentation drawing and/or work order for colors and graphics specifications.
2. Top and bottom center shoes are 1-1/2" long to fit between opposing angles on Sides 'A' and 'C'.
3. Once sign is installed, lifting bolts are removed and holes are capped with countersunk screws provided.

Sign Type(s)
B2

APPROVAL REQUIRED BY: _____
DATE: _____

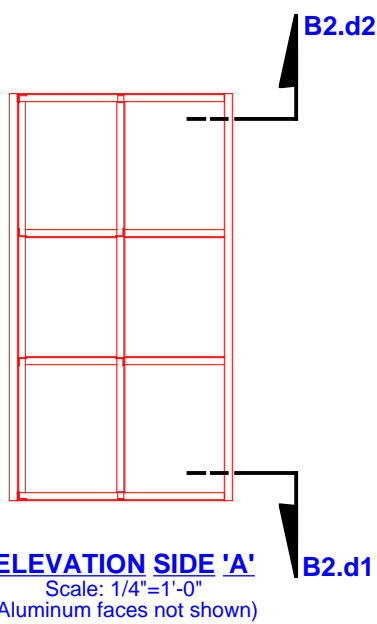
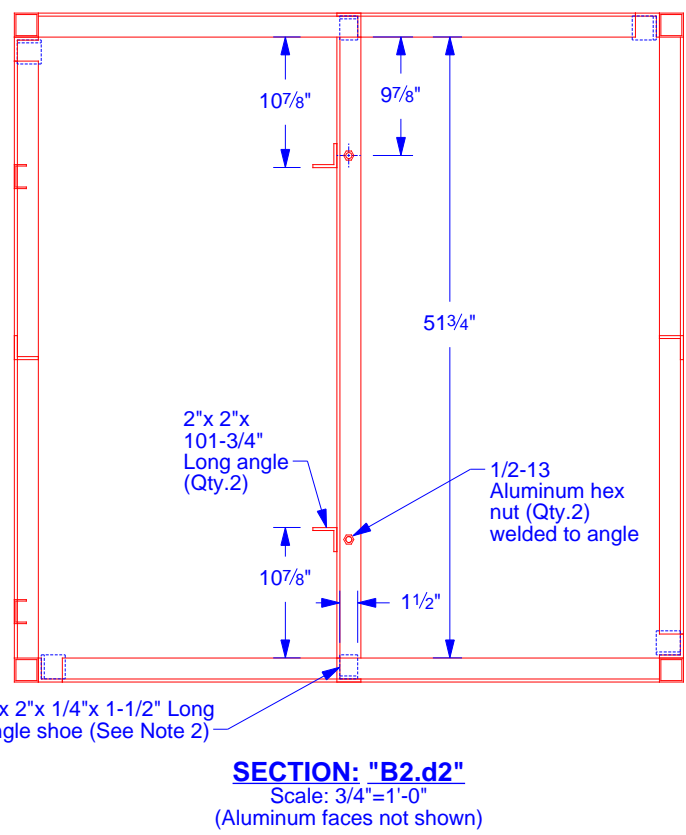
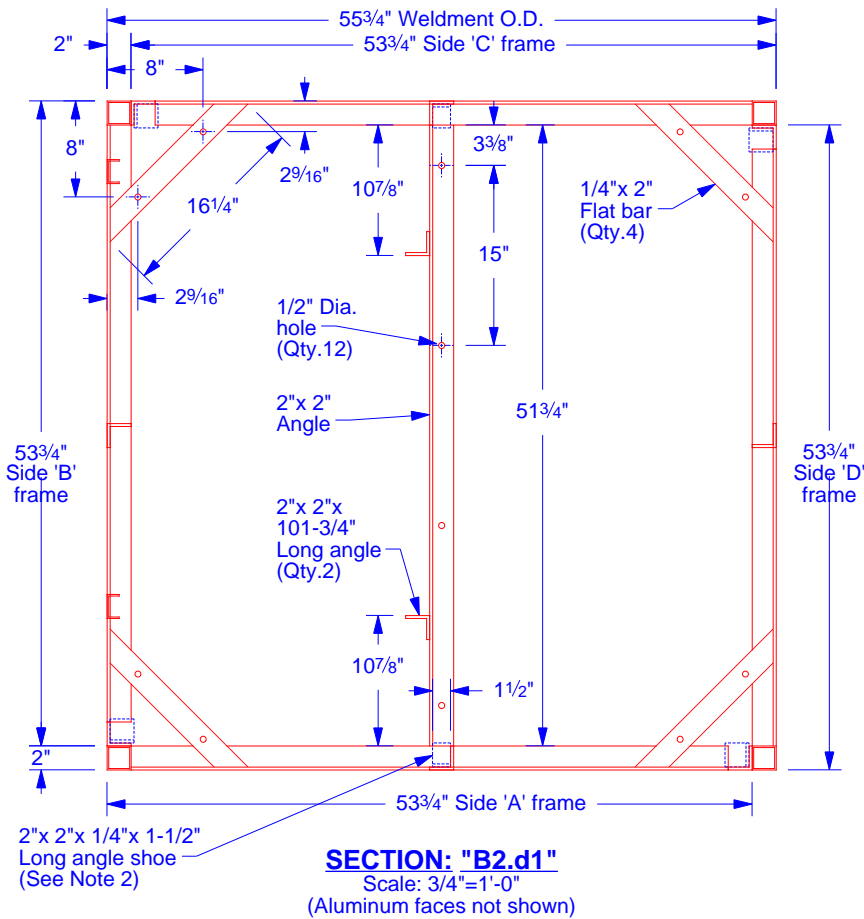


Atlanta, Georgia USA • Phone: (404) 688-9000 • Web: www.apcosigns.com

All Design Rights Reserved

Customer: Ventura County Community College
Project: Oxnard College
Sign 'B2' - Pylon Frame 'B'
Product: Custom Monolithic Sign
In-Ground Mount, Non-Illuminated

Date: 09/03/19
Drawn: RCB
Scale: As Shown
Coord.: EG
W.O.#: 467009



Sign Type(s)
B2

- NOTES:**
1. Refer to presentation drawing and/or work order for colors and graphics specifications.
 2. Top and bottom center shoes are 1-1/2" long to fit between opposing angles on Sides 'A' and 'C'.

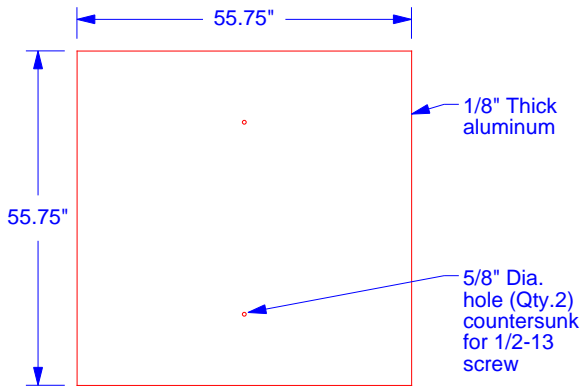
APPROVAL REQUIRED BY: _____
DATE: _____



Atlanta, Georgia USA • Phone: (404) 688-9000 • Web: www.apcosigns.com All Design Rights Reserved

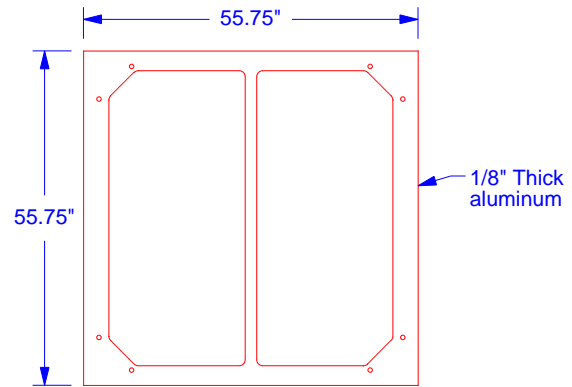
Customer: Ventura County Community College
Project: Oxnard College
Sign 'B2' - Pylon Weldment
Product: Custom Monolithic Sign
In-Ground Mount, Non-Illuminated

Date: 09/03/19
Drawn: RCB
Scale: As Shown
Coord.: EG
W.O.#: 467009



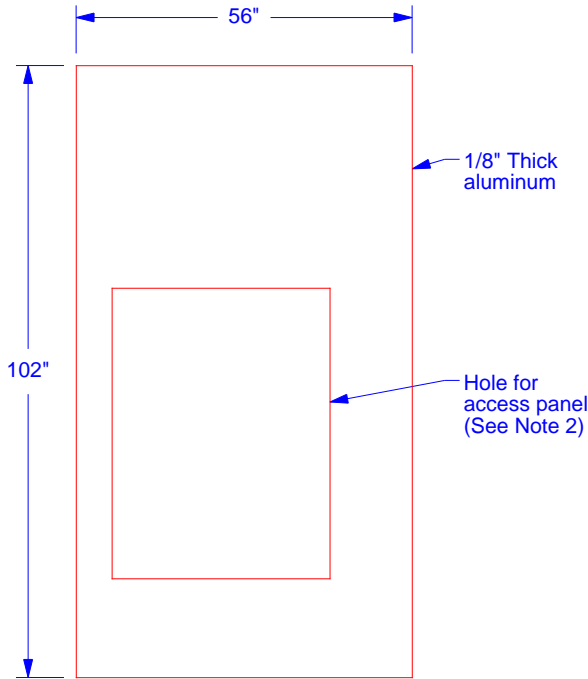
CNC TOP PLATE

Scale: 3/8"=1'-0"
(1 per sign)



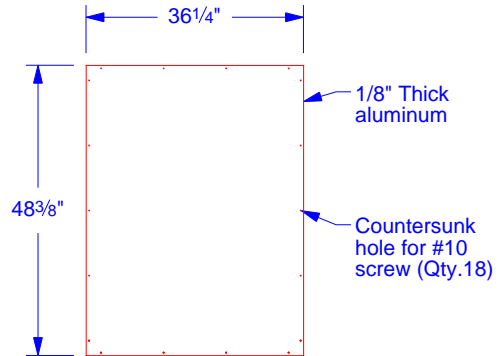
CNC BOTTOM PLATE

Scale: 3/8"=1'-0"
(1 per sign)



CNC BOTTOM PLATE

Scale: 3/8"=1'-0"
(1 per sign)



CNC BOTTOM PLATE

Scale: 3/8"=1'-0"
(1 per sign)

Sign Type(s)
B2

NOTES:

1. Aluminum faces and plates are CNC cut out of 1/8" thick aluminum.

**APPROVAL
REQUIRED**

BY: _____
DATE: _____

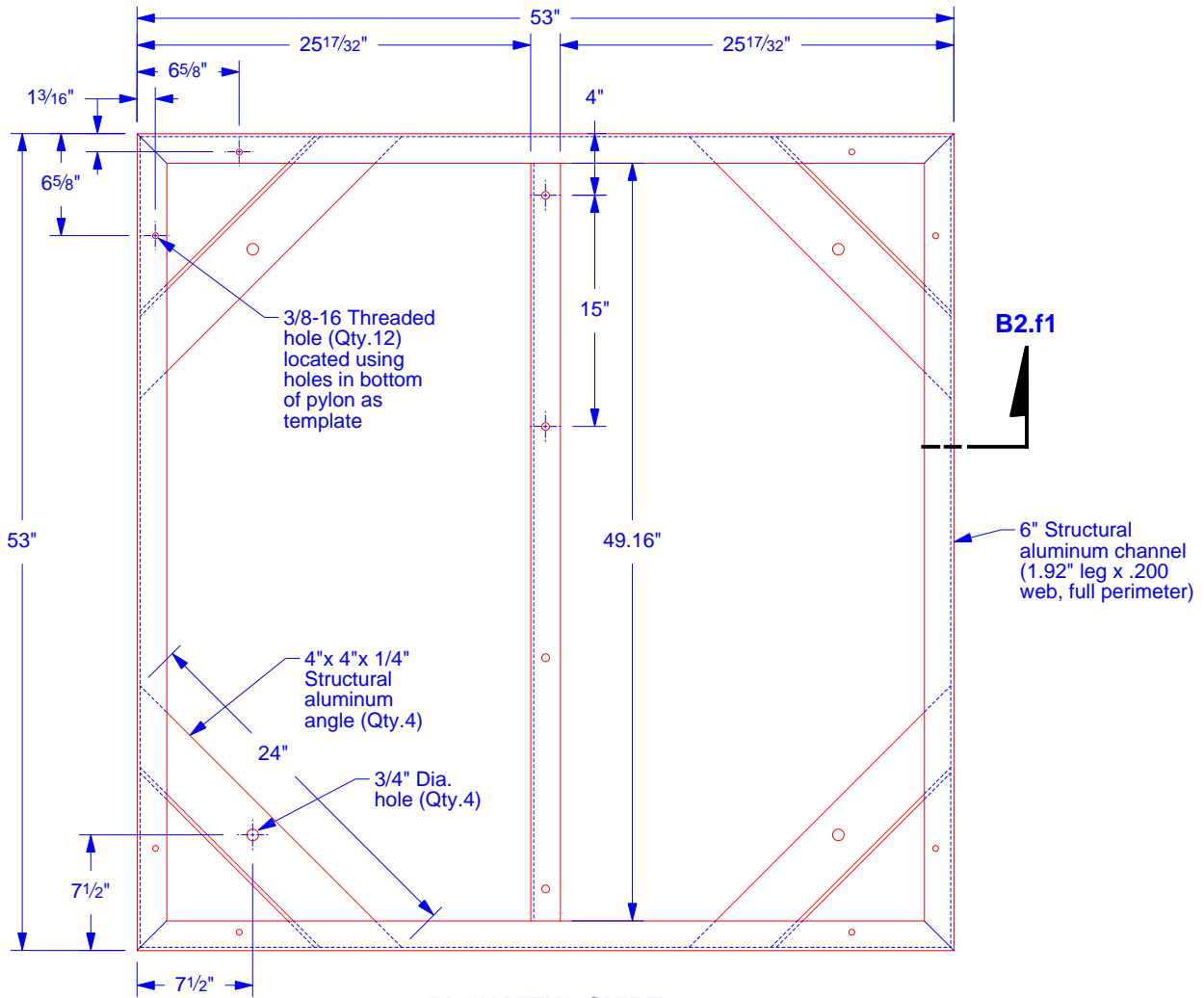


Atlanta, Georgia USA • Phone: (404) 688-9000 • Web: www.apcosigns.com

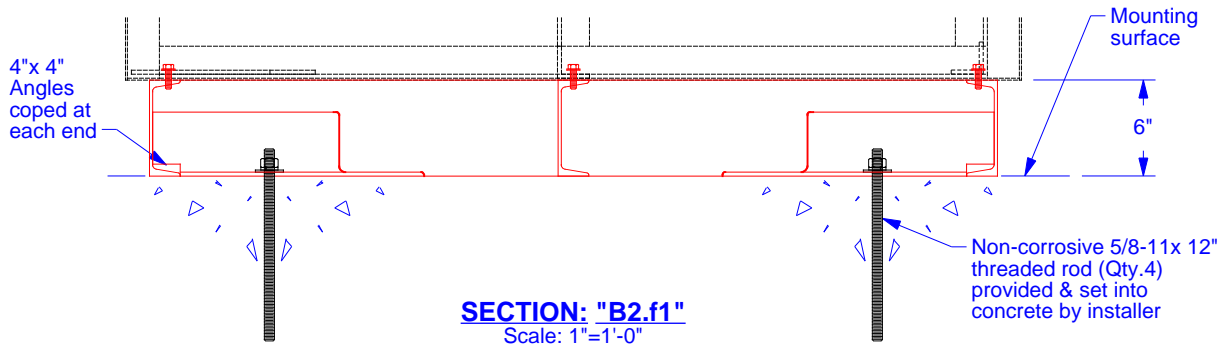
All Design Rights Reserved

Customer: Ventura County Community College
Project: Oxnard College
Sign 'B2' - CNC Components
Product: Custom Monolithic Sign
In-Ground Mount, Non-Illuminated

Date: 09/03/19
Drawn: RCB
Scale: As Shown
Coord.: EG
W.O.#: 467009



PLAN VIEW: SKIRT
Scale: 1"=1'-0"



SECTION: "B2.f1"
Scale: 1"=1'-0"

Sign Type(s)
B2

NOTES:

1. Refer to presentation drawing and/or work order for colors and graphics specifications.
2. Skirt is factory assembled to sign.
3. Installer accesses mounting holes thru access panel located behind sign panel on Side 'B'.

APPROVAL REQUIRED BY: _____
DATE: _____

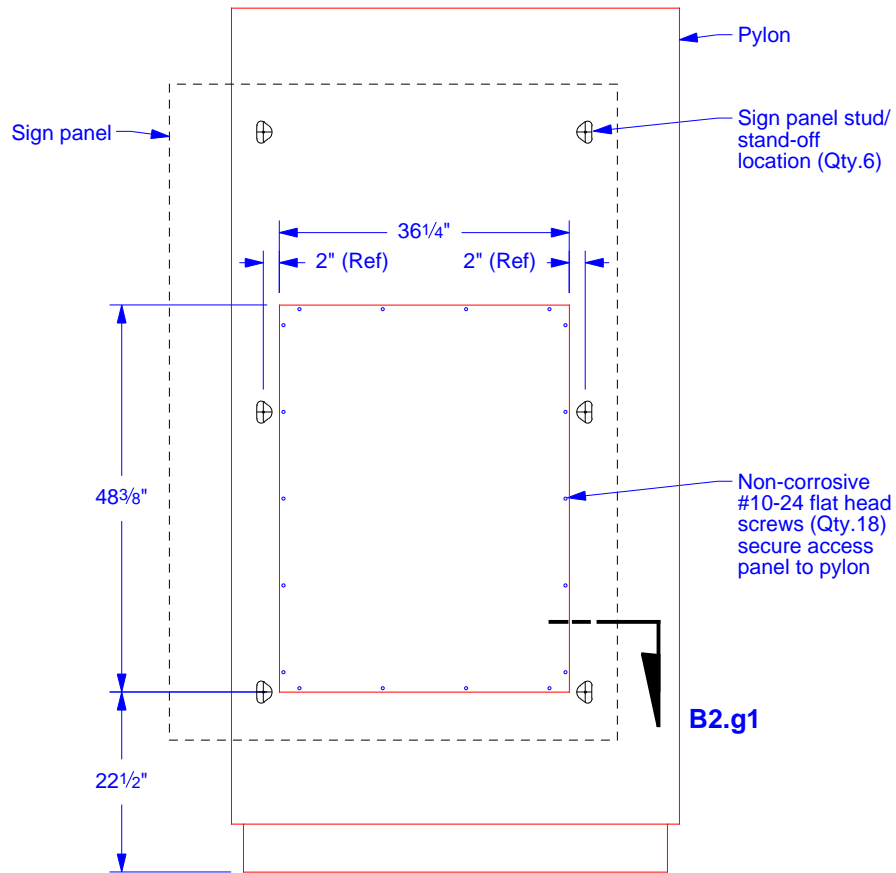
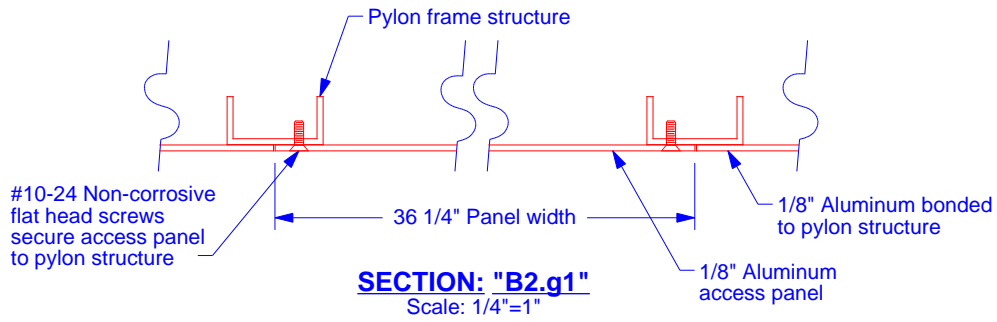


Atlanta, Georgia USA • Phone: (404) 688-9000 • Web: www.apcosigns.com

All Design Rights Reserved

Customer: Ventura County Community College
Project: Oxnard College
Sign 'B2' - Skirt Details
Product: Custom Monolithic Sign
In-Ground Mount, Non-Illuminated

Date: 09/03/19
Drawn: RCB
Scale: As Shown
Coord.: EG
W.O.#: 467009



PYLON SIDE 'B'
Scale: 1/2"=1'-0"

Sign Type(s)
B2

NOTES:

1. Refer to presentation drawing and/or work order for colors and graphics specifications.
2. Installer accesses mounting holes thru access panel located behind sign panel on Side 'B'.

APPROVAL REQUIRED BY: _____
DATE: _____



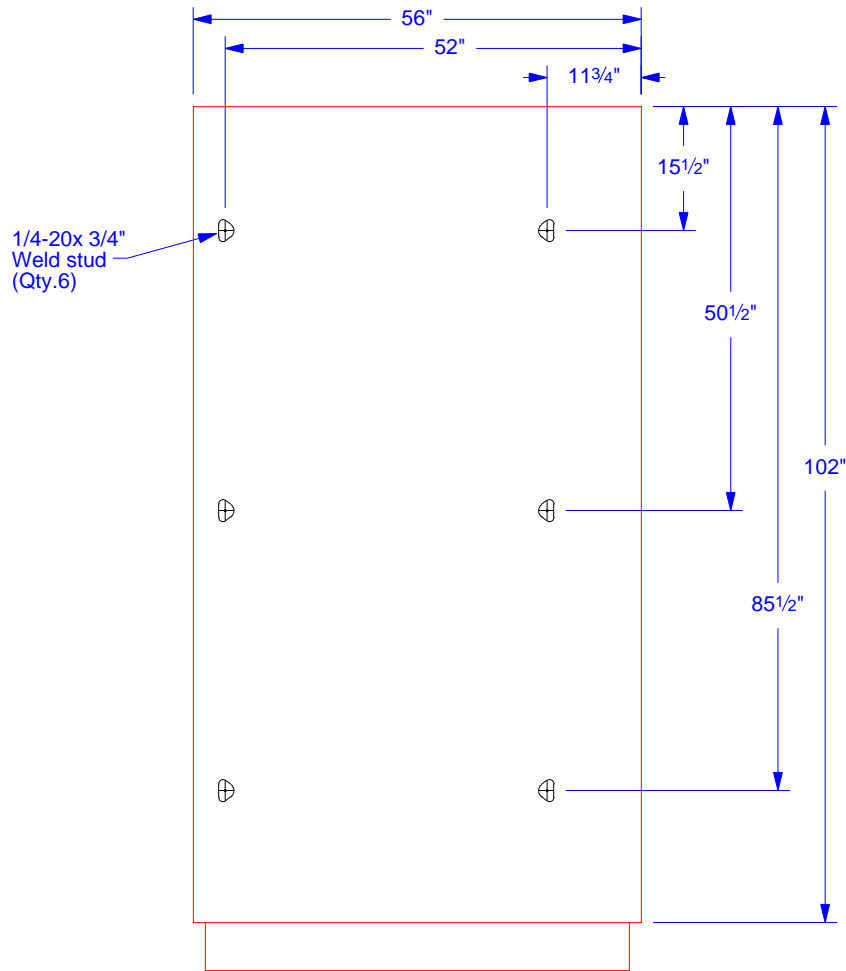
Atlanta, Georgia USA • Phone: (404) 688-9000 • Web: www.apcosigns.com

All Design Rights Reserved

Customer: Ventura County Community College
Project: Oxnard College
Sign 'B2' - Access Panel Details
Product: Custom Monolithic Sign
In-Ground Mount, Non-Illuminated

Date: 09/03/19
Drawn: RCB
Scale: As Shown
Coord.: EG
W.O.#: 467009

Sheet: B2.g



PYLON SIDES 'A', 'B' & 'C'

Scale: 1/2"=1'-0"
(See Notes 1 & 2)

NOTES:

1. Pylon faces are rough cut slightly taller and wider than pylon frame. Faces are bonded with Plexus AO 420 adhesive and routed to match pylon frame. Weld studs are located after faces are routed.
2. Stud locations are typical for Sides 'A', 'B' and 'C'.

Sign Type(s)
B2

APPROVAL REQUIRED BY: _____
DATE: _____



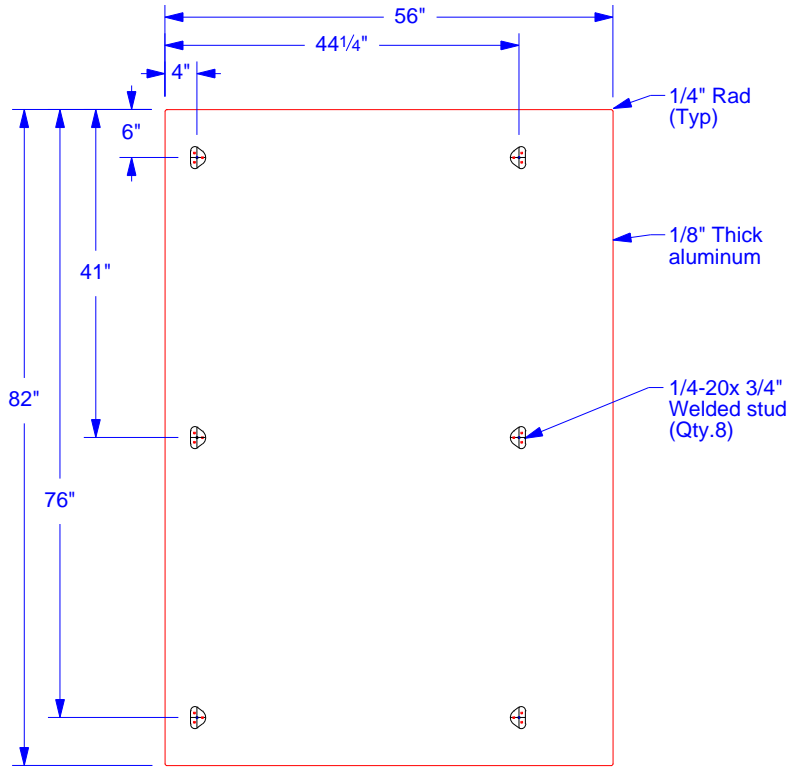
Atlanta, Georgia USA • Phone: (404) 688-9000 • Web: www.apcosigns.com

All Design Rights Reserved

Customer: Ventura County Community College
Project: Oxnard College
Sign 'B2' - Pylon Stud Locations
Product: Custom Monolithic Sign
In-Ground Mount, Non-Illuminated

Date: 09/03/19
Drawn: RCB
Scale: As Shown
Coord.: EG
W.O.#: 467009

Sheet: B2.h



BACK VIEW: SIGN PANEL

Scale: 1/2"=1'-0"
 (3 per sign, See Note 2)

Sign Type(s)
B2

NOTES:

1. Refer to presentation drawing and/or work order for colors and graphics specifications.
2. Stud locations are typical for Panels 'A', 'B' and 'C'.

**APPROVAL
 REQUIRED**

BY: _____
 DATE: _____

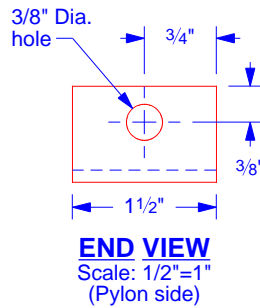
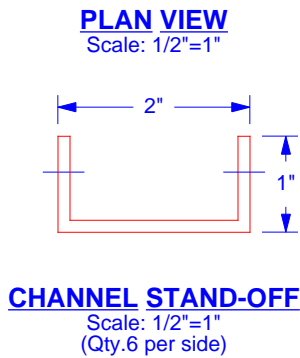
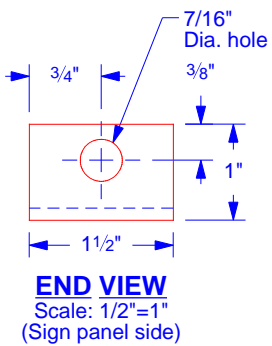
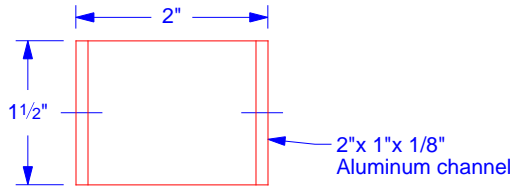
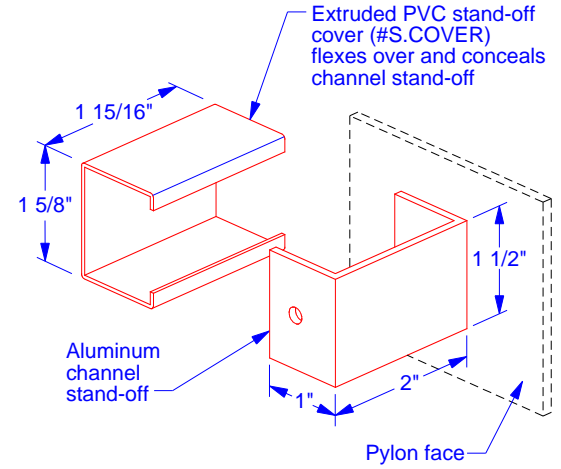
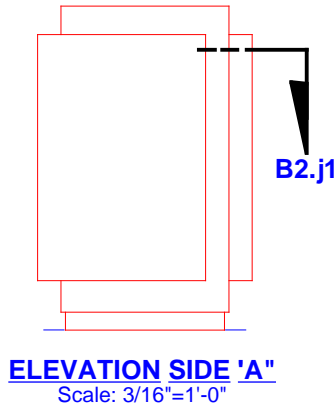
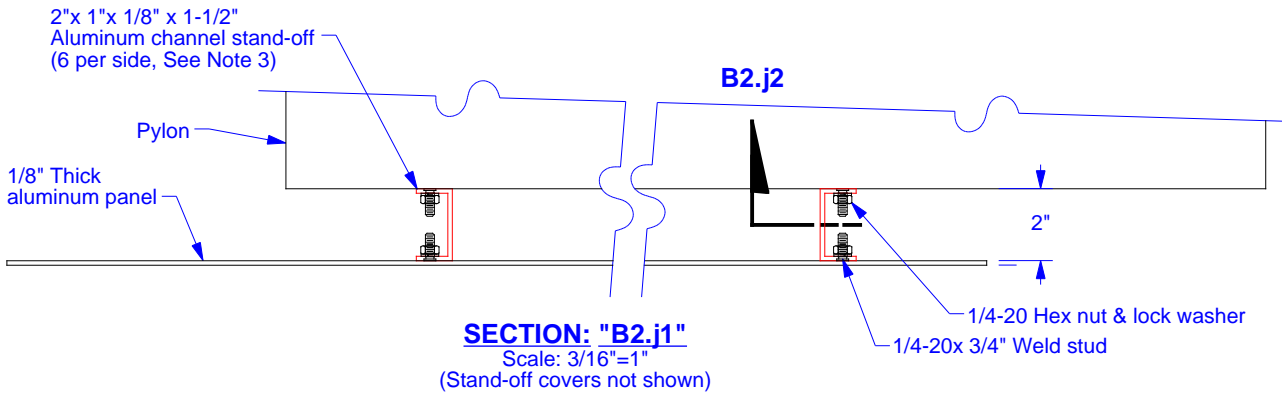


Atlanta, Georgia USA • Phone: (404) 688-9000 • Web: www.apcosigns.com

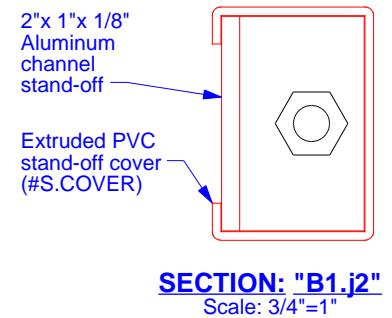
All Design Rights Reserved

Customer: Ventura County Community College
 Project: Oxnard College
 Sign 'B2' - Sign Panel Stud Locations
 Product: Custom Monolithic Sign
 In-Ground Mount, Non-Illuminated

Date: 09/03/19
 Drawn: RCB
 Scale: As Shown
 Coord.: EG
 W.O.#: 467009



ISOMETRIC VIEW: STAND-OFF
Scale: 3/8"=1"



NOTES:

1. Refer to presentation drawing and/or work order for colors and graphics specifications.
2. Channel has smaller hole on the pylon side and larger hole on panel side.
3. To secure panels to pylon, channel stand-offs must be oriented as shown so welded studs are accessible.

Sign Type(s)
B2

APPROVAL REQUIRED BY: _____
DATE: _____

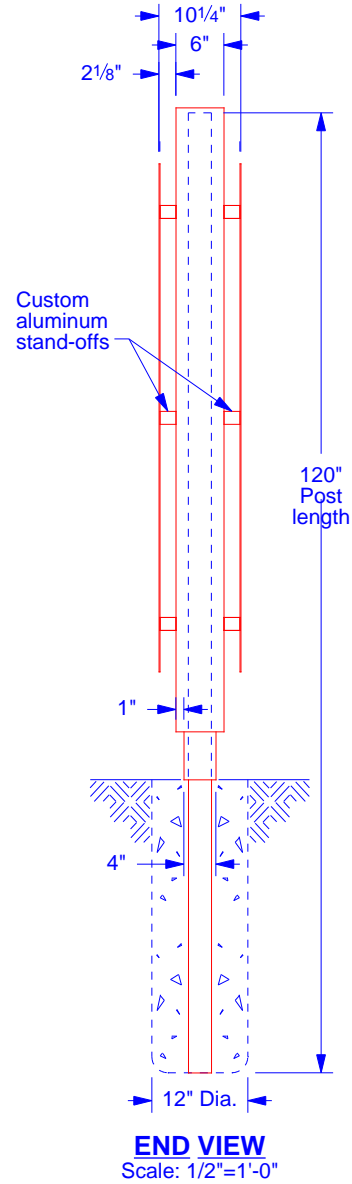
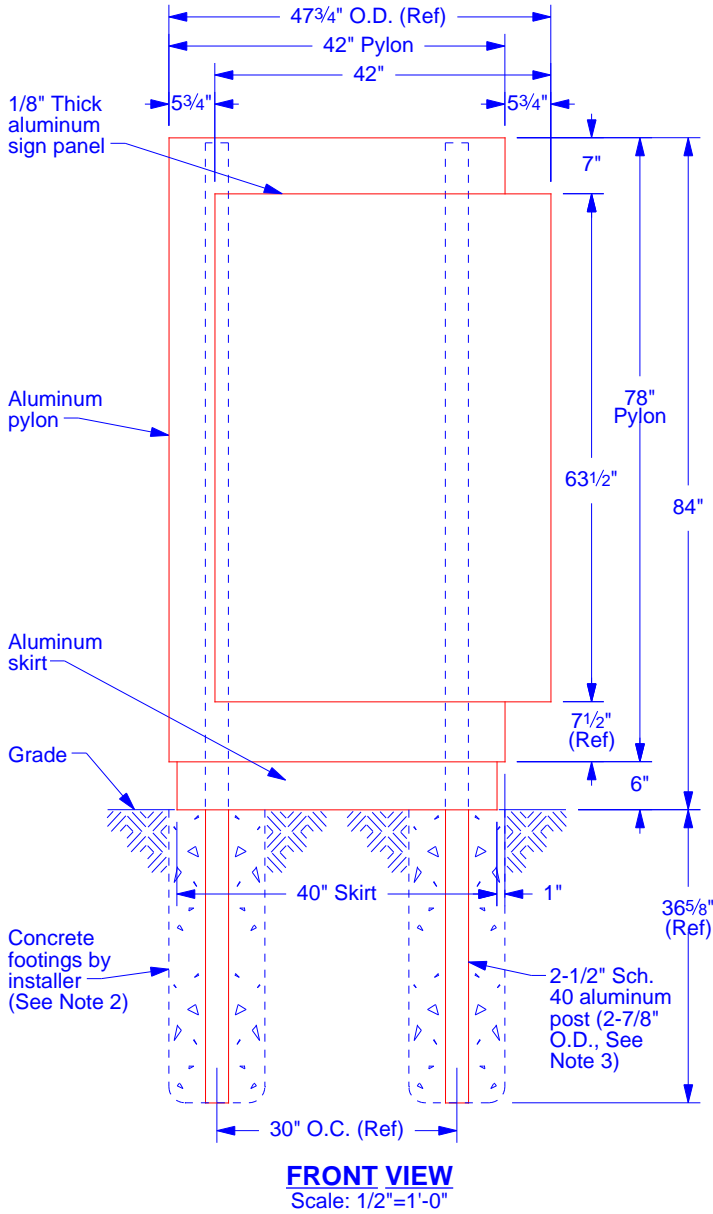
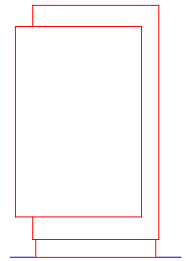
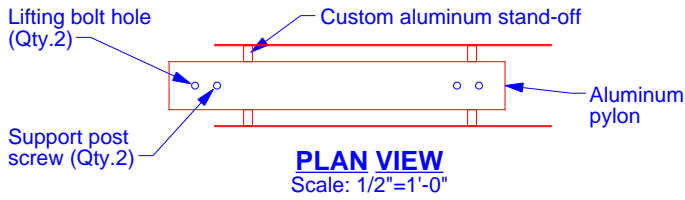


Atlanta, Georgia USA • Phone: (404) 688-9000 • Web: www.apcosigns.com

All Design Rights Reserved

Customer: Ventura County Community College
Project: Oxnard College
Sign 'B2' - Stand-off Details
Product: Custom Monolithic Sign
In-Ground Mount, Non-Illuminated

Date: 09/03/19
Drawn: RCB
Scale: As Shown
Coord.: EG
W.O.#: 467009



NOTES:

1. Refer to presentation drawing and/or work order for colors and graphics specifications.
2. Footings shown are for reference only. Actual design and installation is by qualified persons based on local codes and geographic practices.
3. Posts are epoxy primed and polyurethane coated. Installer attaches posts to sign prior to installation.

Sign Type(s)
C

APPROVAL REQUIRED BY: _____
DATE: _____



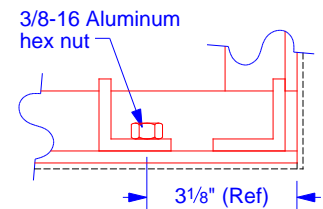
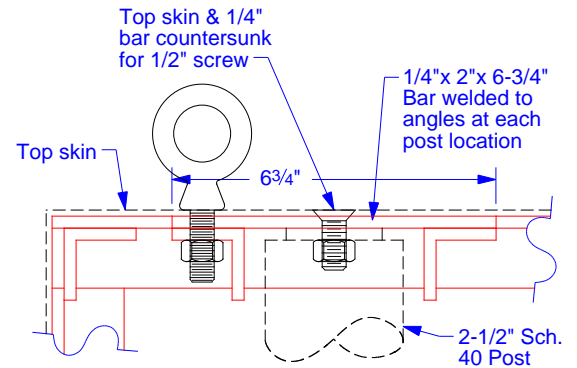
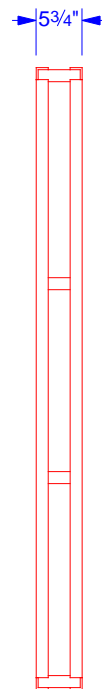
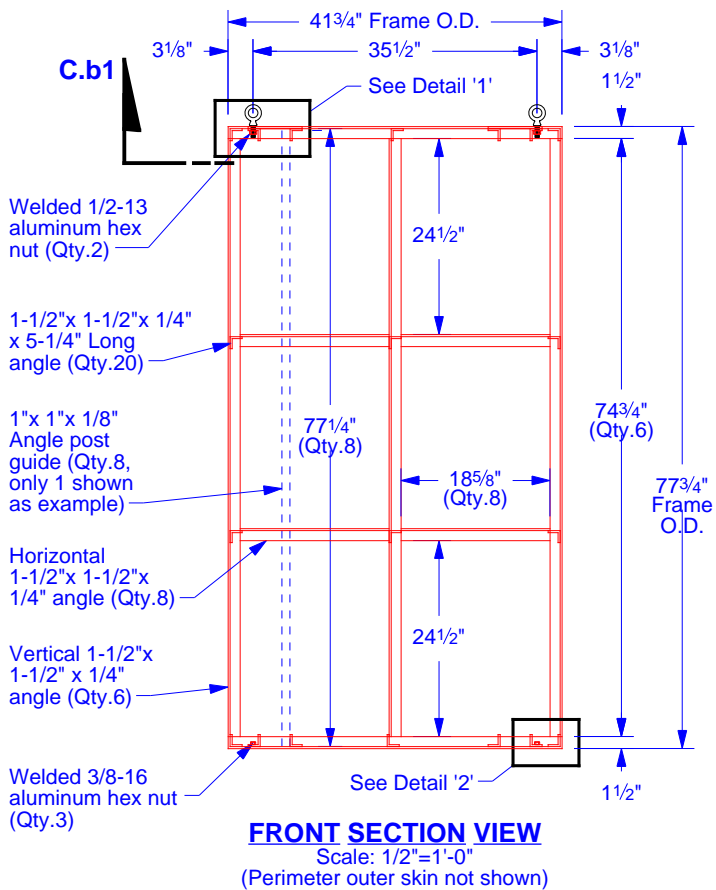
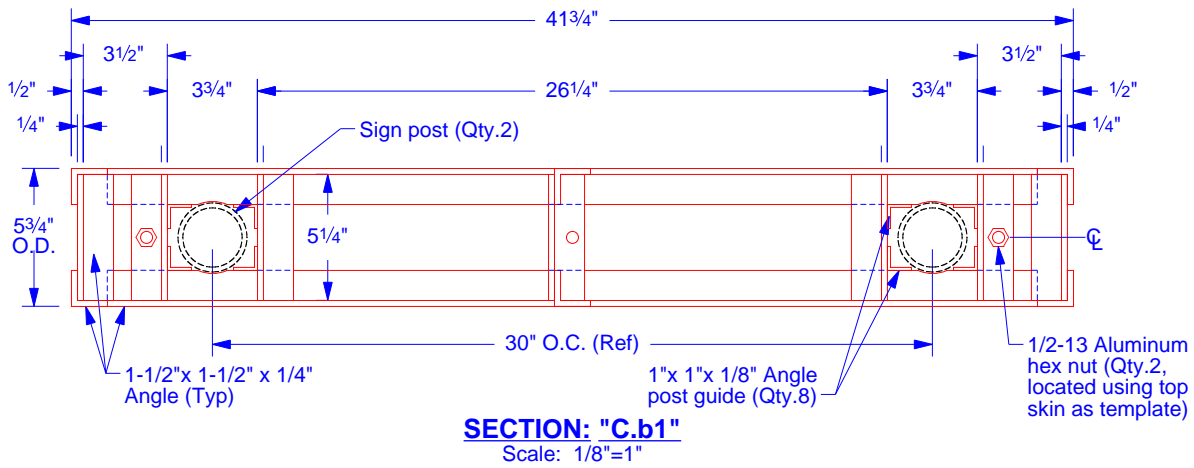
Atlanta, Georgia USA • Phone: (404) 688-9000 • Web: www.apcosigns.com

All Design Rights Reserved

Customer: Ventura County Community College
Project: Oxnard College
Sign 'C' - Elevation Views
Product: Custom Monolithic Sign
In-Ground Mount, Non-Illuminated

Date: 08/30/19
Drawn: RCB
Scale: As Shown
Coord.: EG
W.O.#: 467009

Sheet: C.a



NOTES:

1. Refer to presentation drawing and/or work order for colors and graphics specifications.
2. Bottom center angle (shoe) is welded to outside of vertical center angle to align with center hole in bottom skin and skirt.
3. Once sign is installed, lifting bolts are removed and holes are capped with countersunk screws provided.

Sign Type(s)
C

APPROVAL REQUIRED BY: _____ DATE: _____



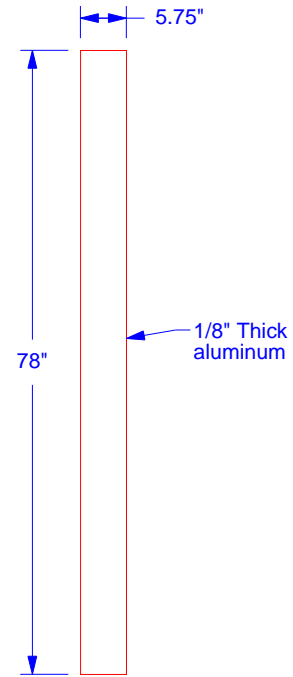
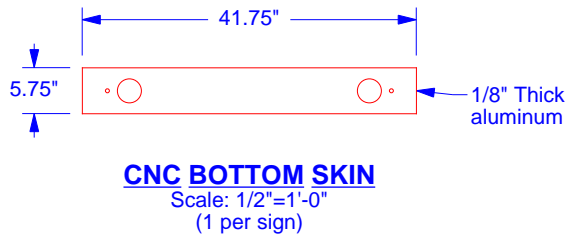
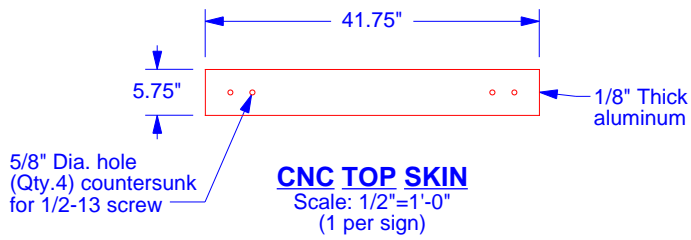
Atlanta, Georgia USA • Phone: (404) 688-9000 • Web: www.apcosigns.com

All Design Rights Reserved

Customer: Ventura County Community College
Project: Oxnard College
Sign 'C' - Pylon Details
Product: Custom Monolithic Sign
In-Ground Mount, Non-Illuminated

Date: 08/30/19
Drawn: RCB
Scale: As Shown
Coord.: EG
W.O.#: 467009

Sheet: C.b



Sign Type(s)
C

NOTES:

1. Outer skins are CNC cut out of 1/8" thick aluminum.

APPROVAL REQUIRED BY: _____
DATE: _____



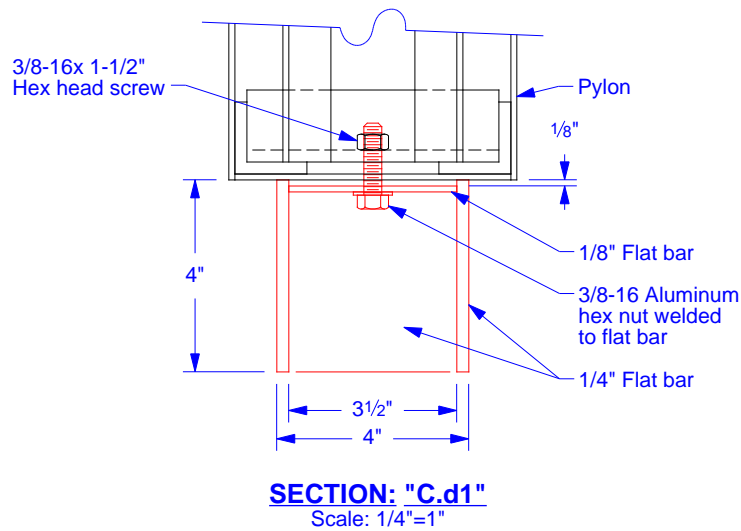
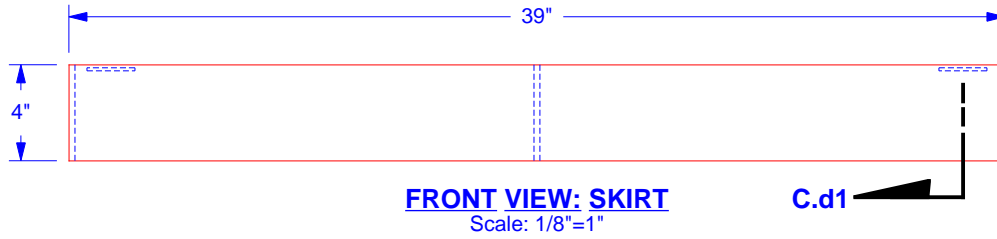
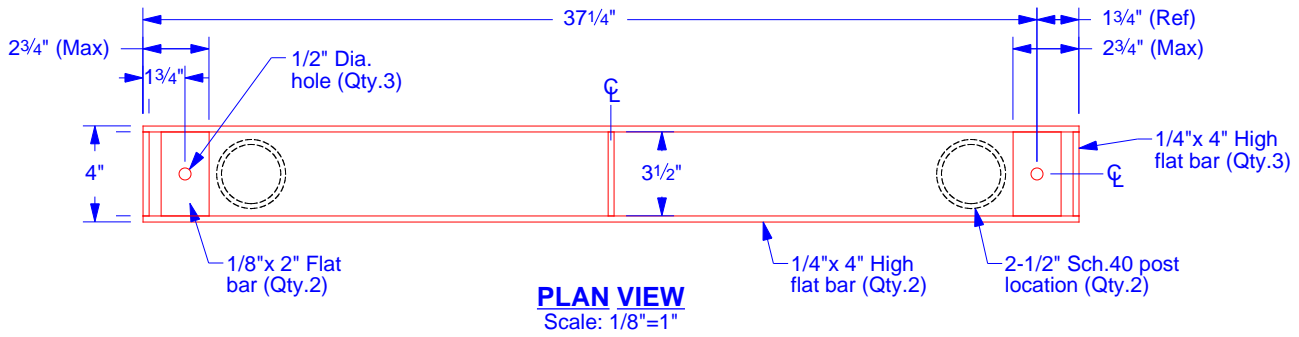
Atlanta, Georgia USA • Phone: (404) 688-9000 • Web: www.apcosigns.com

All Design Rights Reserved

Customer: Ventura County Community College
Project: Oxnard College
Sign 'C' - Pylon Outer Skin Details
Product: Custom Monolithic Sign
In-Ground Mount, Non-Illuminated

Date: 08/30/19
Drawn: RCB
Scale: As Shown
Coord.: EG
W.O.#: 467009

Sheet: C.c



Sign Type(s)
C

NOTES:

1. Refer to presentation drawing and/or work order for colors and graphics specifications.
2. Skirt is factory assembled to sign.

APPROVAL REQUIRED

BY: _____
DATE: _____



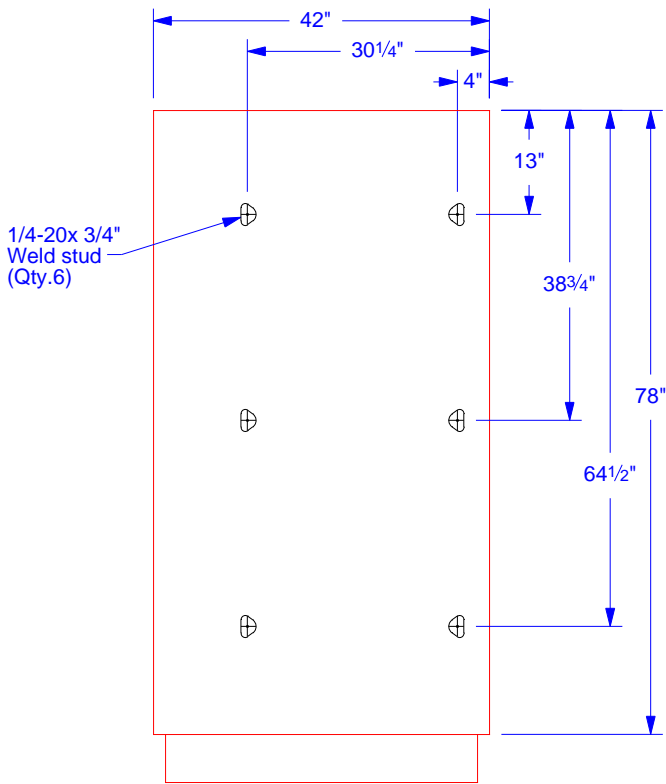
Atlanta, Georgia USA • Phone: (404) 688-9000 • Web: www.apcosigns.com

All Design Rights Reserved

Customer: Ventura County Community College
Project: Oxnard College
Sign 'C' - Skirt Details
Product: Custom Monolithic Sign
In-Ground Mount, Non-Illuminated

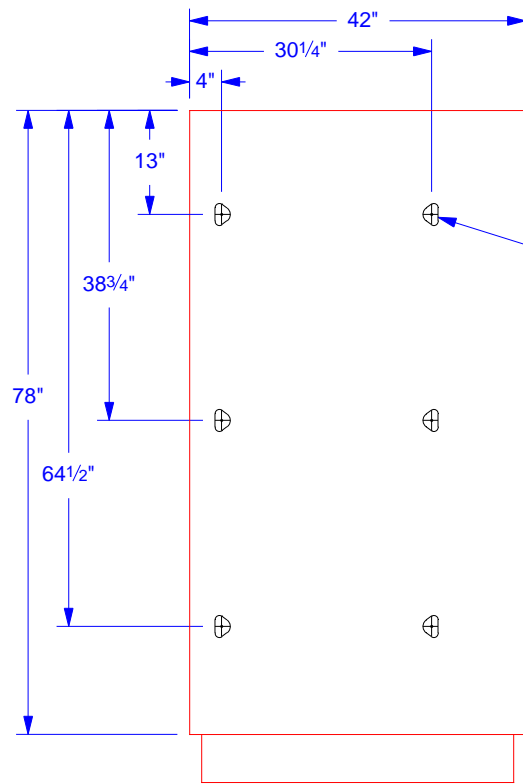
Date: 08/30/19
Drawn: RCB
Scale: As Shown
Coord.: EG
W.O.#: 467009

Sheet: C.d



1/4-20x 3/4"
Weld stud
(Qty.6)

PYLON FRONT VIEW
Scale: 1/2"=1'-0"



1/4-20x 3/4"
Weld stud
(Qty.6)

PYLON BACK VIEW
Scale: 1/2"=1'-0"

NOTES:

1. Pylon faces are rough cut slightly taller and wider than pylon frame. Faces are bonded with Plexus AO 420 adhesive and routed to match pylon frame. Weld studs are located after faces are routed.
2. Stud locations in pylon Faces 'A' and 'B' are mirrored.

Sign Type(s)
C

**APPROVAL
REQUIRED**

BY: _____
DATE: _____



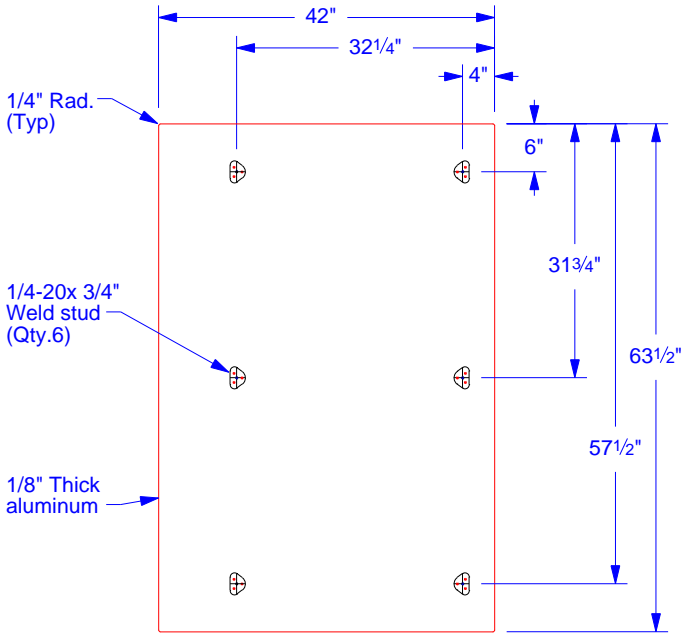
Atlanta, Georgia USA • Phone: (404) 688-9000 • Web: www.apcosigns.com

All Design Rights Reserved

Customer: Ventura County Community College
Project: Oxnard College
Sign 'C' - Pylon Stud Locations
Product: Custom Monolithic Sign
In-Ground Mount, Non-Illuminated

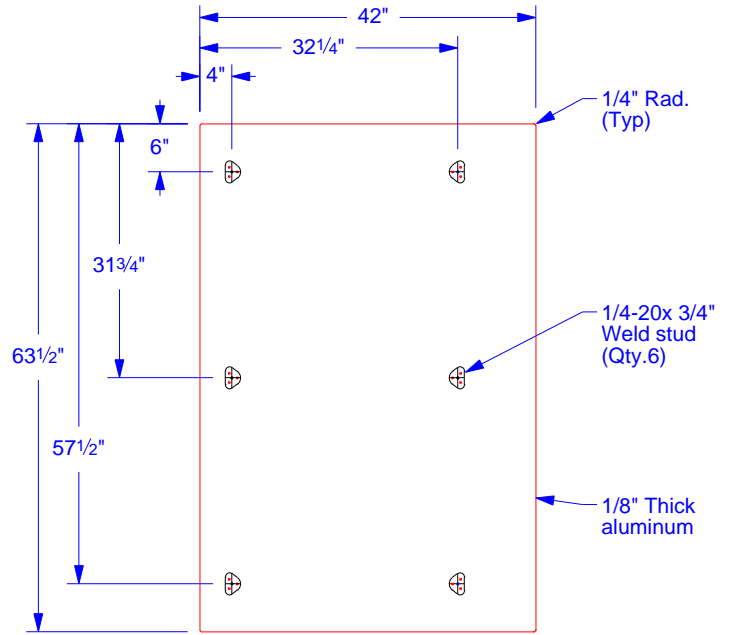
Date: 08/30/19
Drawn: RCB
Scale: As Shown
Coord.: EG
W.O.#: 467009

Sheet: C.e



BACK VIEW: SIGN PANEL SIDE 'A'

Scale: 1/2"=1'-0"
(Qty.1, See Note 2)



BACK VIEW: SIGN PANEL SIDE 'B'

Scale: 1/2"=1'-0"
(Qty.1, See Note 2)

NOTES:

1. Refer to presentation drawing and/or work order for colors and graphics specifications.
2. Stud locations in panel Sides 'A' and 'B' are mirrored.

Sign Type(s)
C

**APPROVAL
REQUIRED**

BY: _____
DATE: _____



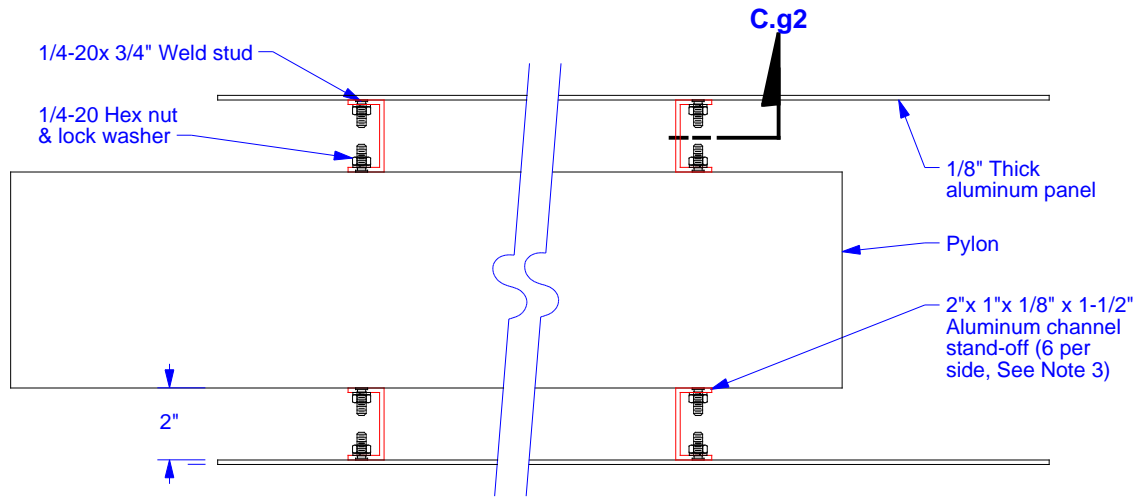
Atlanta, Georgia USA • Phone: (404) 688-9000 • Web: www.apcosigns.com

All Design Rights Reserved

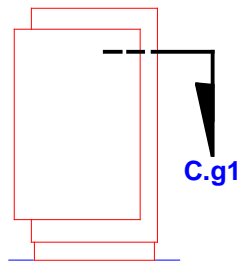
Customer: Ventura County Community College
Project: Oxnard College
Sign 'C' - Sign Panel Details
Product: Custom Monolithic Sign
In-Ground Mount, Non-Illuminated

Date: 08/30/19
Drawn: RCB
Scale: As Shown
Coord.: EG
W.O.#: 467009

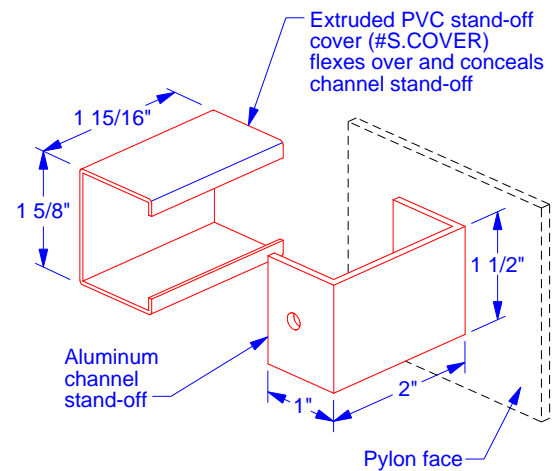
Sheet: C.f



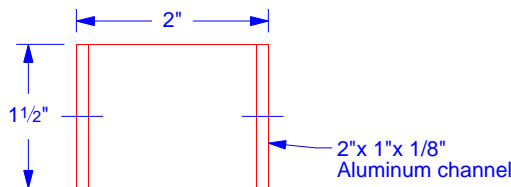
SECTION: "C.g1"
 Scale: 3/16"=1"
 (Stand-off covers not shown)



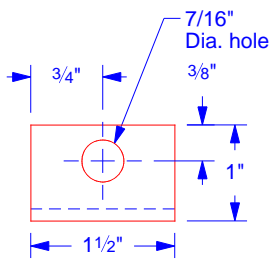
BACK VIEW
 Scale: 3/16"=1'-0"



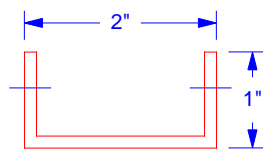
ISOMETRIC VIEW: STAND-OFF
 Scale: 3/8"=1"



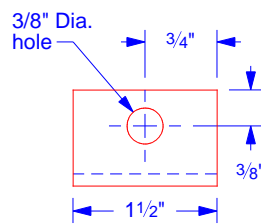
PLAN VIEW
 Scale: 1/2"=1"



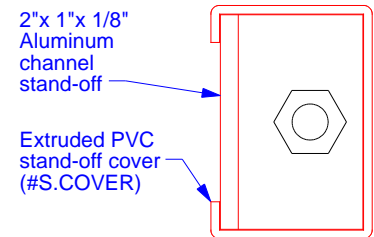
END VIEW
 Scale: 1/2"=1"
 (Sign panel side)



CHANNEL STAND-OFF
 Scale: 1/2"=1"
 (Qty. 6 per side)



END VIEW
 Scale: 1/2"=1"
 (Pylon side)



SECTION: "B1.g2"
 Scale: 3/4"=1"

Sign Type(s)
C

NOTES:

1. Refer to presentation drawing and/or work order for colors and graphics specifications.
2. Channel has smaller hole on the pylon side and larger hole on panel side.
3. To secure panels to pylon, channel stand-offs must be oriented as shown so welded studs are accessible.

APPROVAL REQUIRED

BY: _____
 DATE: _____



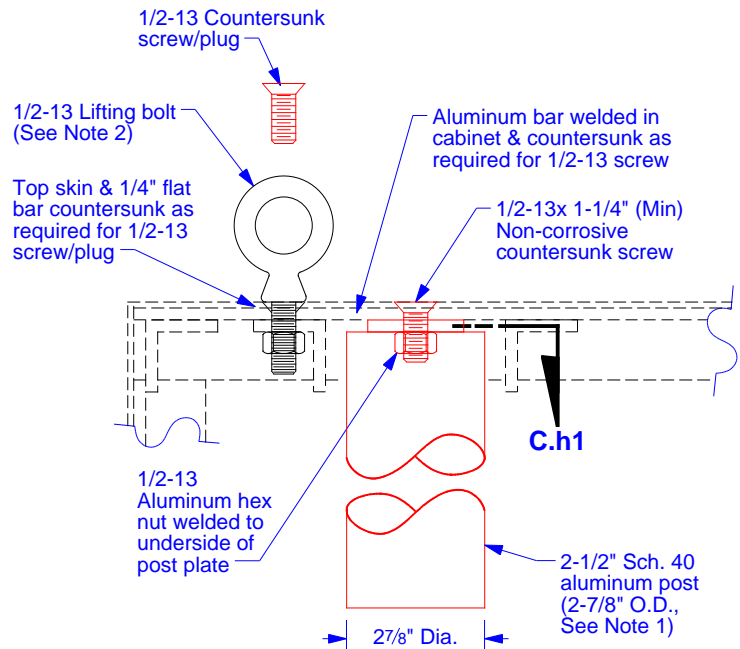
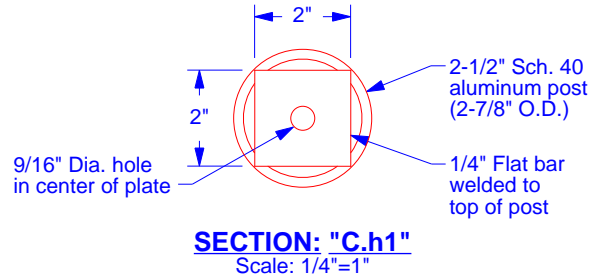
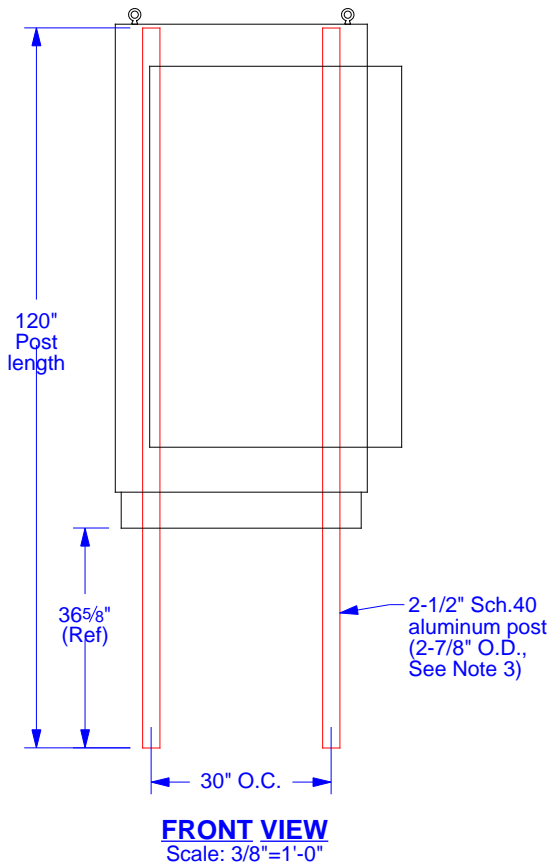
Atlanta, Georgia USA • Phone: (404) 688-9000 • Web: www.apcosigns.com

All Design Rights Reserved

Customer: Ventura County Community College
 Project: Oxnard College
 Sign 'C' - Stand-off Details
 Product: Custom Monolithic Sign
 In-Ground Mount, Non-Illuminated

Date: 08/30/19
 Drawn: RCB
 Scale: As Shown
 Coord.: EG
 W.O.#: 467009

Sheet: C.g



NOTES:

1. Posts are epoxy primed and polyurethane coated. Installer attaches posts to sign prior to installation.
2. Once sign is installed, lifting bolts are removed and holes are capped with countersunk screws provided.

Sign Type(s)
C

APPROVAL REQUIRED BY: _____
DATE: _____



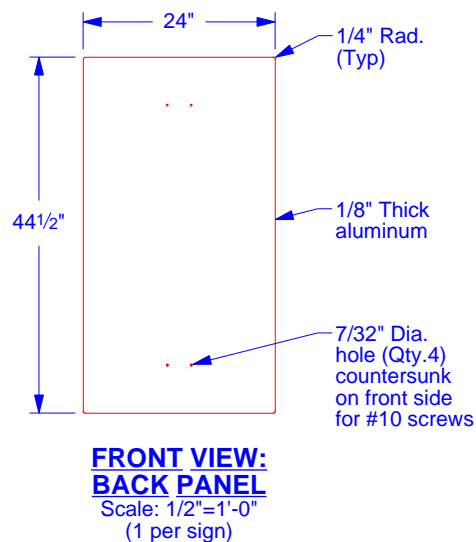
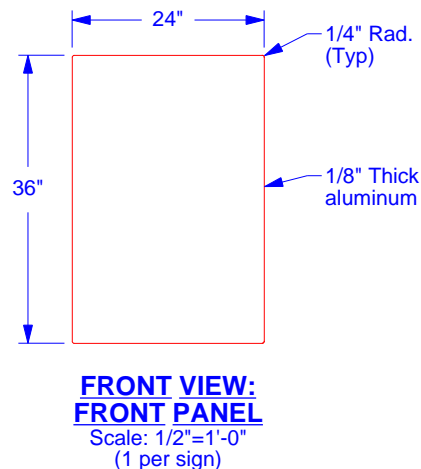
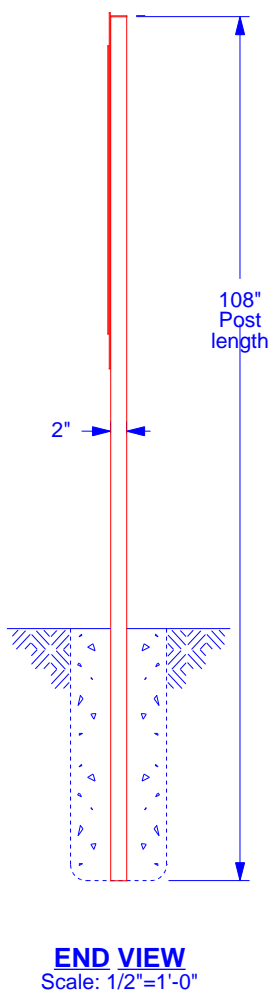
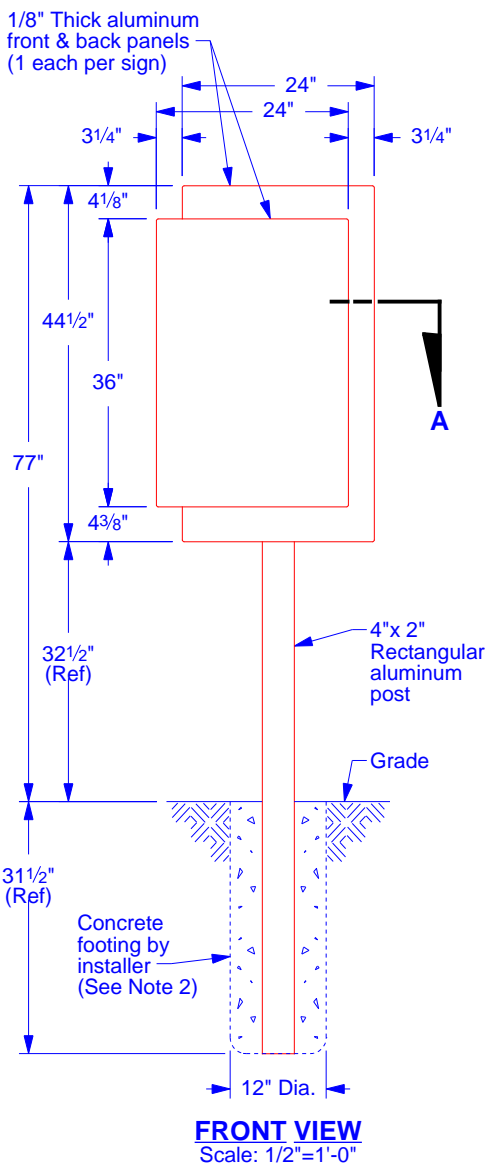
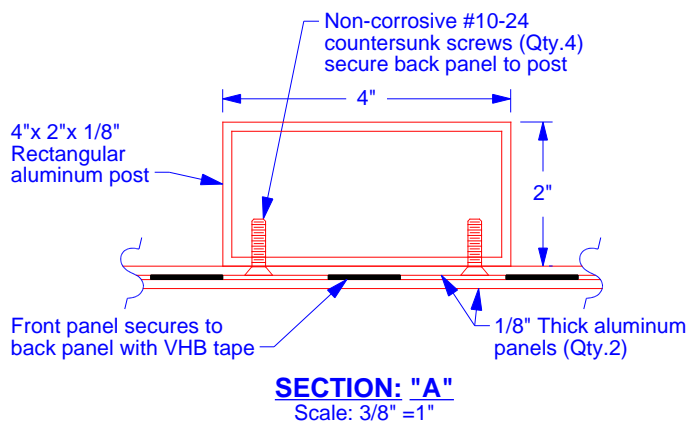
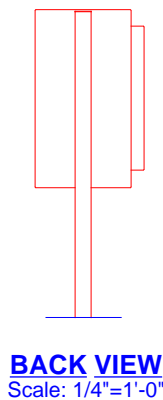
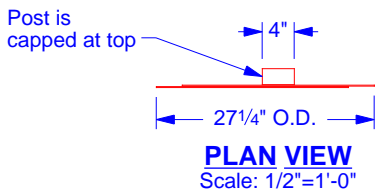
Atlanta, Georgia USA • Phone: (404) 688-9000 • Web: www.apcosigns.com

All Design Rights Reserved

Customer: Ventura County Community College
Project: Oxnard College
Sign 'C' - Support Post Details
Product: Custom Monolithic Sign
In-Ground Mount, Non-Illuminated

Date: 08/30/19
Drawn: RCB
Scale: As Shown
Coord.: EG
W.O.#: 467009

Sheet: C.h



NOTES:

1. Refer to presentation drawing and/or work order for colors and graphics specifications.
2. Footing shown is for reference only. Actual design and installation is by qualified persons based on local codes and geographic practices.
3. Post is epoxy primed and polyurethane coated.

Sign Type(s)
D1 D2

APPROVAL REQUIRED

BY: _____
DATE: _____



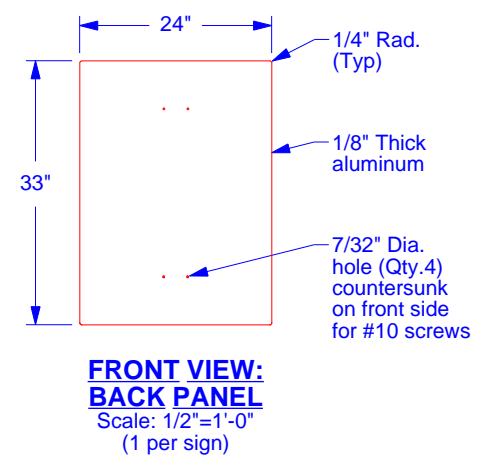
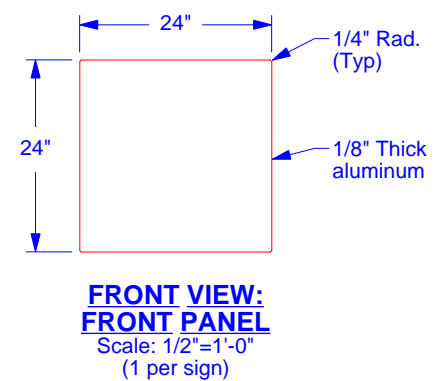
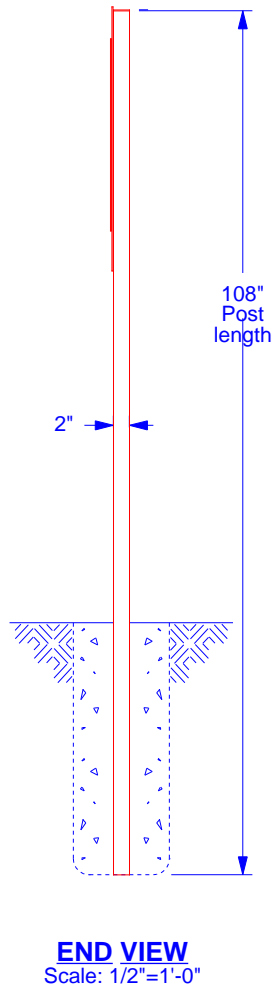
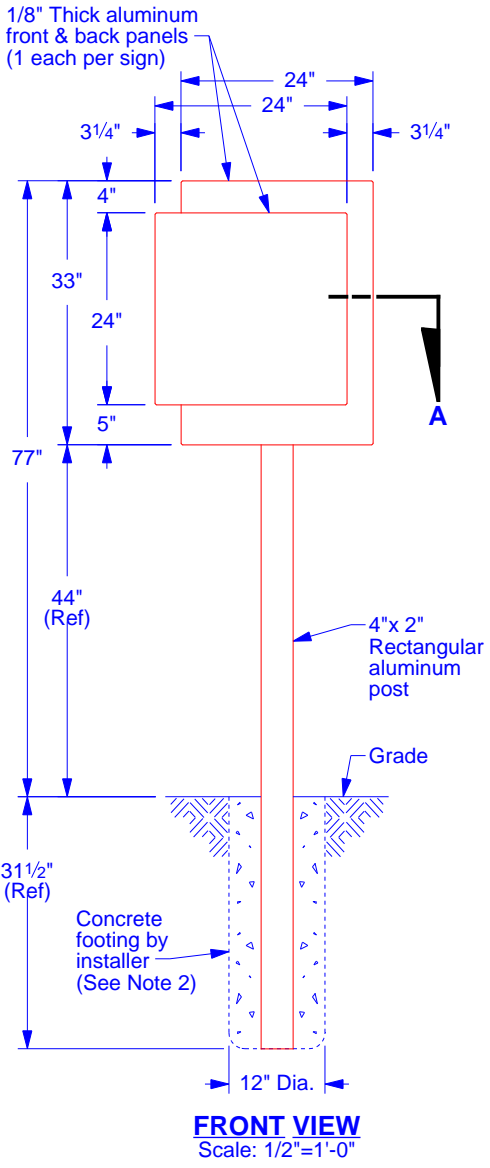
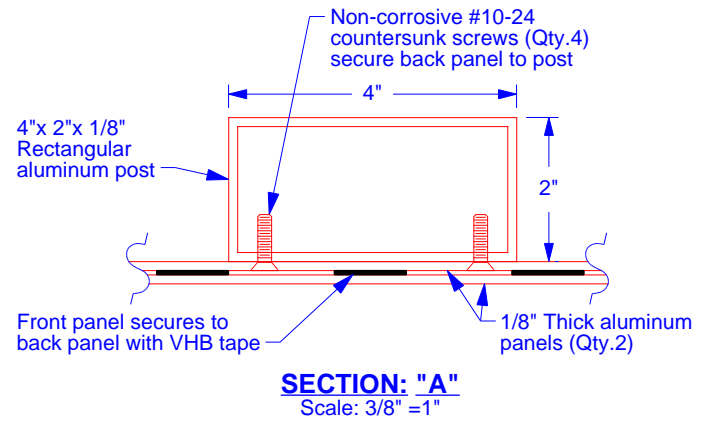
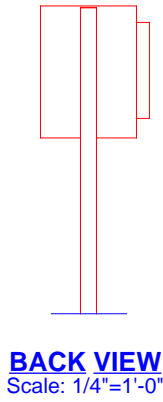
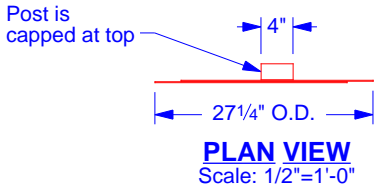
Atlanta, Georgia USA • Phone: (404) 688-9000 • Web: www.apcosigns.com

All Design Rights Reserved

Customer: Ventura County Community College
Project: Oxnard College
Signs 'D1' & 'D2'
Product: 4160.1 Flat Sheet PolySign
Single Post Mount, Non-Illuminated

Date: 08/30/19
Drawn: RCB
Scale: As Shown
Coord.: EG
W.O.#: 467009

Sheet: D1



NOTES:

1. Refer to presentation drawing and/or work order for colors and graphics specifications.
2. Footing shown is for reference only. Actual design and installation is by qualified persons based on local codes and geographic practices.
3. Post is epoxy primed and polyurethane coated.

Sign Type(s)
D3

APPROVAL REQUIRED BY: _____
DATE: _____



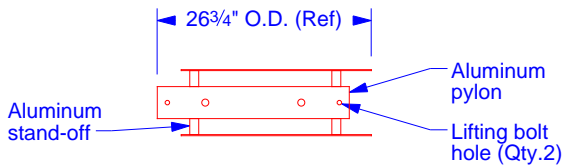
Atlanta, Georgia USA • Phone: (404) 688-9000 • Web: www.apcosigns.com

All Design Rights Reserved

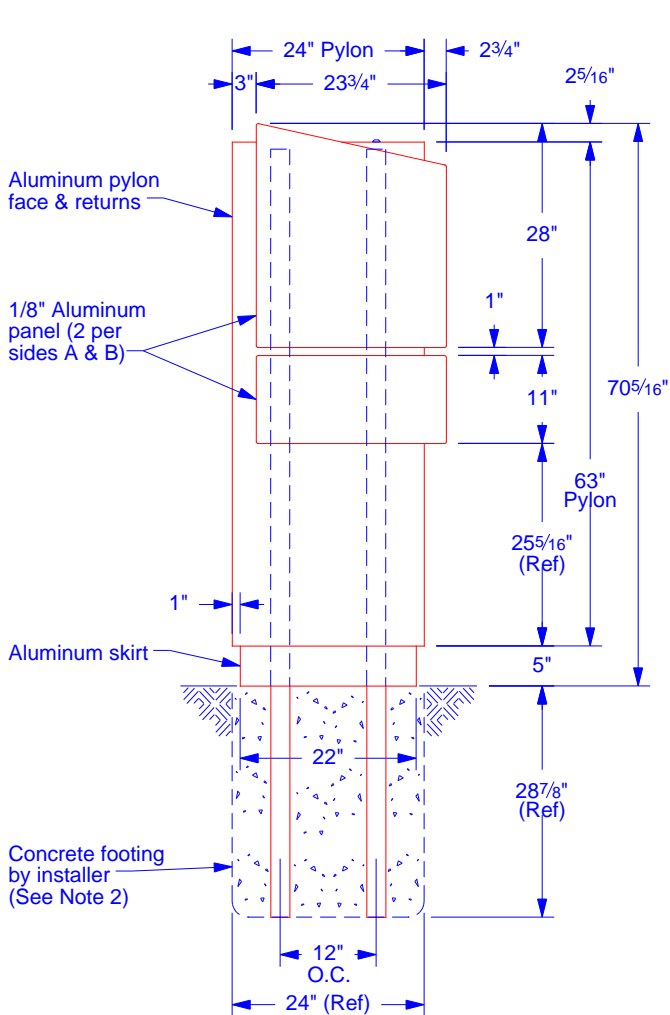
Customer: Ventura County Community College
Project: Oxnard College
Sign 'D3'
Product: 4160.1 Flat Sheet PolySign
Single Post Mount, Non-Illuminated

Date: 08/30/19
Drawn: RCB
Scale: As Shown
Coord.: EG
W.O.#: 467009

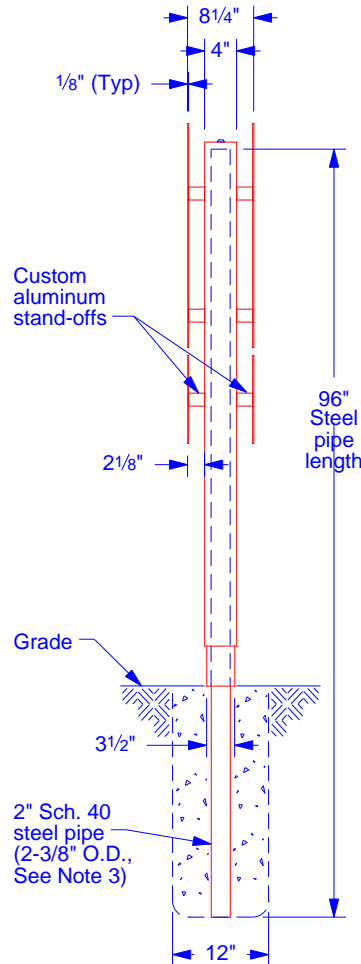
Sheet: D3



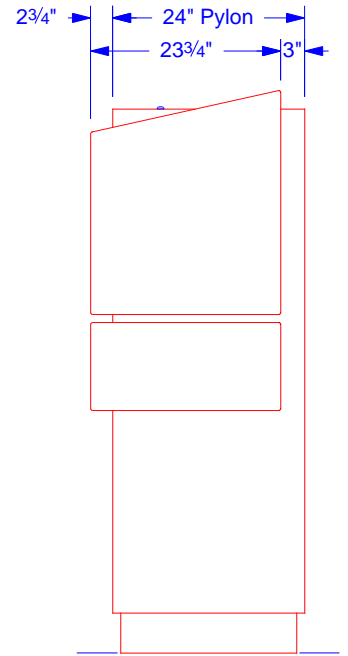
PLAN VIEW
Scale: 1/2"=1'-0"



FRONT VIEW
Scale: 1/2"=1'-0"



END VIEW
Scale: 1/2"=1'-0"



BACK VIEW
Scale: 1/2"=1'-0"

NOTES:

1. Refer to presentation drawing and/or work order for colors and graphics specifications.
2. Footing shown is for reference only. Actual design and installation is by qualified persons based on local codes and geographic practices.
3. Steel posts are epoxy primed and polyurethane coated. Installer attaches posts to sign prior to installation.

Sign Type(s)
F1

APPROVAL REQUIRED

BY: _____
DATE: _____

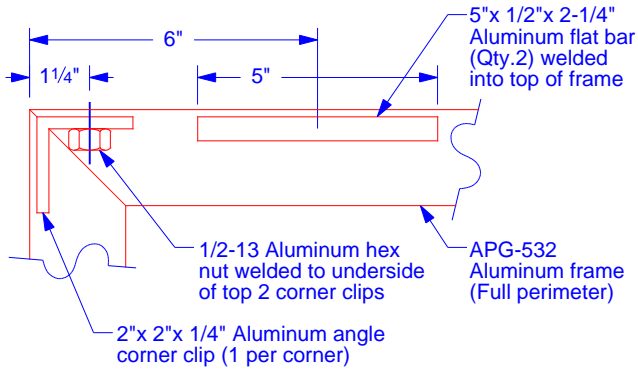


Atlanta, Georgia USA • Phone: (404) 688-9000 • Web: www.apcosigns.com

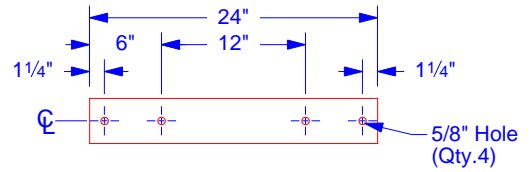
All Design Rights Reserved

Customer: Ventura County Community College
Project: Oxnard College
Sign 'F1' - Elevation Views
Product: Custom Monolithic Sign
In-Ground Mount, Non-Illuminated

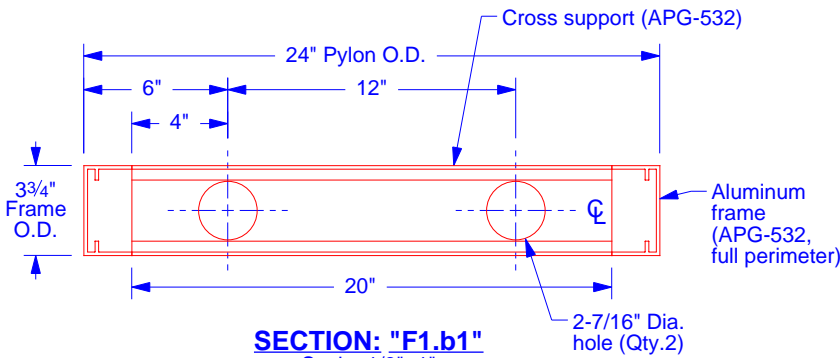
Date: 08/30/19
Drawn: RCB
Scale: As Shown
Coord.: EG
W.O.#: 467009



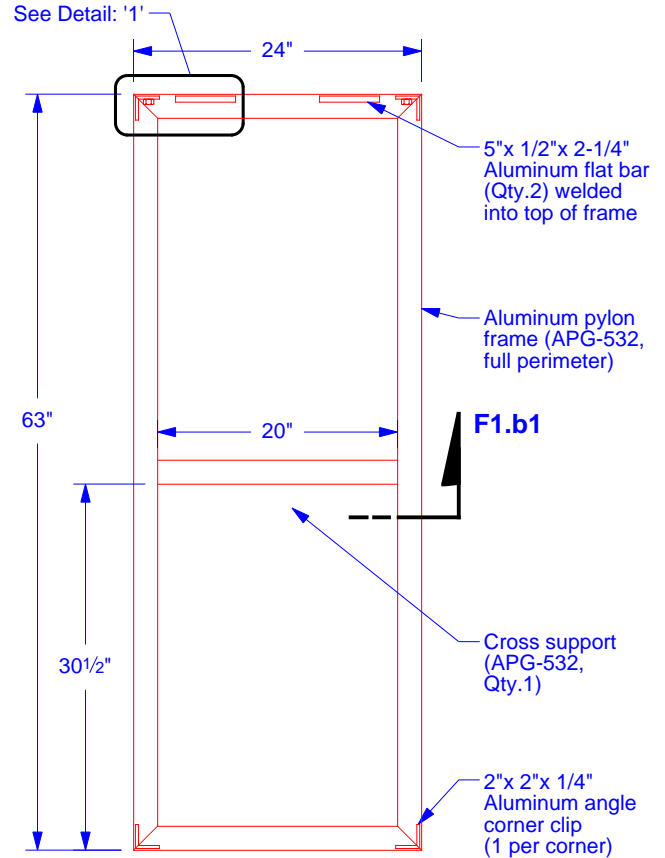
DETAIL: '1'
Scale: 1/4"=1"



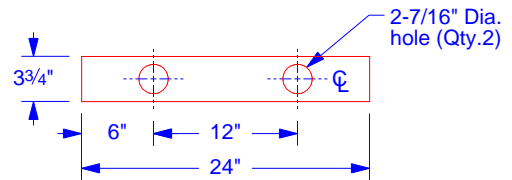
PLAN VIEW
Scale: 3/4"=1'-0"



SECTION: "F1.b1"
Scale: 1/8"=1"



FRONT VIEW
Scale: 3/4"=1'-0"
(Aluminum faces not shown)



BOTTOM VIEW
Scale: 3/4"=1'-0"

Sign Type(s)
F1

APPROVAL REQUIRED BY: _____
DATE: _____



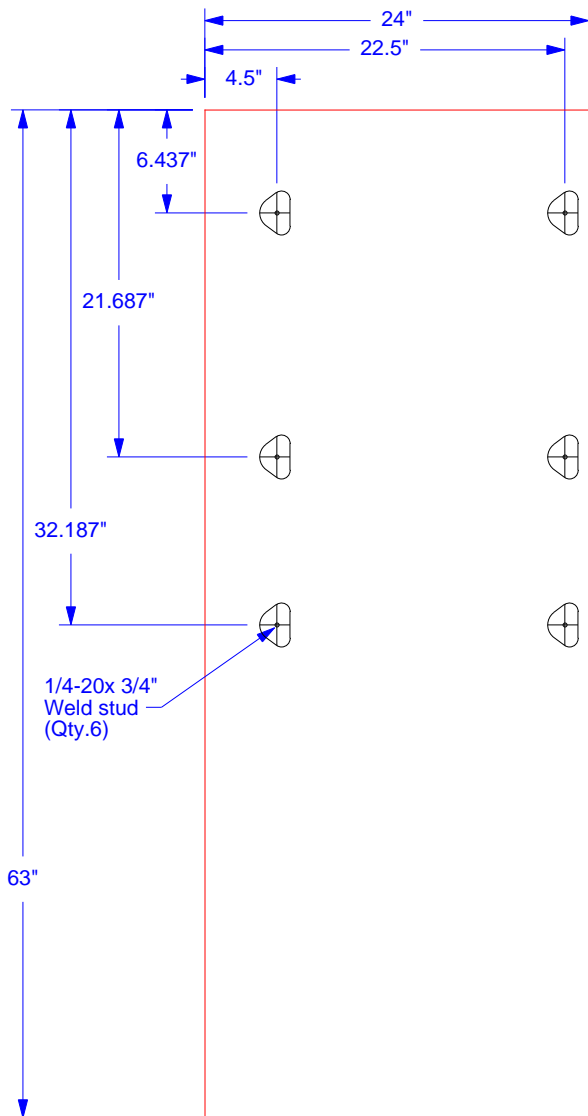
Atlanta, Georgia USA • Phone: (404) 688-9000 • Web: www.apcosigns.com

All Design Rights Reserved

Customer: Ventura County Community College
Project: Oxnard College
Sign 'F1' - Pylon Details
Product: Custom Monolithic Sign
In-Ground Mount, Non-Illuminated

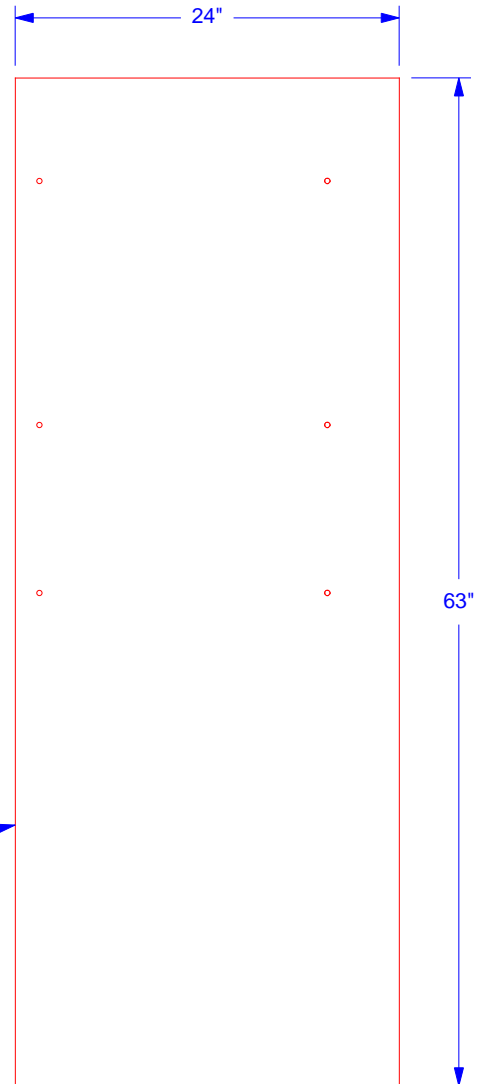
Date: 08/30/19
Drawn: RCB
Scale: As Shown
Coord.: EG
W.O.#: 467009

Sheet: F1.b



FRONT VIEW: PYLON SIDE 'A'

Scale: 1"=1'-0"
(See Note 2)



FRONT VIEW: PYLON SIDE 'B'

Scale: 1"=1'-0"
(See Note 2)

1/8" Thick aluminum

1/8" Thick aluminum

NOTES:

1. Pylon faces are rough cut 1/4" taller and wider than pylon frame. Faces are bonded with Plexus AO 420 adhesive and routed to match pylon frame. Weld studs are located after faces are routed.
2. Stud locations in pylon Faces 'A' and 'B' are mirrored.

Sign Type(s)
F1

APPROVAL REQUIRED BY: _____
DATE: _____

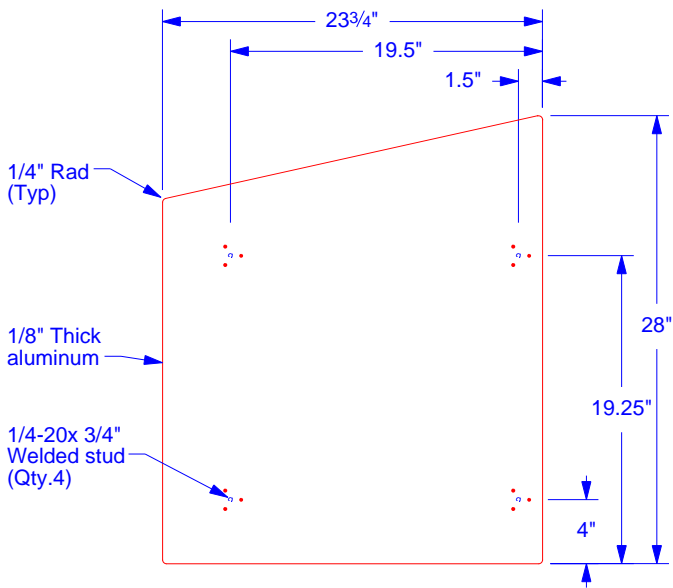


Atlanta, Georgia USA • Phone: (404) 688-9000 • Web: www.apcosigns.com

All Design Rights Reserved

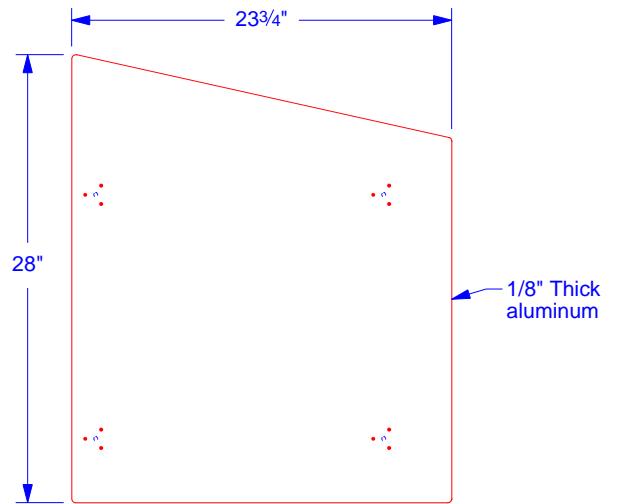
Customer: Ventura County Community College
Project: Oxnard College
Sign 'F1' - Pylon Stud Locations
Product: Custom Monolithic Sign
In-Ground Mount, Non-Illuminated

Date: 08/30/19
Drawn: RCB
Scale: As Shown
Coord.: EG
W.O.#: 467009



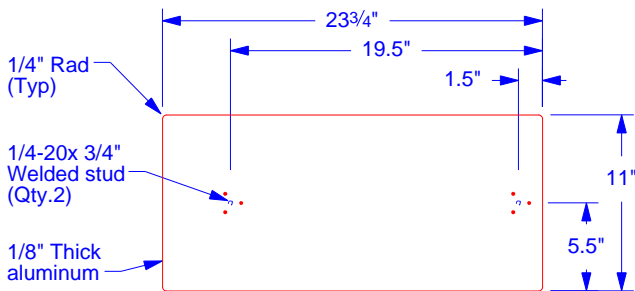
BACK VIEW: SIDE 'A' TOP PANEL

Scale: 1"=1'-0"
(Qty. 1, See Note 2)



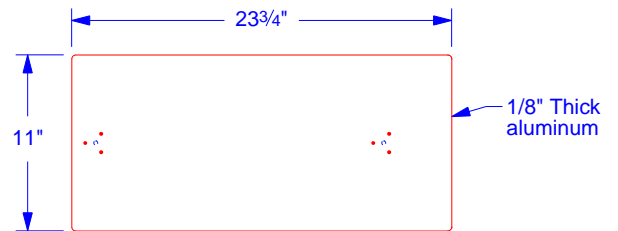
BACK VIEW: SIDE 'B' TOP PANEL

Scale: 1"=1'-0"
(Qty. 1, See Note 2)



BACK VIEW: SIDE 'A' BOTTOM PANEL

Scale: 1"=1'-0"
(Qty. 1, See Note 2)



BACK VIEW: SIDE 'B' BOTTOM PANEL

Scale: 1"=1'-0"
(Qty. 1, See Note 2)

NOTES:

1. Refer to presentation drawing and/or work order for colors and graphics specifications.
2. Stud locations in panel Sides 'A' and 'B' are mirrored.

Sign Type(s)
F1

APPROVAL REQUIRED BY: _____
DATE: _____

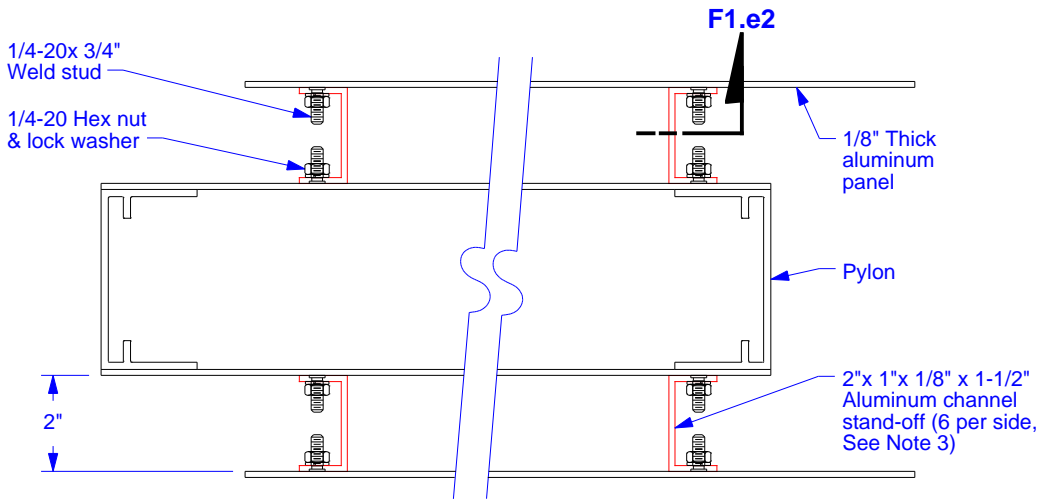


Atlanta, Georgia USA • Phone: (404) 688-9000 • Web: www.apcosigns.com

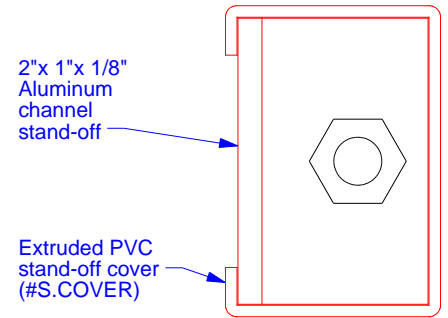
All Design Rights Reserved

Customer: Ventura County Community College
Project: Oxnard College
Sign ' F1' - Sign Panel Details
Product: Custom Monolithic Sign
In-Ground Mount, Non-Illuminated

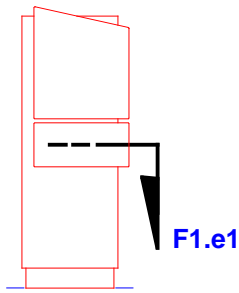
Date: 08/30/19
Drawn: RCB
Scale: As Shown
Coord.: EG
W.O.#: 467009



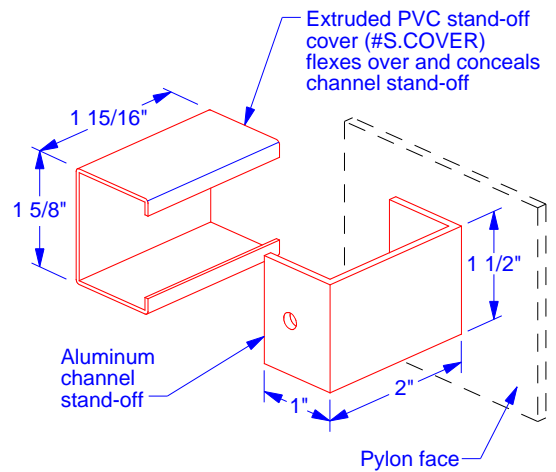
SECTION: "F1.e1"
Scale: 1/4"=1"
(Stand-off covers not shown)



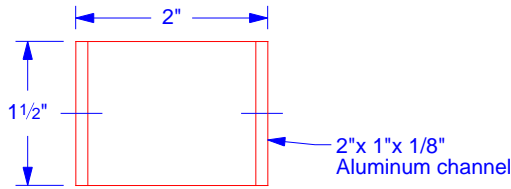
SECTION: "F1.e2"
Scale: 1"=1"



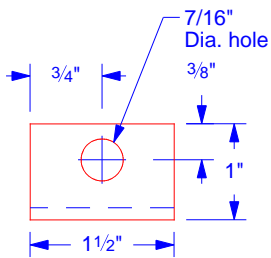
FRONT VIEW
Scale: 1/4"=1'-0"



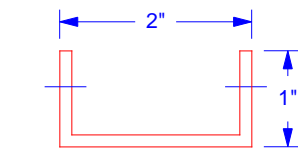
ISOMETRIC VIEW: STAND-OFF
Scale: 3/8"=1"



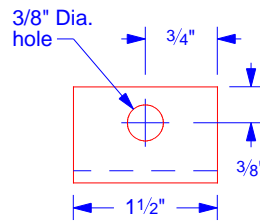
PLAN VIEW
Scale: 1/2"=1"



END VIEW
Scale: 1/2"=1"
(Sign panel side)



CHANNEL STAND-OFF
Scale: 1/2"=1"
(Qty. 6 per side)



END VIEW
Scale: 1/2"=1"
(Pylon side)

NOTES:

1. Refer to presentation drawing and/or work order for colors and graphics specifications.
2. Channel has smaller hole on the pylon side and larger hole on panel side.
3. To secure panels to pylon, channel stand-offs must be oriented as shown so welded studs are accessible.

Sign Type(s)
F1

APPROVAL REQUIRED BY: _____
DATE: _____

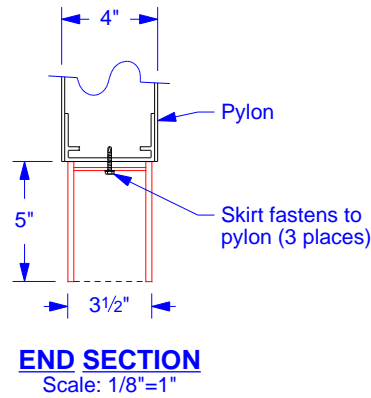
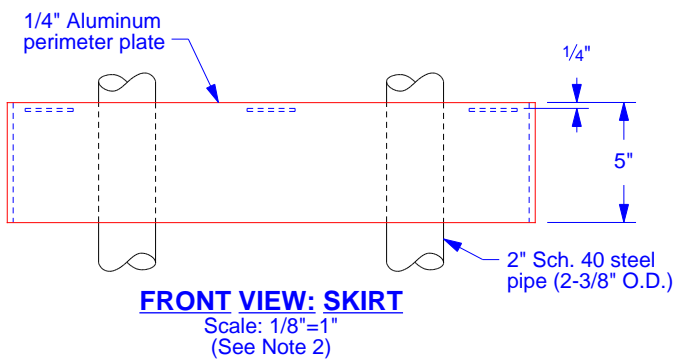
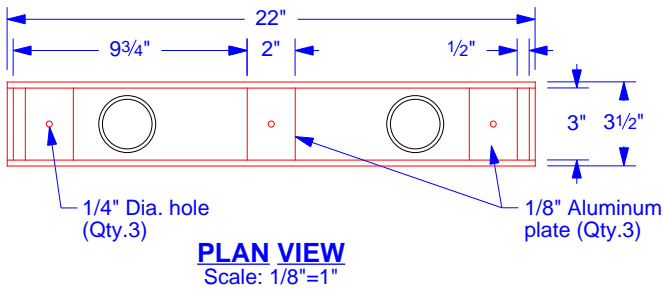
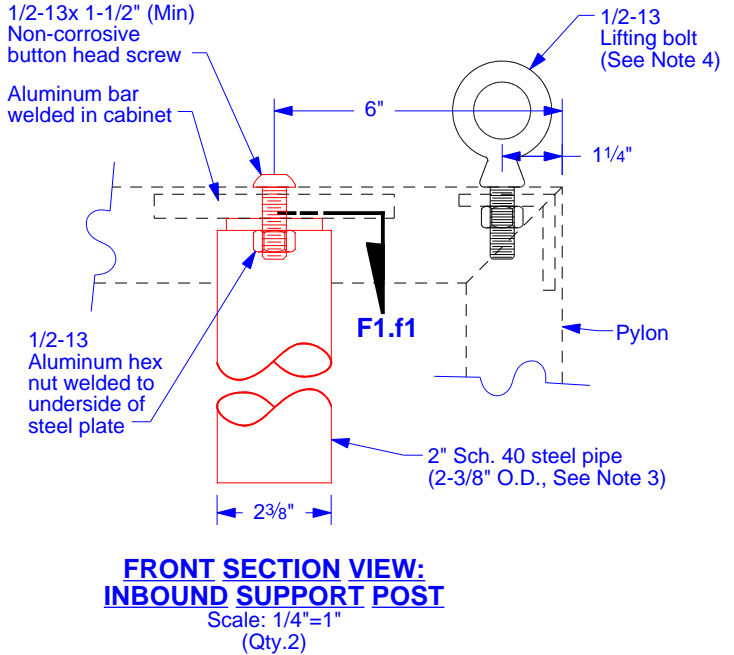
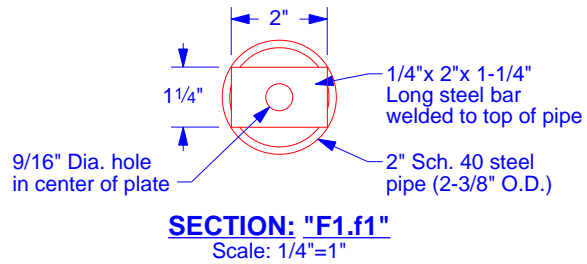
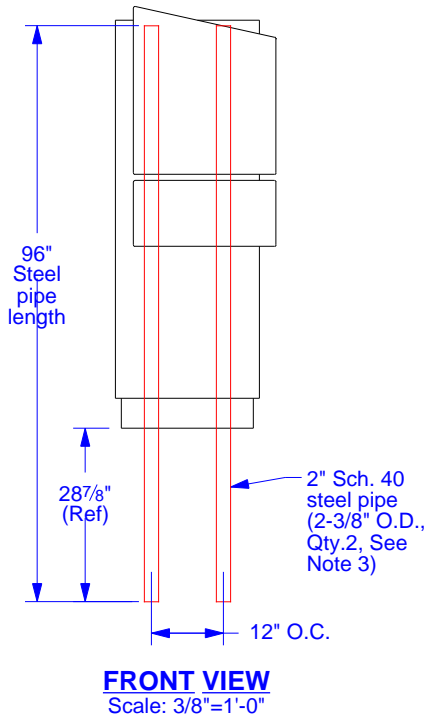


Atlanta, Georgia USA • Phone: (404) 688-9000 • Web: www.apcosigns.com

All Design Rights Reserved

Customer: Ventura County Community College
Project: Oxnard College
Sign 'F1' - Stand-off Details
Product: Custom Monolithic Sign
In-Ground Mount, Non-Illuminated

Date: 08/30/19
Drawn: RCB
Scale: As Shown
Coord.: EG
W.O.#: 467009



NOTES:

1. Refer to presentation drawing and/or work order for colors and graphics specifications.
2. Skirt is preassembled to pylon.
3. Steel pipes/posts are epoxy primed and polyurethane coated. Installer attaches posts to sign prior to installation.
4. Once sign is installed, lifting bolts are removed and holes are capped with plastic plugs and silicone (provided).

Sign Type(s)
F1

APPROVAL REQUIRED BY: _____
DATE: _____



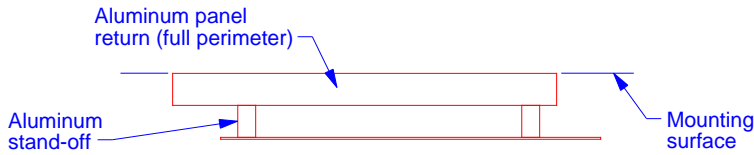
Atlanta, Georgia USA • Phone: (404) 688-9000 • Web: www.apcosigns.com

All Design Rights Reserved

Customer: Ventura County Community College
Project: Oxnard College
Sign 'F1' - Post & Skirt Details
Product: Custom Monolithic Sign
In-Ground Mount, Non-Illuminated

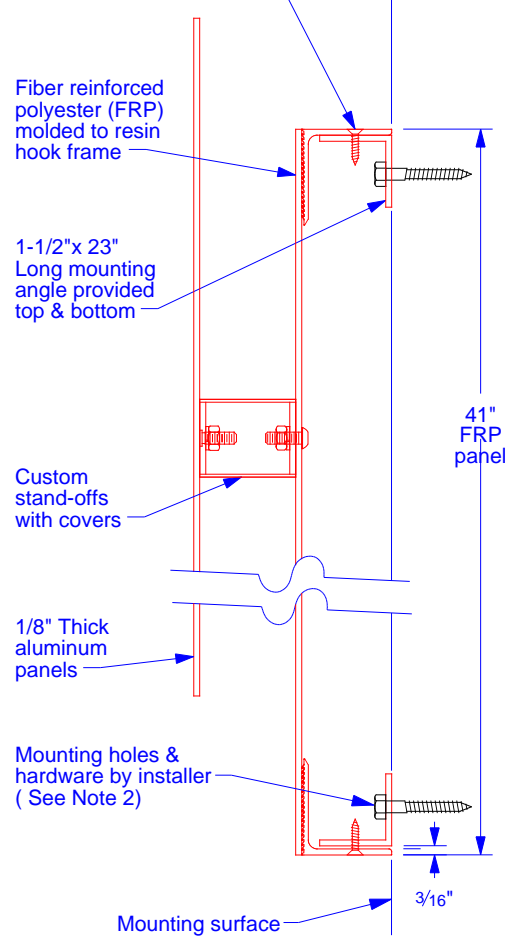
Date: 08/30/19
Drawn: RCB
Scale: As Shown
Coord.: EG
W.O.#: 467009

Sheet: F1.f

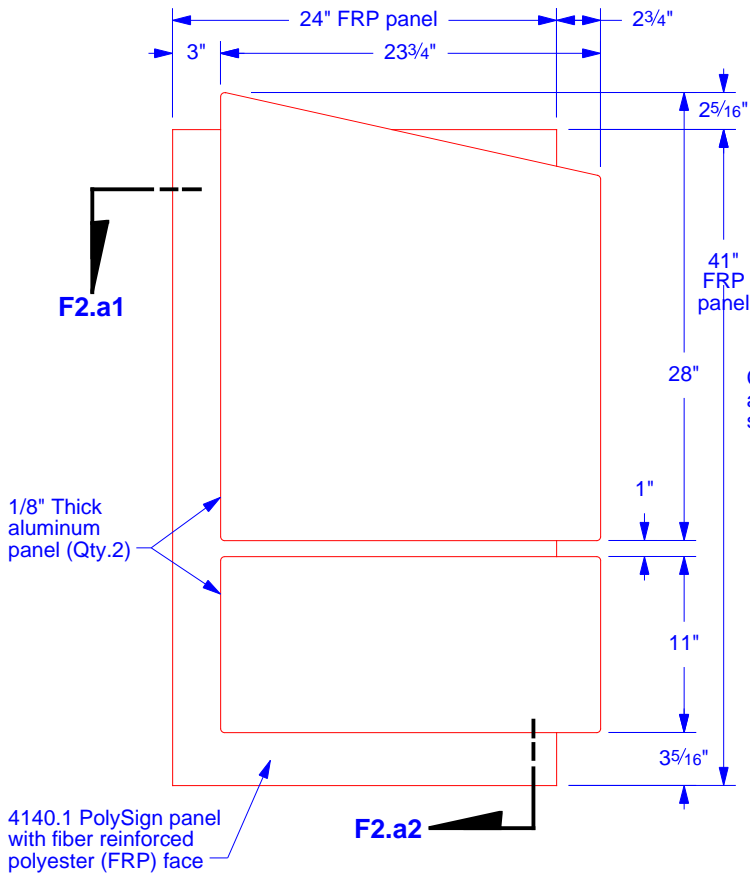


PLAN VIEW
Scale: 1"=1'-0"

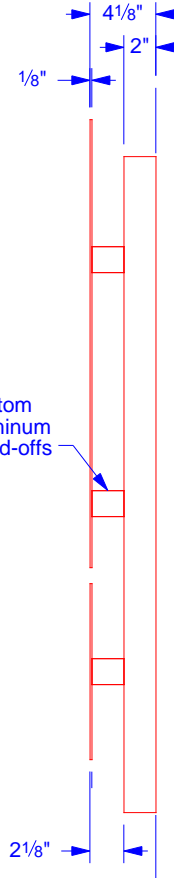
Installer drills pilot holes in mounting angle using countersunk holes in top & bottom FRP frame members as guide & secures with non-corrosive #8x 5/8" screws provided



SECTION: "F2.a1"
Scale: 1/4"=1"



FRONT VIEW
Scale: 1"=1'-0"



END VIEW
Scale: 1"=1'-0"

F2.a1

F2.a2

NOTES:

1. Refer to presentation drawing and/or work order for colors and graphics specifications.
2. Mounting technique and anchor hardware is by installer based on mounting surface conditions.

Sign Type(s)
F2

APPROVAL REQUIRED

BY: _____
DATE: _____



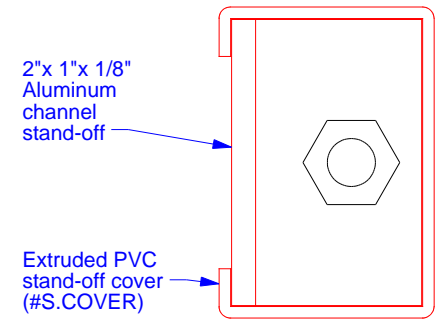
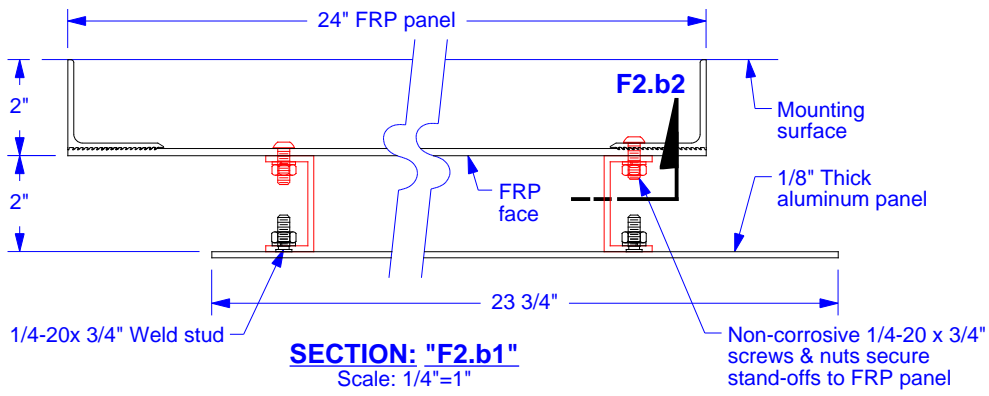
Atlanta, Georgia USA • Phone: (404) 688-9000 • Web: www.apcosigns.com

All Design Rights Reserved

Customer: Ventura County Community College
Project: Oxnard College
Sign 'F2' - Elevation Views
Product: Custom 4140.1 PolySign
Surface Wall Mount, Non-Illuminated

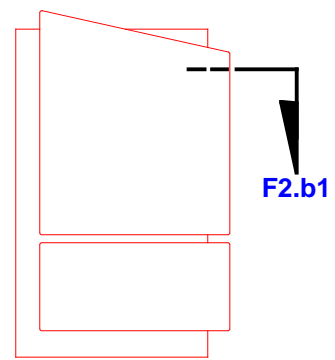
Date: 08/30/19
Drawn: RCB
Scale: As Shown
Coord.: EG
W.O.#: 467009

Sheet: F2.a

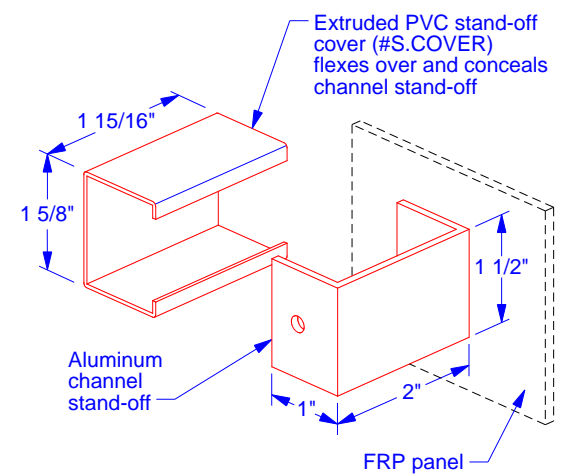


SECTION: "F2.b2"
Scale: 1/4"=1"

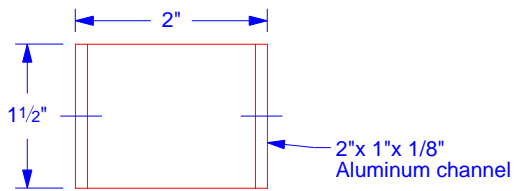
SECTION: "F2.b2"
Scale: 1"=1"



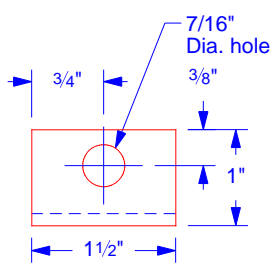
FRONT VIEW
Scale: 1/2"=1'-0"



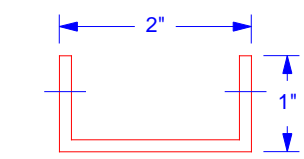
ISOMETRIC VIEW: STAND-OFF
Scale: 3/8"=1"



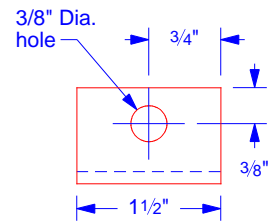
PLAN VIEW
Scale: 1/2"=1"



END VIEW
Scale: 1/2"=1"
(Sign panel side)



CHANNEL STAND-OFF
Scale: 1/2"=1"
(Qty. 6 per side)



END VIEW
Scale: 1/2"=1"
(FRP panel side)

NOTES:

1. Refer to presentation drawing and/or work order for colors and graphics specifications.
2. Channel has smaller hole on FRP panel side and larger hole on sign panel side.
3. To secure sign panels to FRP panel, channel stand-offs must be oriented as shown so welded studs are accessible.

Sign Type(s)
F2

APPROVAL REQUIRED BY: _____
DATE: _____



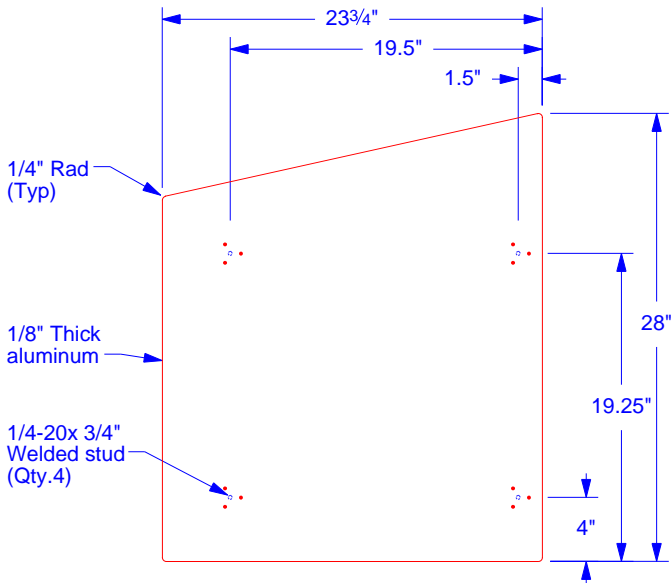
Atlanta, Georgia USA • Phone: (404) 688-9000 • Web: www.apcosigns.com

All Design Rights Reserved

Customer: Ventura County Community College
Project: Oxnard College
Sign 'F2' - Stand-off Details
Product: Custom 4140.1 PolySign
Surface Wall Mount, Non-Illuminated

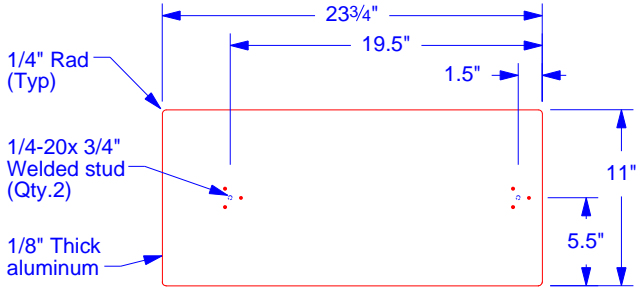
Date: 08/30/19
Drawn: RCB
Scale: As Shown
Coord.: EG
W.O.#: 467009

Sheet: F2.b



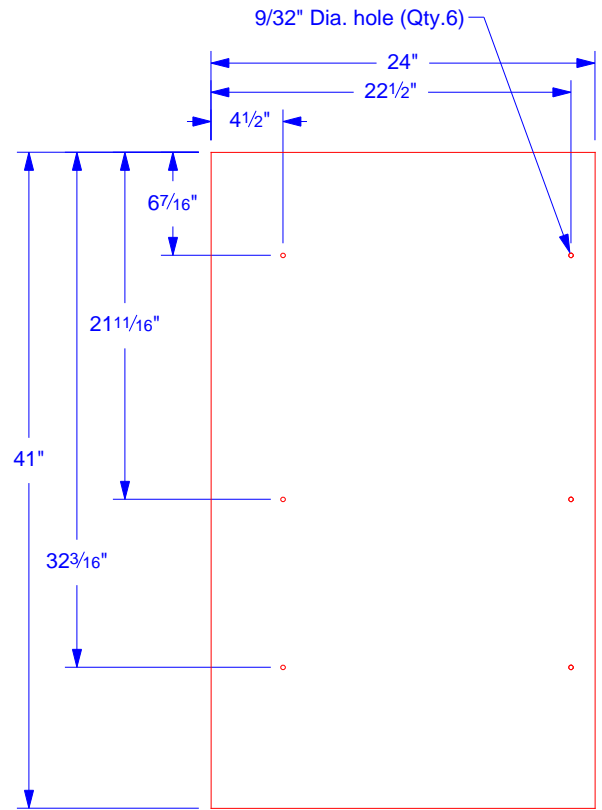
BACK VIEW: TOP PANEL

Scale: 1"=1'-0"
(Qty. 1)



BACK VIEW: BOTTOM PANEL

Scale: 1"=1'-0"
(Qty. 1)



FRONT VIEW: FRP PANEL

Scale: 1"=1'-0"
(See Note 2)

NOTES:

1. Refer to presentation drawing and/or work order for colors and graphics specifications.
2. Stand-offs are attached to FRP panel with 1/4-20 screws.

Sign Type(s)

F2

**APPROVAL
REQUIRED**

BY: _____

DATE: _____



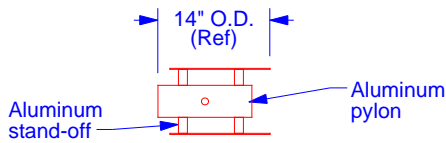
Atlanta, Georgia USA • Phone: (404) 688-9000 • Web: www.apcosigns.com

All Design Rights Reserved

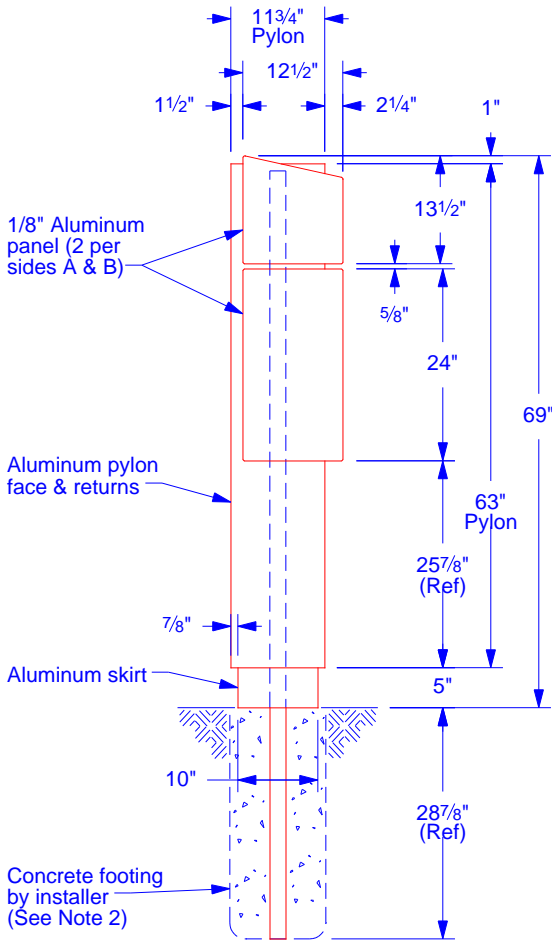
Customer: Ventura County Community College
 Project: Oxnard College
 Sign 'F2' - Sign Panel Details & Fastener Locations
 Product: Custom 4140.1 PolySign
 Surface Wall Mount, Non-Illuminated

Date: 08/30/19
 Drawn: RCB
 Scale: As Shown
 Coord.: EG
 W.O.#: 467009

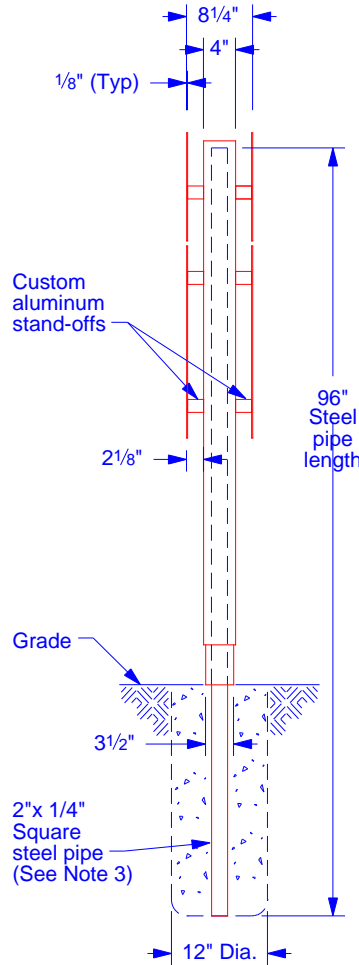
Sheet: F2.c



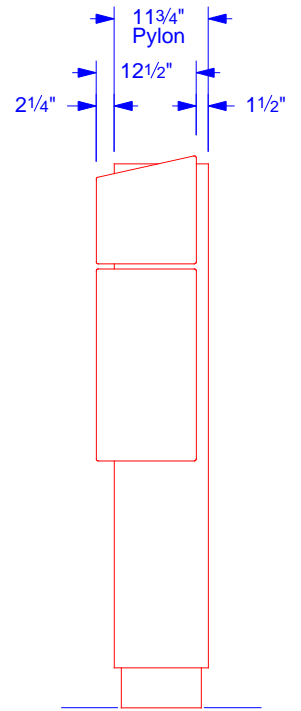
PLAN VIEW
Scale: 1/2"=1'-0"



FRONT VIEW
Scale: 1/2"=1'-0"



END VIEW
Scale: 1/2"=1'-0"



BACK VIEW
Scale: 1/2"=1'-0"

NOTES:

1. Refer to presentation drawing and/or work order for colors and graphics specifications.
2. Footing shown is for reference only. Actual design and installation is by qualified persons based on local codes and geographic practices.
3. Steel post is epoxy primed and polyurethane coated. Installer attaches to sign prior to installation.

Sign Type(s)
G

APPROVAL REQUIRED BY: _____
DATE: _____



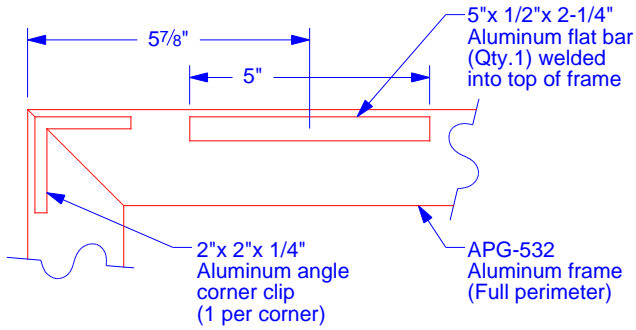
Atlanta, Georgia USA • Phone: (404) 688-9000 • Web: www.apcosigns.com

All Design Rights Reserved

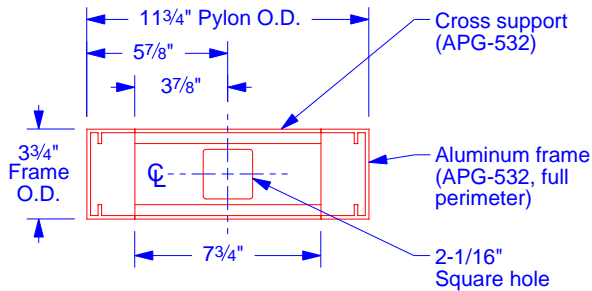
Customer: Ventura County Community College
Project: Oxnard College
Sign 'G' - Elevation Views
Product: Custom Monolithic Sign
In-Ground Mount, Non-Illuminated

Date: 08/30/19 Rev.09/04/19
Drawn: RCB
Scale: As Shown
Coord.: EG
W.O.#: 467009

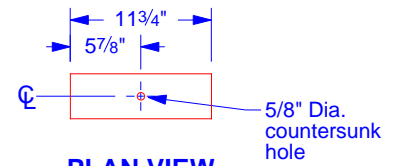
Sheet: G.a



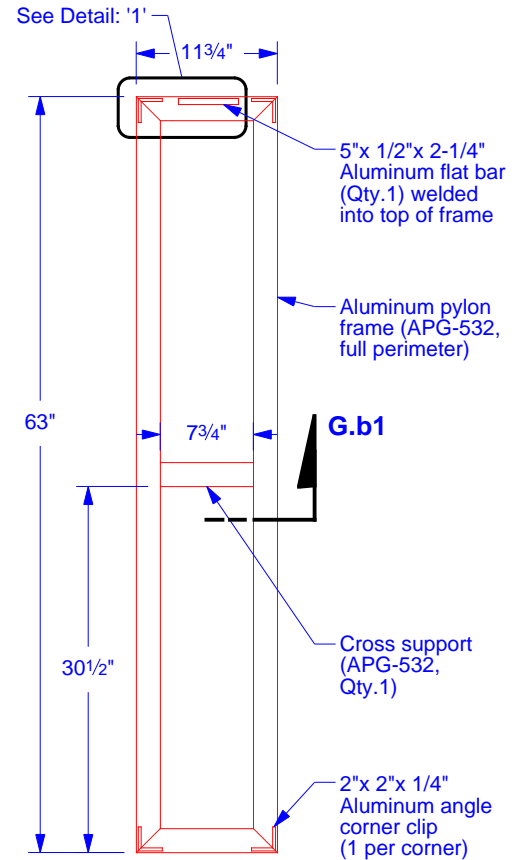
DETAIL: '1'
Scale: 1/4"=1"



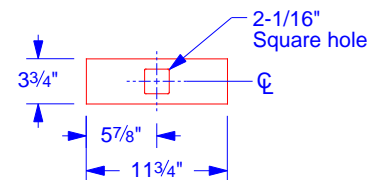
SECTION: "G.b1"
Scale: 1/8"=1"



PLAN VIEW
Scale: 3/4"=1'-0"



FRONT VIEW
Scale: 3/4"=1'-0"
(Aluminum faces not shown)



BOTTOM VIEW
Scale: 3/4"=1'-0"

Sign Type(s)
G

APPROVAL REQUIRED BY: _____
DATE: _____



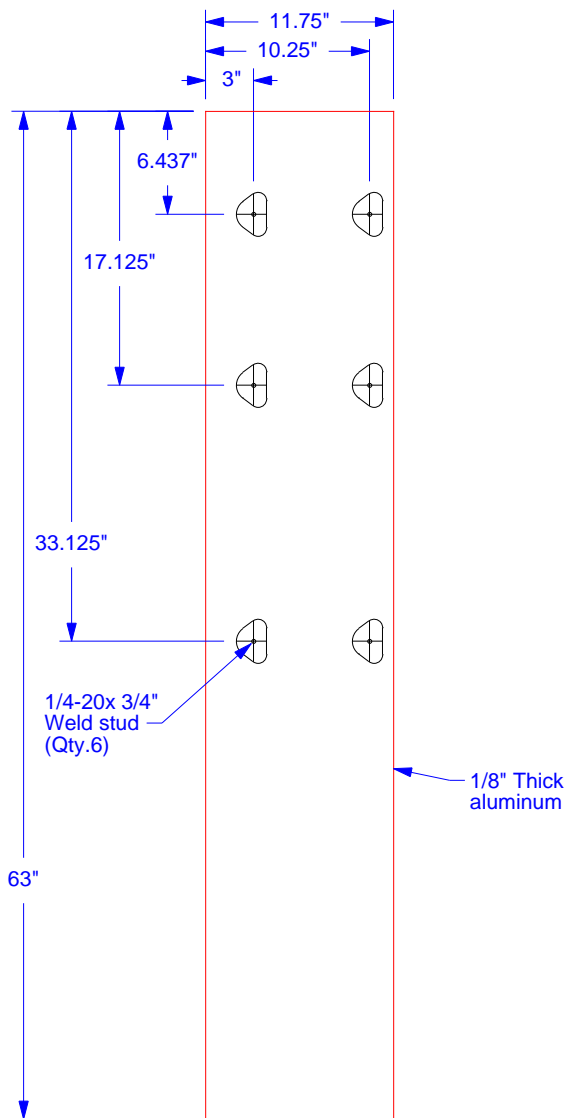
Atlanta, Georgia USA • Phone: (404) 688-9000 • Web: www.apcosigns.com

All Design Rights Reserved

Customer: Ventura County Community College
Project: Oxnard College
Sign 'G' - Pylon Details
Product: Custom Monolithic Sign
In-Ground Mount, Non-Illuminated

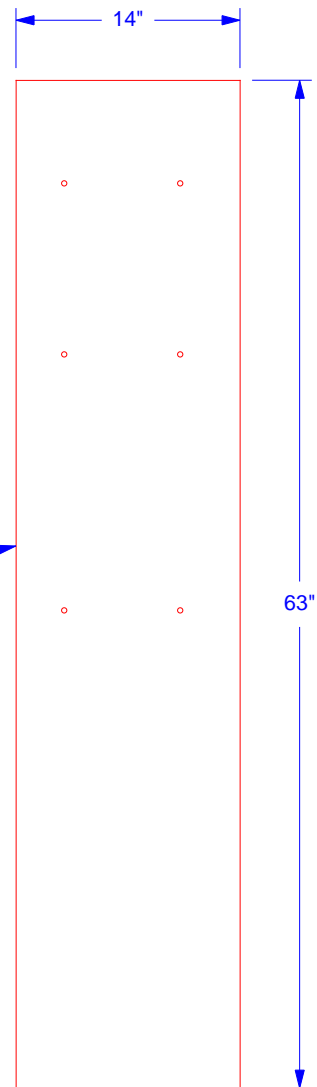
Date: 08/30/19 Rev.09/04/19
Drawn: RCB
Scale: As Shown
Coord.: EG
W.O.#: 467009

Sheet: G.b



FRONT VIEW: PYLON SIDE 'A'

Scale: 1"=1'-0"
(See Note 2)



FRONT VIEW: PYLON SIDE 'B'

Scale: 1"=1'-0"
(See Note 2)

NOTES:

1. Pylon faces are rough cut 1/4" taller and wider than pylon frame. Faces are bonded with Plexus AO 420 adhesive and routed to match pylon frame. Weld studs are located after faces are routed.
2. Stud locations in pylon Faces 'A' and 'B' are mirrored.

Sign Type(s)
G

APPROVAL REQUIRED BY: _____
DATE: _____



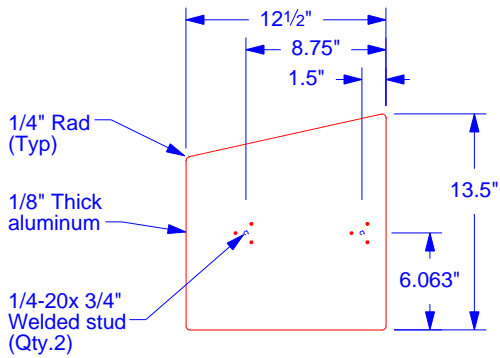
Atlanta, Georgia USA • Phone: (404) 688-9000 • Web: www.apcosigns.com

All Design Rights Reserved

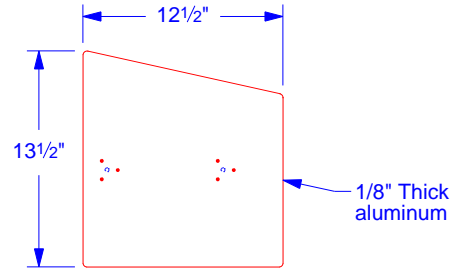
Customer: Ventura County Community College
Project: Oxnard College
Sign 'G' - Pylon Stud Locations
Product: Custom Monolithic Sign
In-Ground Mount, Non-Illuminated

Date: 08/30/19 Rev.09/04/19
Drawn: RCB
Scale: As Shown
Coord.: EG
W.O.#: 467009

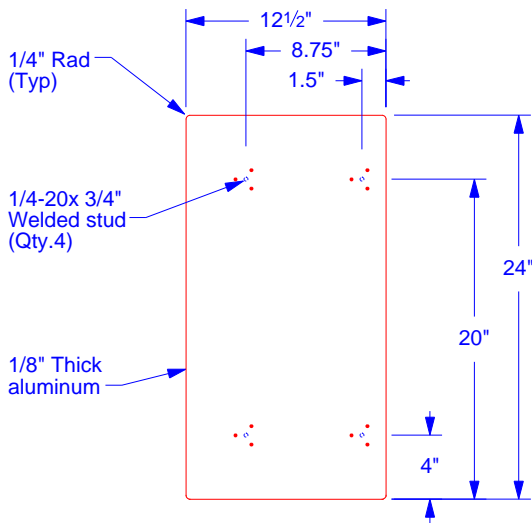
Sheet: G.c



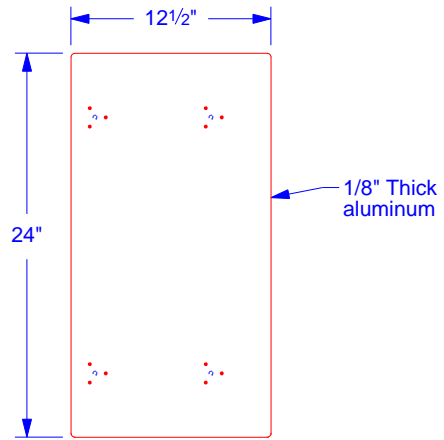
BACK VIEW:
SIDE 'A' TOP PANEL
 Scale: 1"=1'-0"
 (Qty. 1, See Note 2)



BACK VIEW:
SIDE 'B' TOP PANEL
 Scale: 1"=1'-0"
 (Qty. 1, See Note 2)



BACK VIEW:
SIDE 'A' BOTTOM PANEL
 Scale: 1"=1'-0"
 (Qty. 1, See Note 2)



BACK VIEW:
SIDE 'B' BOTTOM PANEL
 Scale: 1"=1'-0"
 (Qty. 1, See Note 2)

NOTES:

1. Refer to presentation drawing and/or work order for colors and graphics specifications.
2. Stud locations in panel Sides 'A' and 'B' are mirrored.

Sign Type(s)
G

APPROVAL REQUIRED BY: _____
 DATE: _____



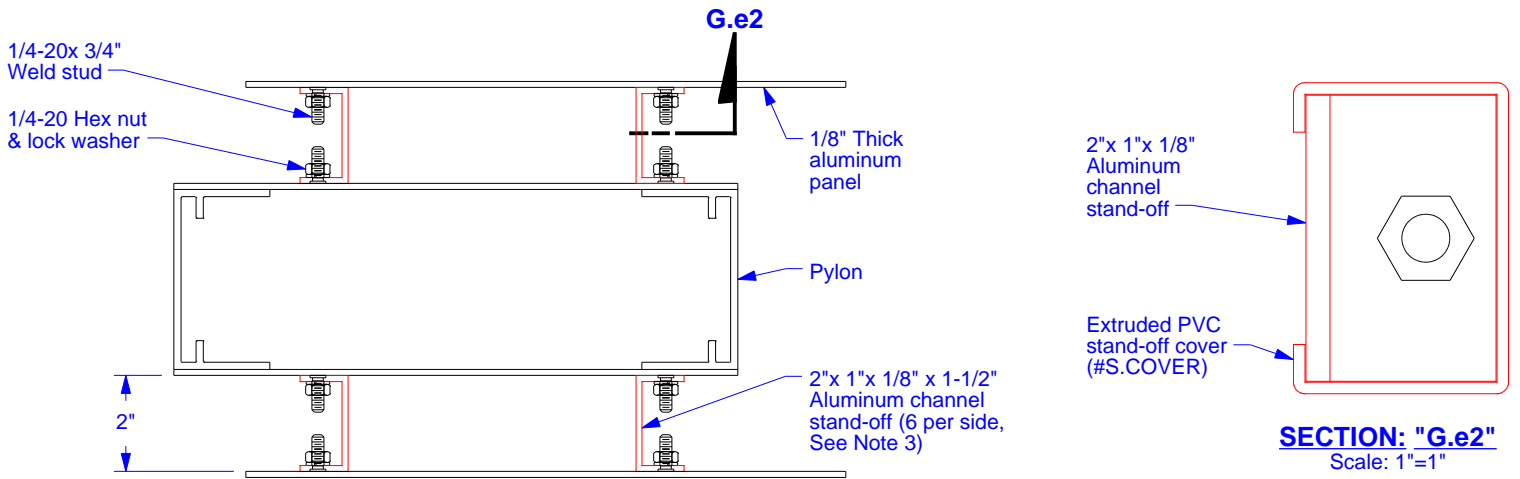
Atlanta, Georgia USA • Phone: (404) 688-9000 • Web: www.apcosigns.com

All Design Rights Reserved

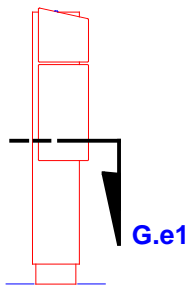
Customer: Ventura County Community College
 Project: Oxnard College
 Sign 'G' - Sign Panel Details
 Product: Custom Monolithic Sign
 In-Ground Mount, Non-Illuminated

Date: 08/30/19 Rev.09/04/19
 Drawn: RCB
 Scale: As Shown
 Coord.: EG
 W.O.#: 467009

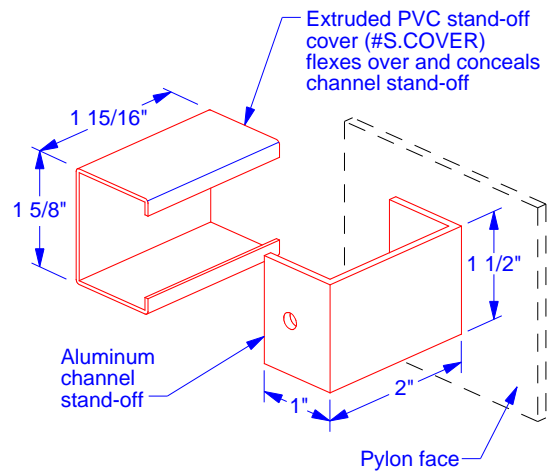
Sheet: G.d



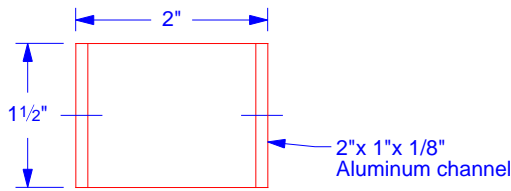
SECTION: "G1.e1"
 Scale: 1/4"=1"
 (Stand-off covers not shown)



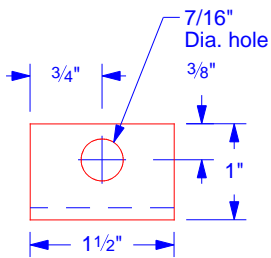
FRONT VIEW
 Scale: 1/4"=1'-0"



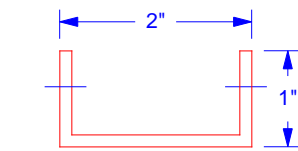
ISOMETRIC VIEW: STAND-OFF
 Scale: 3/8"=1"



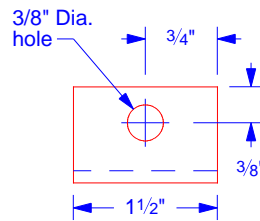
PLAN VIEW
 Scale: 1/2"=1"



END VIEW
 Scale: 1/2"=1"
 (Sign panel side)



CHANNEL STAND-OFF
 Scale: 1/2"=1"
 (Qty. 6 per side)



END VIEW
 Scale: 1/2"=1"
 (Pylon side)

NOTES:

1. Refer to presentation drawing and/or work order for colors and graphics specifications.
2. Channel has smaller hole on the pylon side and larger hole on panel side.
3. To secure panels to pylon, channel stand-offs must be oriented as shown so welded studs are accessible.

Sign Type(s)
G

APPROVAL REQUIRED BY: _____
 DATE: _____



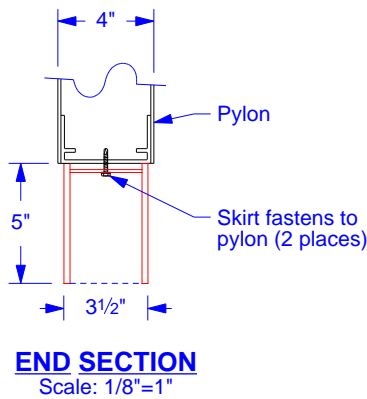
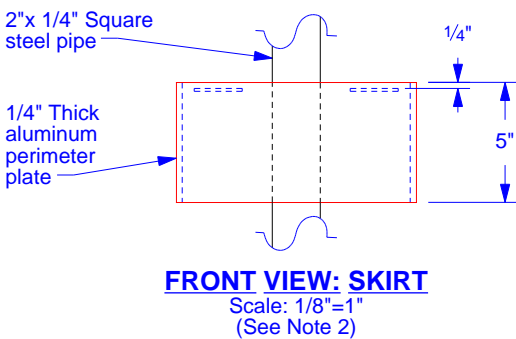
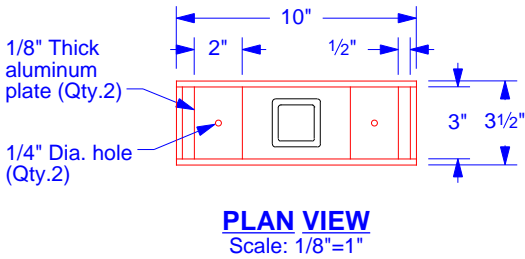
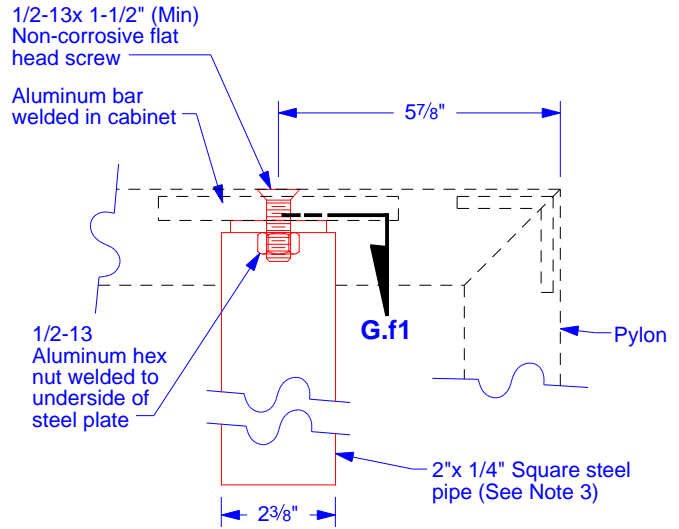
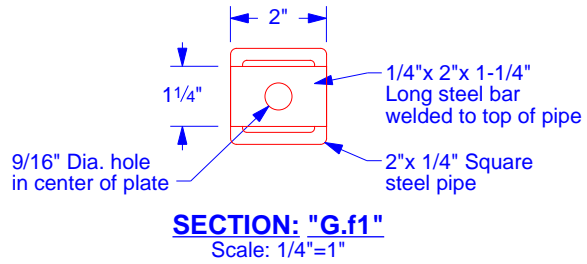
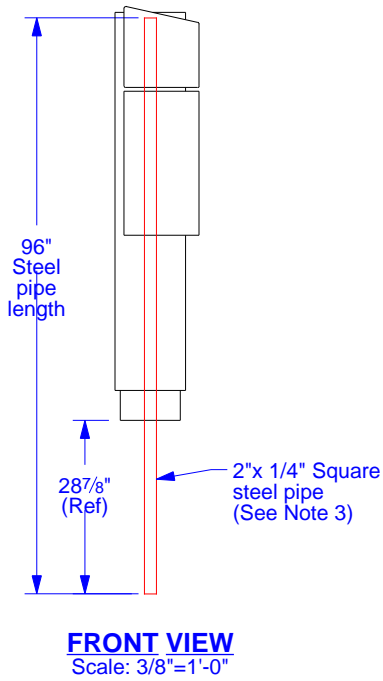
Atlanta, Georgia USA • Phone: (404) 688-9000 • Web: www.apcosigns.com

All Design Rights Reserved

Customer: Ventura County Community College
 Project: Oxnard College
 Sign 'G' - Stand-off Details
 Product: Custom Monolithic Sign
 In-Ground Mount, Non-Illuminated

Date: 08/30/19 Rev.09/04/19
 Drawn: RCB
 Scale: As Shown
 Coord.: EG
 W.O.#: 467009

Sheet: G.e



NOTES:

1. Refer to presentation drawing and/or work order for colors and graphics specifications.
2. Skirt is preassembled to pylon.
3. Steel pipe/post is epoxy primed and polyurethane coated. Installer attaches to sign prior to installation.

Sign Type(s)

G

**APPROVAL
REQUIRED**

BY: _____

DATE: _____



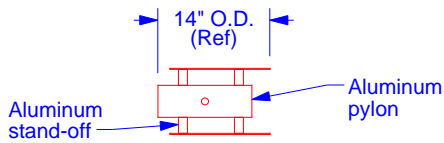
Atlanta, Georgia USA • Phone: (404) 688-9000 • Web: www.apcosigns.com

All Design Rights Reserved

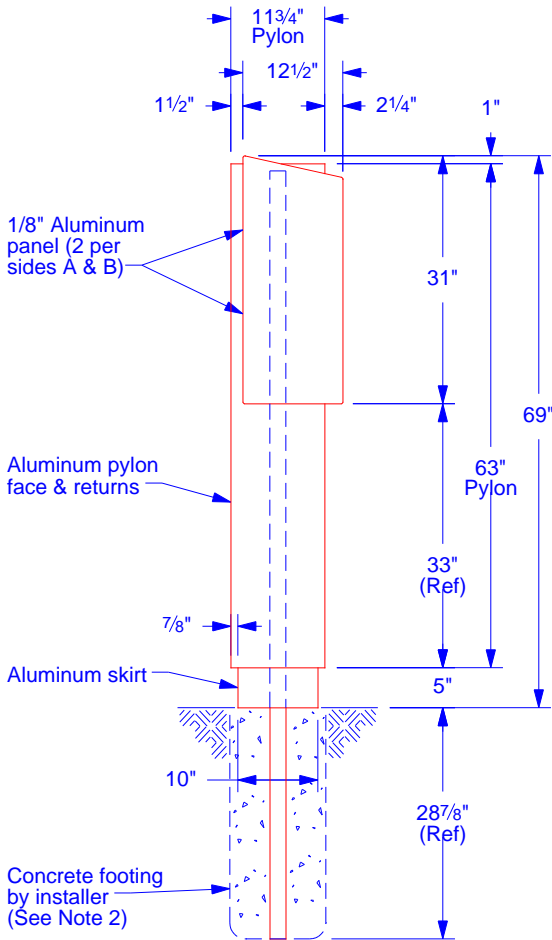
Customer: Ventura County Community College
Project: Oxnard College
Sign 'G' - Post & Skirt Details
Product: Custom Monolithic Sign
In-Ground Mount, Non-Illuminated

Date: 08/30/19 Rev.09/04/19
Drawn: RCB
Scale: As Shown
Coord.: EG
W.O.#: 467009

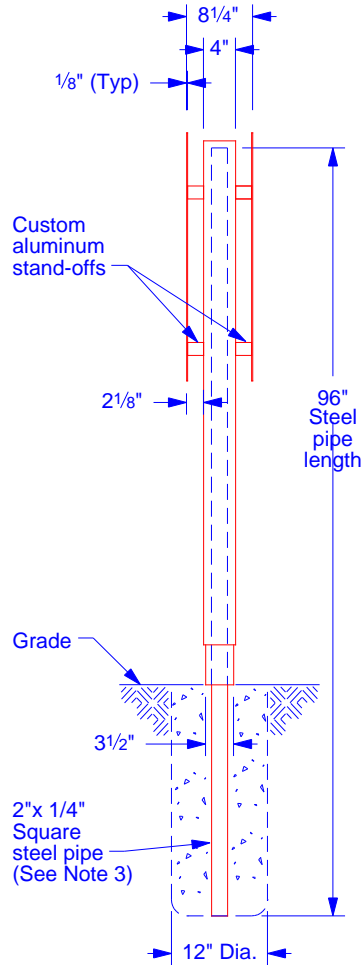
Sheet: G.f



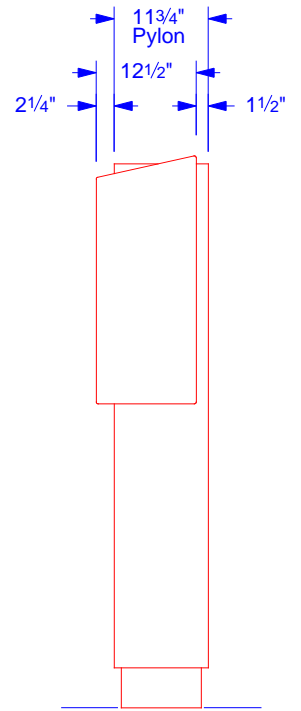
PLAN VIEW
Scale: 1/2"=1'-0"



FRONT VIEW
Scale: 1/2"=1'-0"



END VIEW
Scale: 1/2"=1'-0"



BACK VIEW
Scale: 1/2"=1'-0"

NOTES:

1. Refer to presentation drawing and/or work order for colors and graphics specifications.
2. Footing shown is for reference only. Actual design and installation is by qualified persons based on local codes and geographic practices.
3. Steel post is epoxy primed and polyurethane coated. Installer attaches to sign prior to installation.

Sign Type(s)
H

APPROVAL REQUIRED BY: _____
DATE: _____



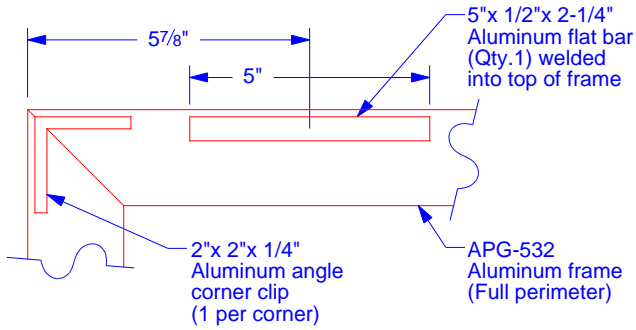
Atlanta, Georgia USA • Phone: (404) 688-9000 • Web: www.apcosigns.com

All Design Rights Reserved

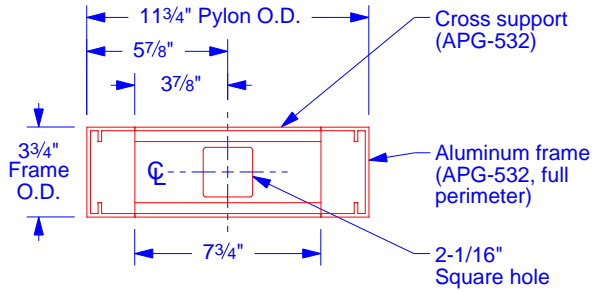
Customer: Ventura County Community College
Project: Oxnard College
Sign 'H' - Elevation Views
Product: Custom Monolithic Sign
In-Ground Mount, Non-Illuminated

Date: 08/30/19 Rev.09/04/19
Drawn: RCB
Scale: As Shown
Coord.: EG
W.O.#: 467009

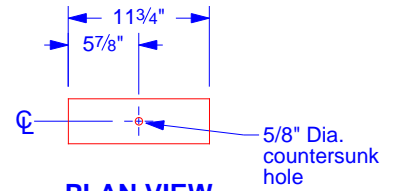
Sheet: H.a



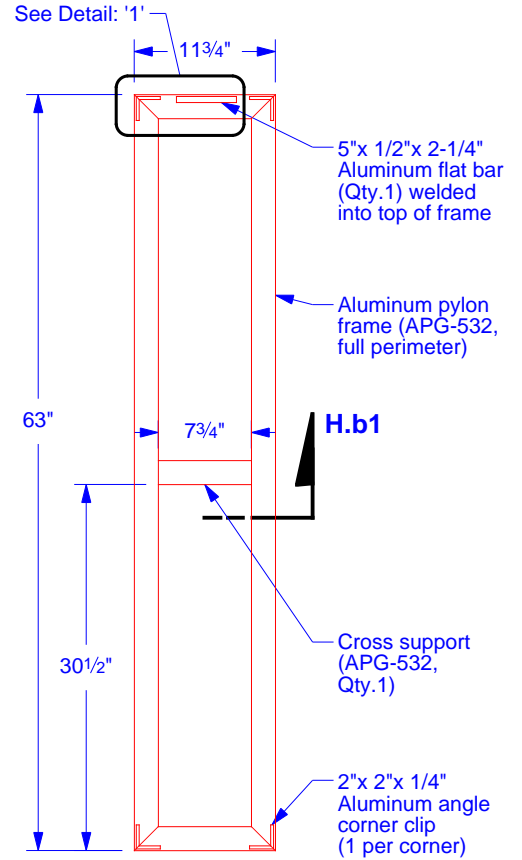
DETAIL: '1'
Scale: 1/4"=1"



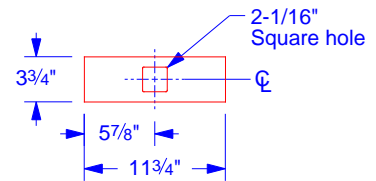
SECTION: "H.b1"
Scale: 1/8"=1"



PLAN VIEW
Scale: 3/4"=1'-0"



FRONT VIEW
Scale: 3/4"=1'-0"
(Aluminum faces not shown)



BOTTOM VIEW
Scale: 3/4"=1'-0"

Sign Type(s)
H

APPROVAL REQUIRED BY: _____
DATE: _____



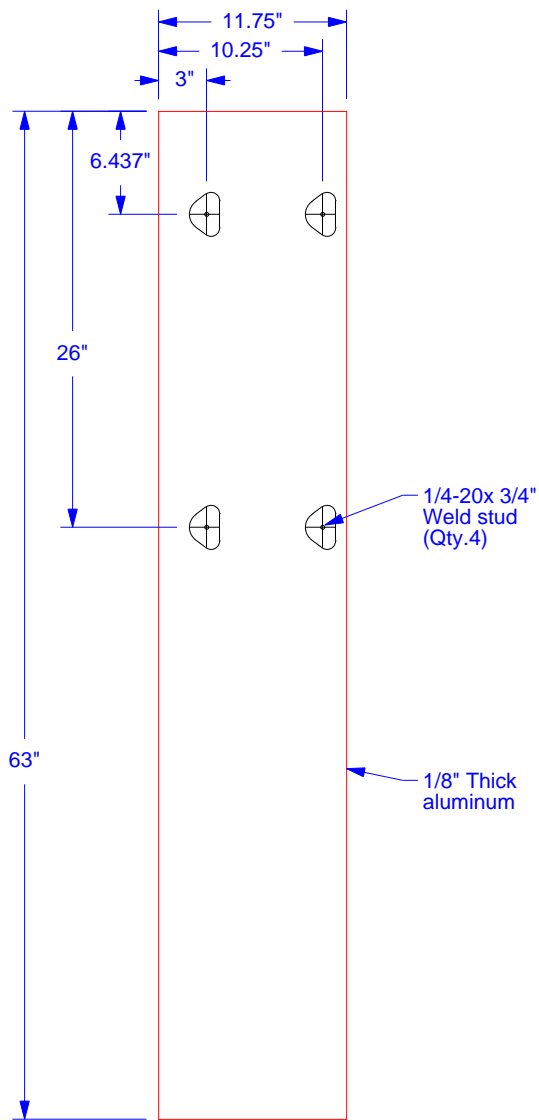
Atlanta, Georgia USA • Phone: (404) 688-9000 • Web: www.apcosigns.com

All Design Rights Reserved

Customer: Ventura County Community College
Project: Oxnard College
Sign 'H' - Pylon Details
Product: Custom Monolithic Sign
In-Ground Mount, Non-Illuminated

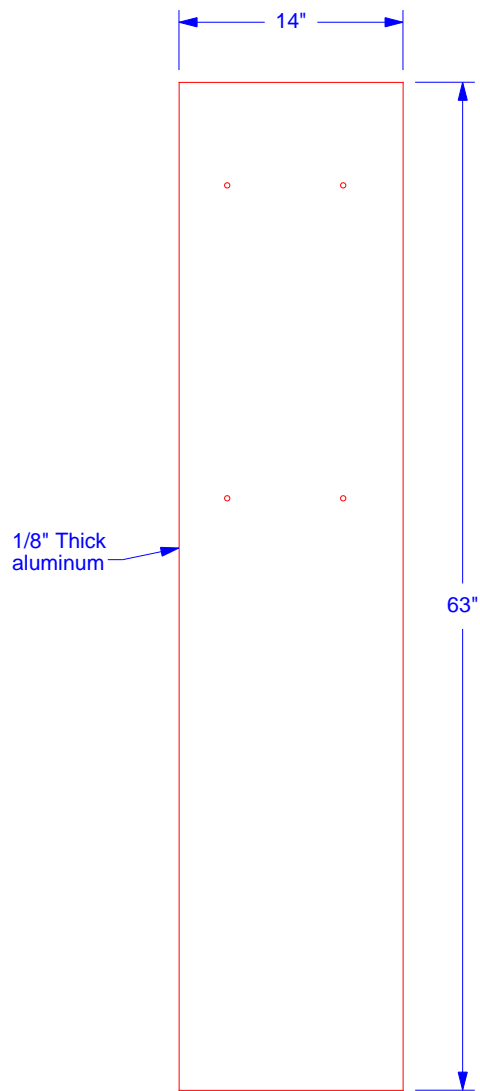
Date: 08/30/19 Rev.09/04/19
Drawn: RCB
Scale: As Shown
Coord.: EG
W.O.#: 467009

Sheet: H.b



FRONT VIEW: PYLON SIDE 'A'

Scale: 1"=1'-0"
(See Note 2)



FRONT VIEW: PYLON SIDE 'B'

Scale: 1"=1'-0"
(See Note 2)

NOTES:

1. Pylon faces are rough cut 1/4" taller and wider than pylon frame. Faces are bonded with Plexus AO 420 adhesive and routed to match pylon frame. Weld studs are located after faces are routed.
2. Stud locations in pylon Faces 'A' and 'B' are mirrored.

Sign Type(s)
H

**APPROVAL
REQUIRED**

BY: _____
DATE: _____



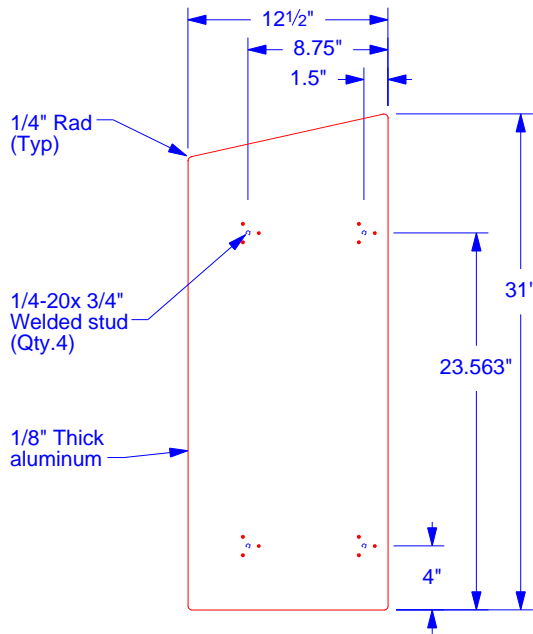
Atlanta, Georgia USA • Phone: (404) 688-9000 • Web: www.apcosigns.com

All Design Rights Reserved

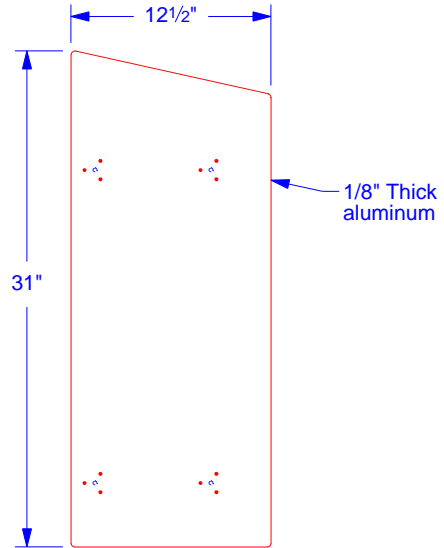
Customer: Ventura County Community College
Project: Oxnard College
Sign 'H' - Pylon Stud Locations
Product: Custom Monolithic Sign
In-Ground Mount, Non-Illuminated

Date: 08/30/19 Rev.09/04/19
Drawn: RCB
Scale: As Shown
Coord.: EG
W.O.#: 467009

Sheet: H.c



**BACK VIEW:
SIDE 'A' PANEL**
Scale: 1"=1'-0"
(Qty. 1, See Note 2)



**BACK VIEW:
SIDE 'B' PANEL**
Scale: 1"=1'-0"
(Qty. 1, See Note 2)

NOTES:

1. Refer to presentation drawing and/or work order for colors and graphics specifications.
2. Stud locations in panel Sides 'A' and 'B' are mirrored.

Sign Type(s)
H

**APPROVAL
REQUIRED**

BY: _____
DATE: _____



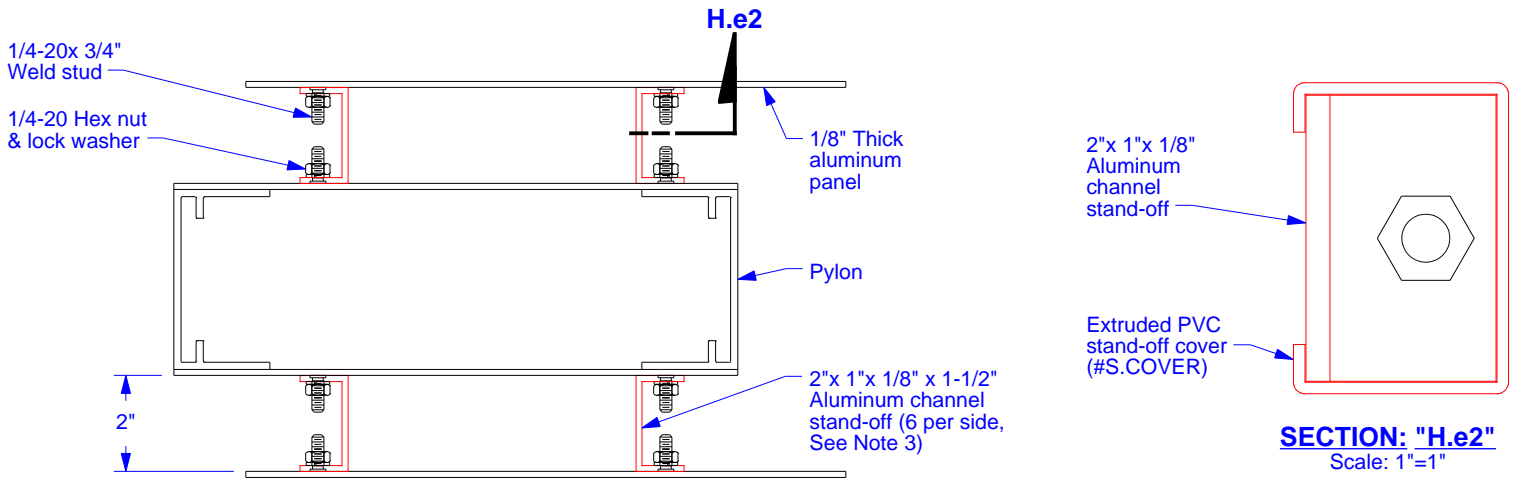
Atlanta, Georgia USA • Phone: (404) 688-9000 • Web: www.apcosigns.com

All Design Rights Reserved

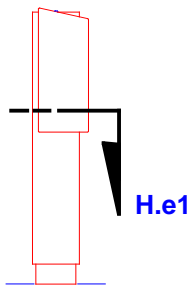
Customer: Ventura County Community College
Project: Oxnard College
Sign 'H' - Sign Panel Details
Product: Custom Monolithic Sign
In-Ground Mount, Non-Illuminated

Date: 08/30/19 Rev.09/04/19
Drawn: RCB
Scale: As Shown
Coord.: EG
W.O.#: 467009

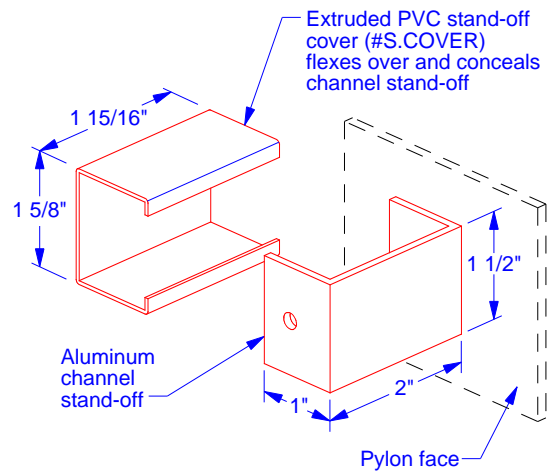
Sheet: H.d



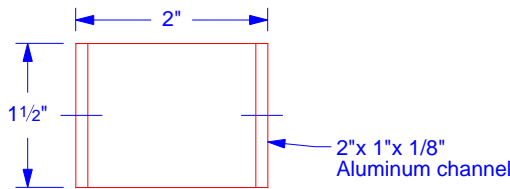
SECTION: "H.e1"
 Scale: 1/4"=1"
 (Stand-off covers not shown)



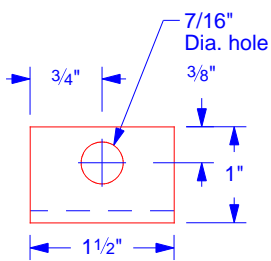
FRONT VIEW
 Scale: 1/4"=1'-0"



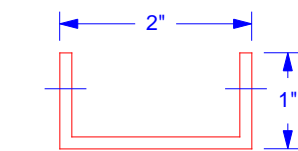
ISOMETRIC VIEW: STAND-OFF
 Scale: 3/8"=1"



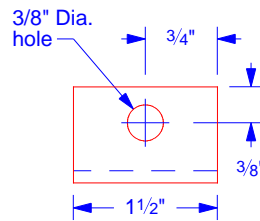
PLAN VIEW
 Scale: 1/2"=1"



END VIEW
 Scale: 1/2"=1"
 (Sign panel side)



CHANNEL STAND-OFF
 Scale: 1/2"=1"
 (Qty. 6 per side)



END VIEW
 Scale: 1/2"=1"
 (Pylon side)

NOTES:

1. Refer to presentation drawing and/or work order for colors and graphics specifications.
2. Channel has smaller hole on the pylon side and larger hole on panel side.
3. To secure panels to pylon, channel stand-offs must be oriented as shown so welded studs are accessible.

Sign Type(s)
H

APPROVAL REQUIRED BY: _____
 DATE: _____



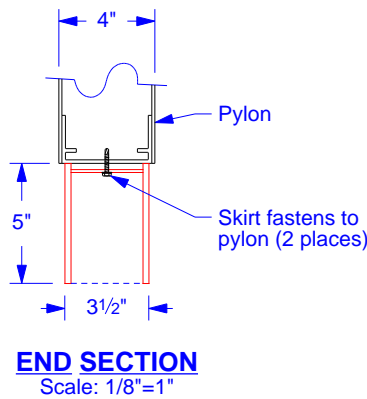
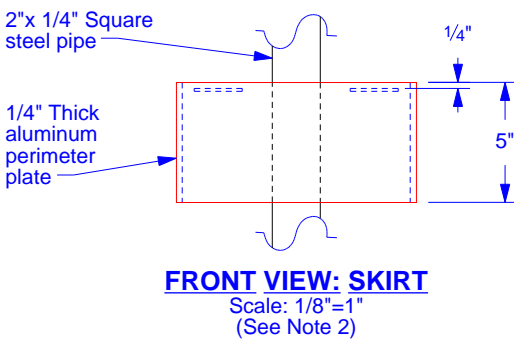
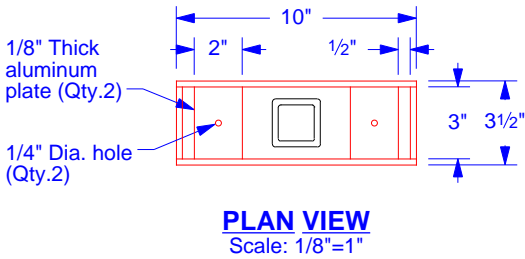
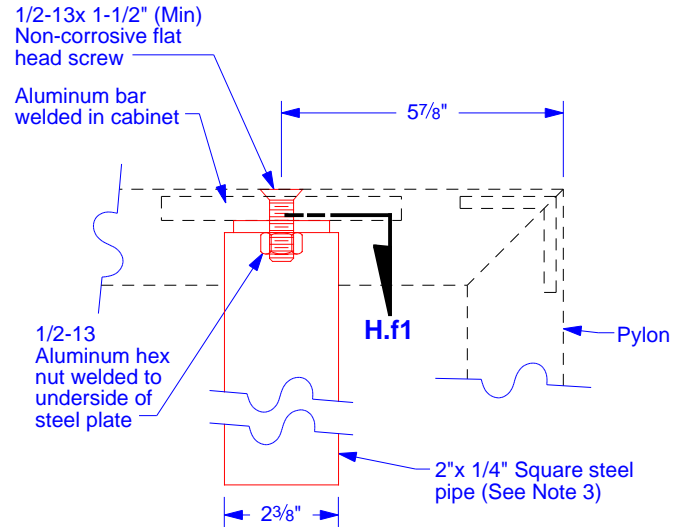
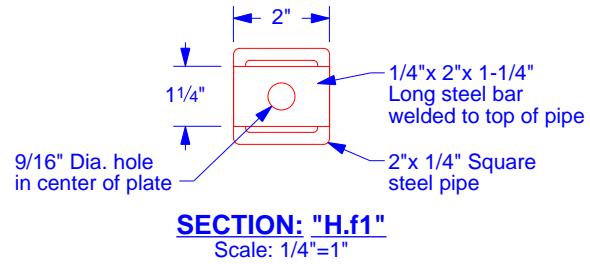
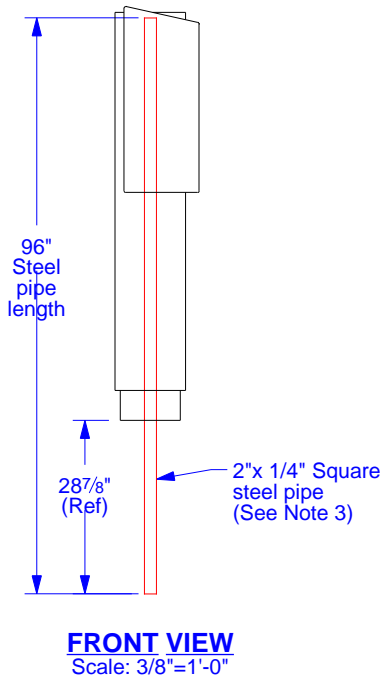
Atlanta, Georgia USA • Phone: (404) 688-9000 • Web: www.apcosigns.com

All Design Rights Reserved

Customer: Ventura County Community College
 Project: Oxnard College
 Sign 'H' - Stand-off Details
 Product: Custom Monolithic Sign
 In-Ground Mount, Non-Illuminated

Date: 08/30/19 Rev.09/04/19
 Drawn: RCB
 Scale: As Shown
 Coord.: EG
 W.O.#: 467009

Sheet: H.e



NOTES:

1. Refer to presentation drawing and/or work order for colors and graphics specifications.
2. Skirt is preassembled to pylon.
3. Steel pipe/post is epoxy primed and polyurethane coated. Installer attaches to sign prior to installation.

Sign Type(s)
H

APPROVAL REQUIRED BY: _____
DATE: _____



Atlanta, Georgia USA • Phone: (404) 688-9000 • Web: www.apcosigns.com

All Design Rights Reserved

Customer: Ventura County Community College
Project: Oxnard College
Sign 'H' - Post & Skirt Details
Product: Custom Monolithic Sign
In-Ground Mount, Non-Illuminated

Date: 08/30/19 Rev.09/04/19
Drawn: RCB
Scale: As Shown
Coord.: EG
W.O.#: 467009

Sheet: H.f