



Ventura County Community College District

PURCHASING DEPARTMENT

DATE: 04/17/26
TO: All Bidders
FROM: David Cienfuegos, Purchasing Specialist
SUBJECT: Addendum 1 – Bid 726 Moorpark College TB-210 CNSE & Accounting
Computer Classroom HVAC Modifications

This addendum is hereby made part of the Contract Documents to the same extent as though it was originally included therein and takes precedence over the original documents. The outdated pages must be replaced with any updated and/or changed pages when submitting your bid. Acknowledge receipt of all addenda on the Bid Form.

The bid opening remains on **Tuesday, April 21st, 2026**. Bids must be received no later than **3:30 p.m.** at 761 E Daily Drive, Suite 200, Camarillo, CA 93010. Properly mark the outside of the exterior envelope on your submitted bid with the Bid Number and Name according to the requirements stated in the bid packet directions.

If you choose not to participate in this particular bid, please sign the Bid Proposal stating “no bid” and email or fax it back to me at 805-652-7700.

It is the responsibility of the Bidder to verify that their proposal has been received by the VCCCD Purchasing Department prior to the opening date. Verification of receipt can be made through the listed Purchasing Specialist.

Attached please find revised mechanical plans Bid 727 MECH ADDENDUM #1 for additional clouded revisions to the plans.

The following information is in answer to questions that were asked at the job walk and via email request. The deadline for questions was Friday, April 14th, 2026. No further questions will be accepted.

1. Please advise where we can connect power to the units as the electrical connections are not identified in plan provided.
 - a. Power is shown on the revised mechanical plans attached.
2. ALC preferred vendor?
 - a. Any Automated Logic Controls qualified Vendor, Campus currently uses Sunbelt.
3. Pipes to be hanged?
 - a. From Deck, see plan detail 4/M2.0

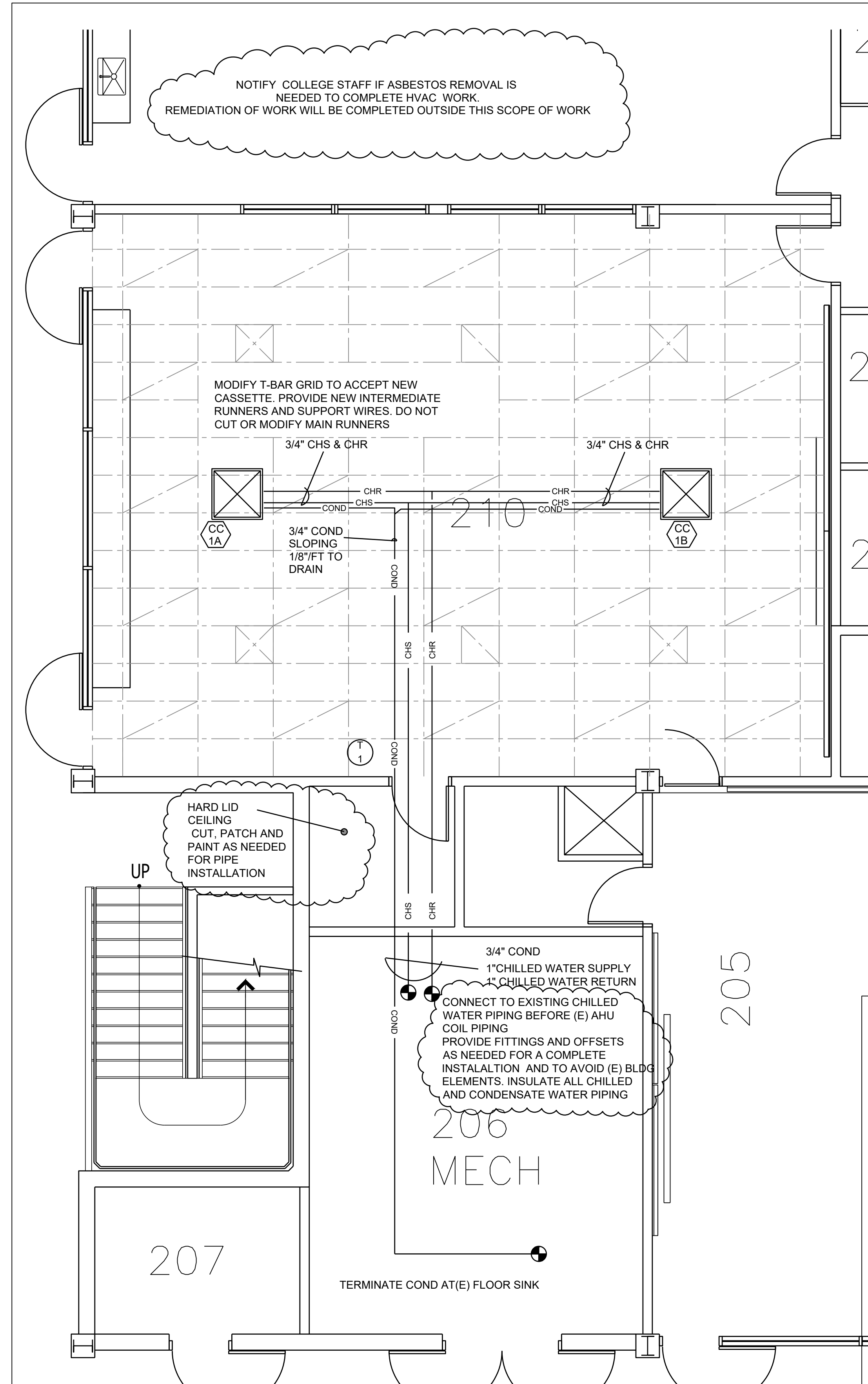


Ventura County Community College District

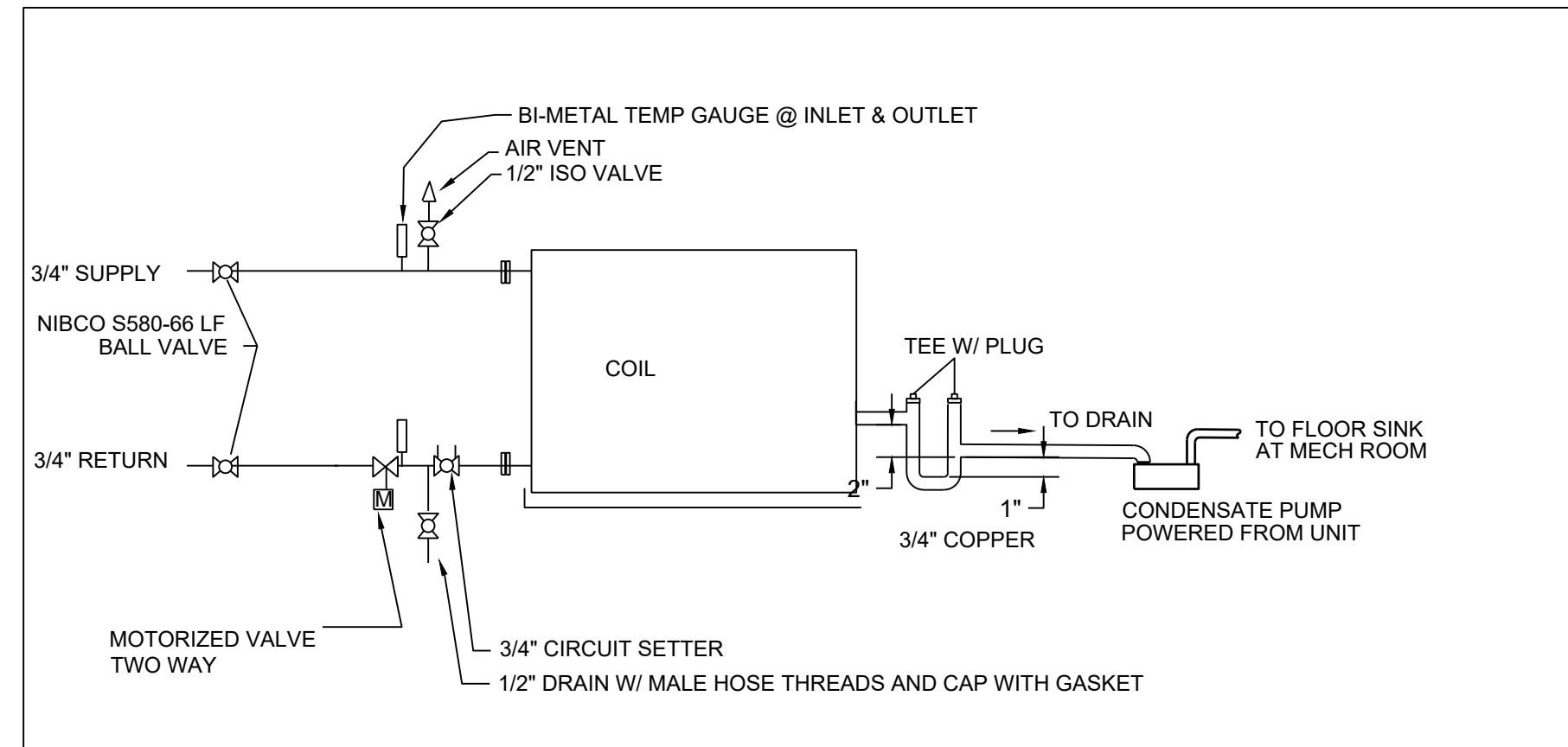
PURCHASING DEPARTMENT

4. Is there a known presence of encapsulated asbestos insulation within the building? How is contractor to proceed if asbestos is found.
 - a. Contractor is to mark locations with asbestos if found. Campus will remove.

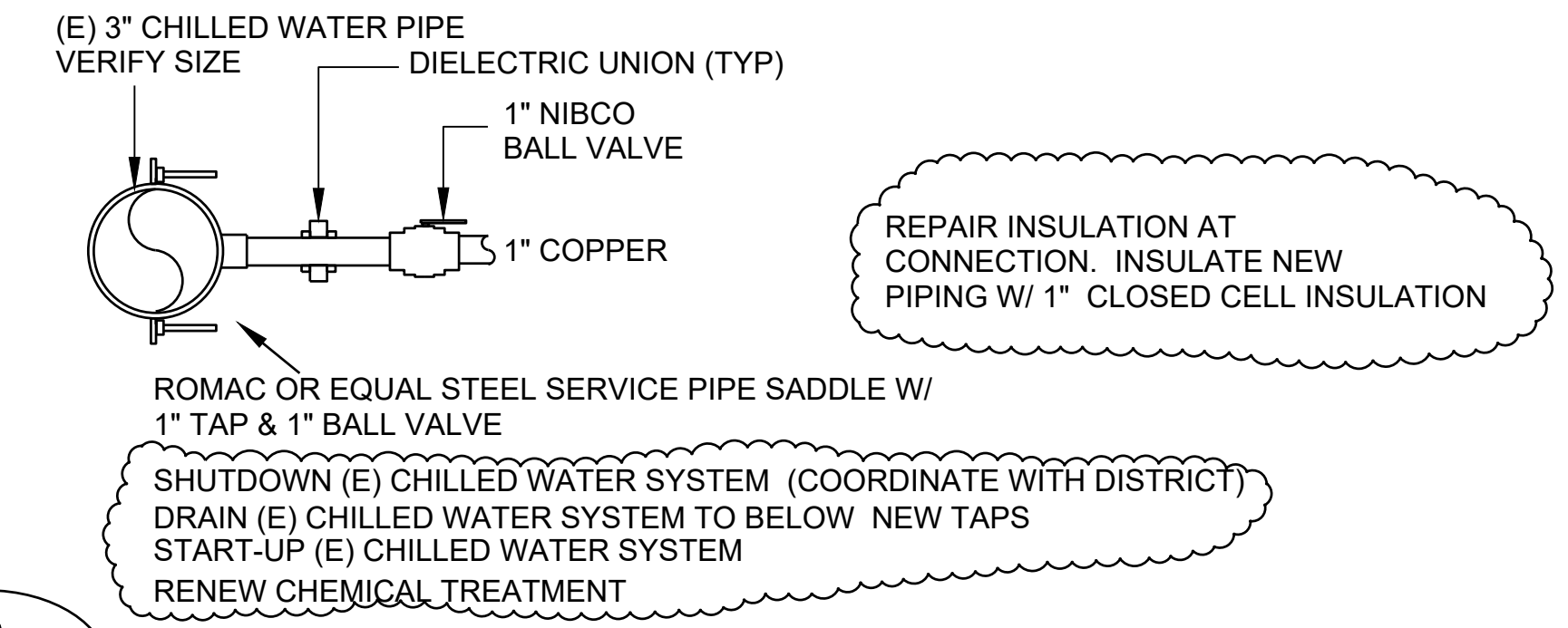
End of Section



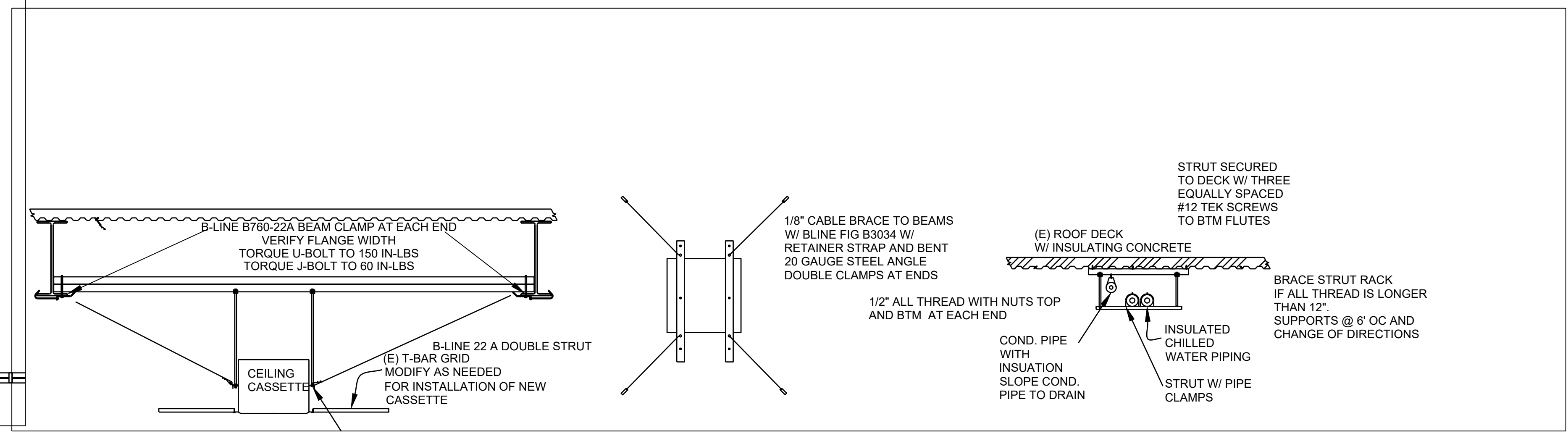
1
M2 MECHANICAL FLOOR PLAN
SCALE: 1/4" = 1'0"



2
M2 FAN COIL PIPING
NO SCALE



3
M2 CONNECT TO (E) PIPING
NO SCALE



4
M2 SUPPORT DETAIL
NO SCALE

REV.	DATE
1	4-16-26

AE Group
Mechanical Engineers
838 East Front Street
Ventura, California 93001-2925
(805) 653-1722
hugh@ae-groupme.com

MOORPARK COLLEGE
7075 CAMPUS ROAD, MOORPARK, CALIFORNIA 93021
VENTURA COUNTY COMMUNITY COLLEGE DISTRICT

DEPARTMENT OF
MAINTENANCE & OPERATIONS
7075 CAMPUS RD.
MOORPARK, CA. 93021
PHONE: (805) 378-1454 FAX: (805) 378-1593

SCALE: AS SHOWN
DATE: 02-18-26
SHEET NO. M2.0
TECHNOLOGY BUILDING
TB-210 CNS/ACCOUNTING COMPUTER
CLASSROOM HVAC SYSTEM
MECHANICAL FLOOR PLAN
AND DETAILS

