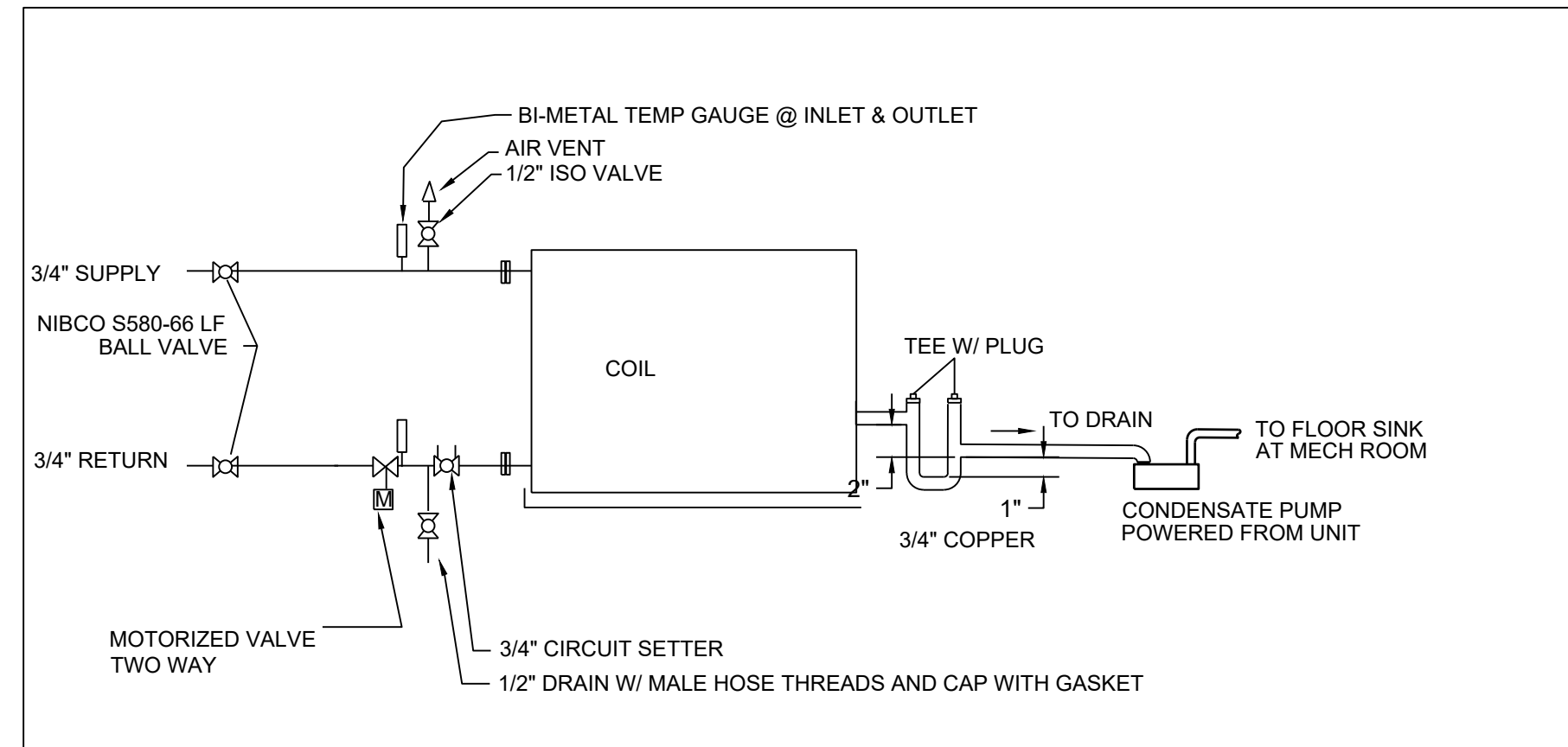
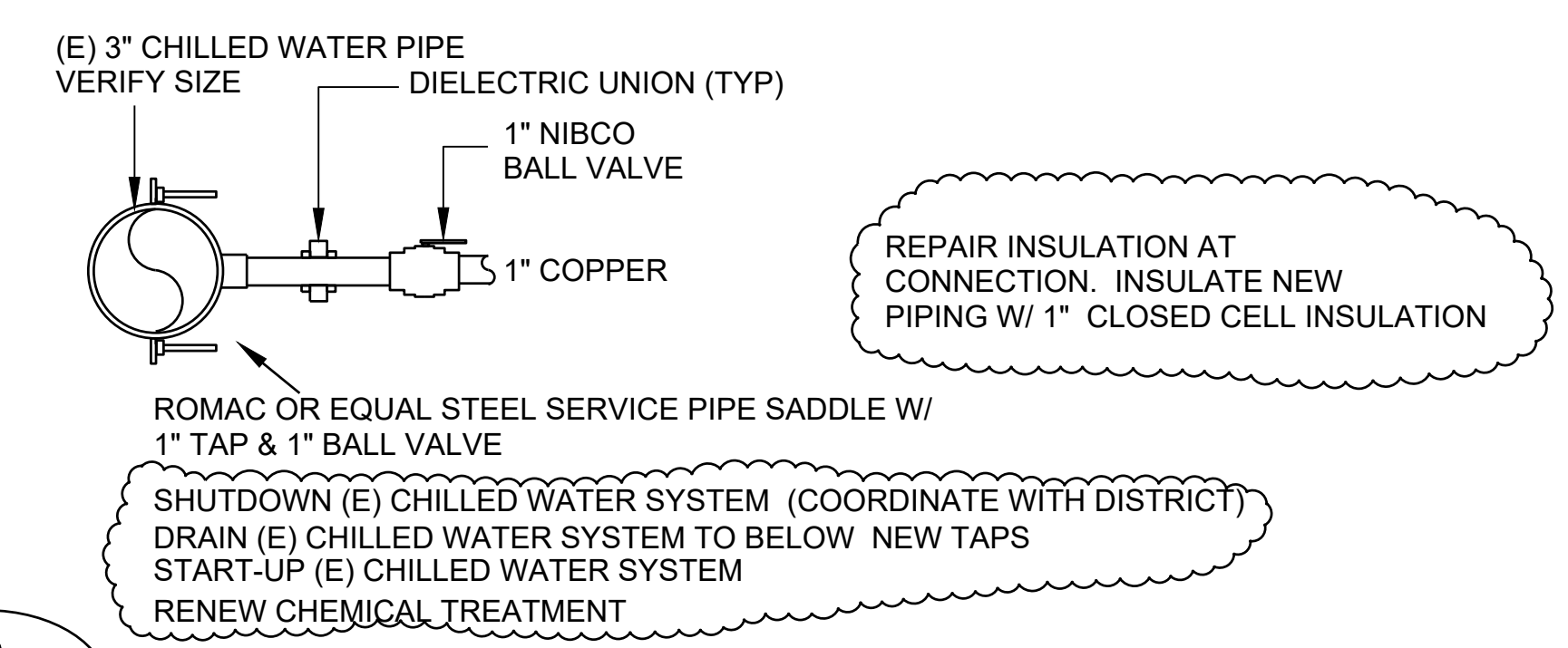


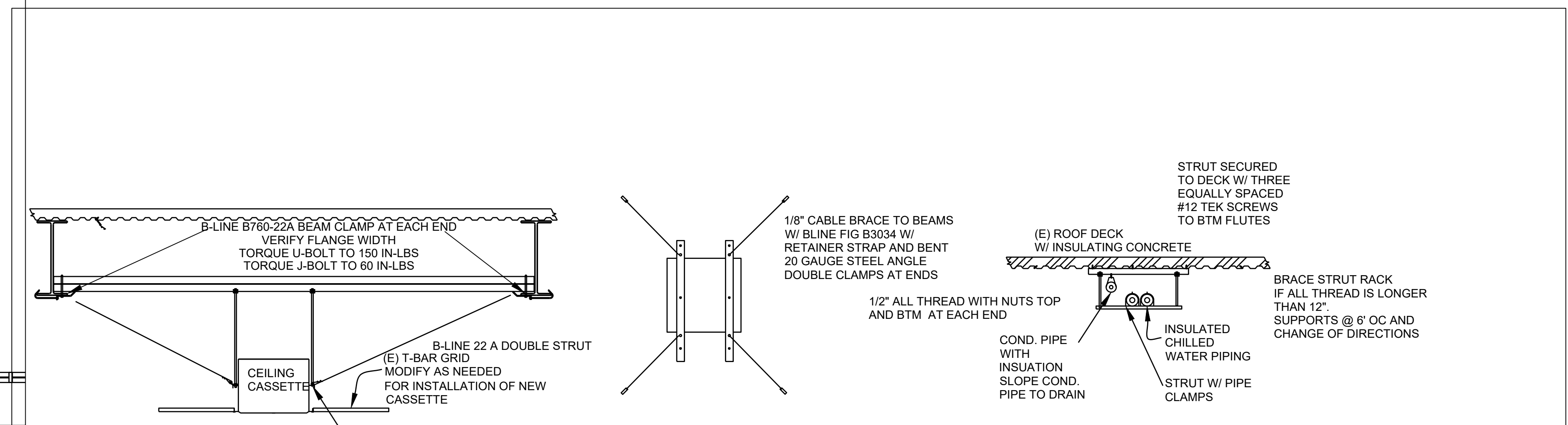
1
M2 MECHANICAL FLOOR PLAN
SCALE: 1/4" = 1'0"



2
M2 FAN COIL PIPING
NO SCALE



3
M2 CONNECT TO (E) PIPING
NO SCALE



4
M2 SUPPORT DETAIL
NO SCALE

REV.	DATE
1	4-16-26

AE Group
Mechanical Engineers
838 East Front Street
Ventura, California 93001-2925
(805) 653-1722
hugh@ae-groupme.com

MOORPARK COLLEGE
7075 CAMPUS ROAD, MOORPARK, CALIFORNIA 93021
VENTURA COUNTY COMMUNITY COLLEGE DISTRICT

DEPARTMENT OF
MAINTENANCE & OPERATIONS
7075 CAMPUS RD.
MOORPARK, CA. 93021
PHONE: (805) 378-1454 FAX: (805) 378-1593

SCALE: AS SHOWN
DATE: 02-18-26
SHEET NO. M2.0
TECHNOLOGY BUILDING
TB-210 CNS/ACCOUNTING COMPUTER
CLASSROOM HVAC SYSTEM
MECHANICAL FLOOR PLAN
AND DETAILS

