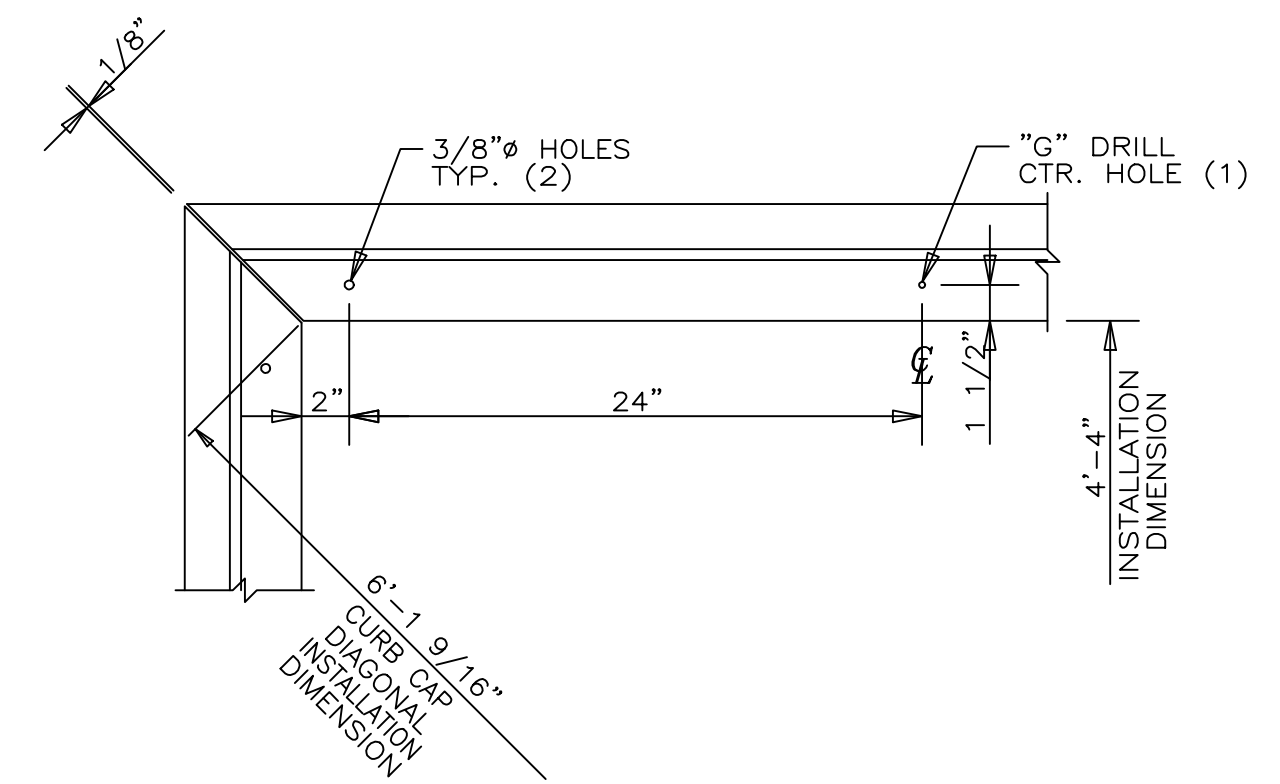


SP5-33 PYRAMID  
SKYROOF PLAN (4) REQ'D

RELEASE #1

EXT. FACE SHEET: .070 WHITE SW  
INT. FACE SHEET: .045 WHITE S171  
U-FACTOR: .53  
LIGHT TRANS: 20%

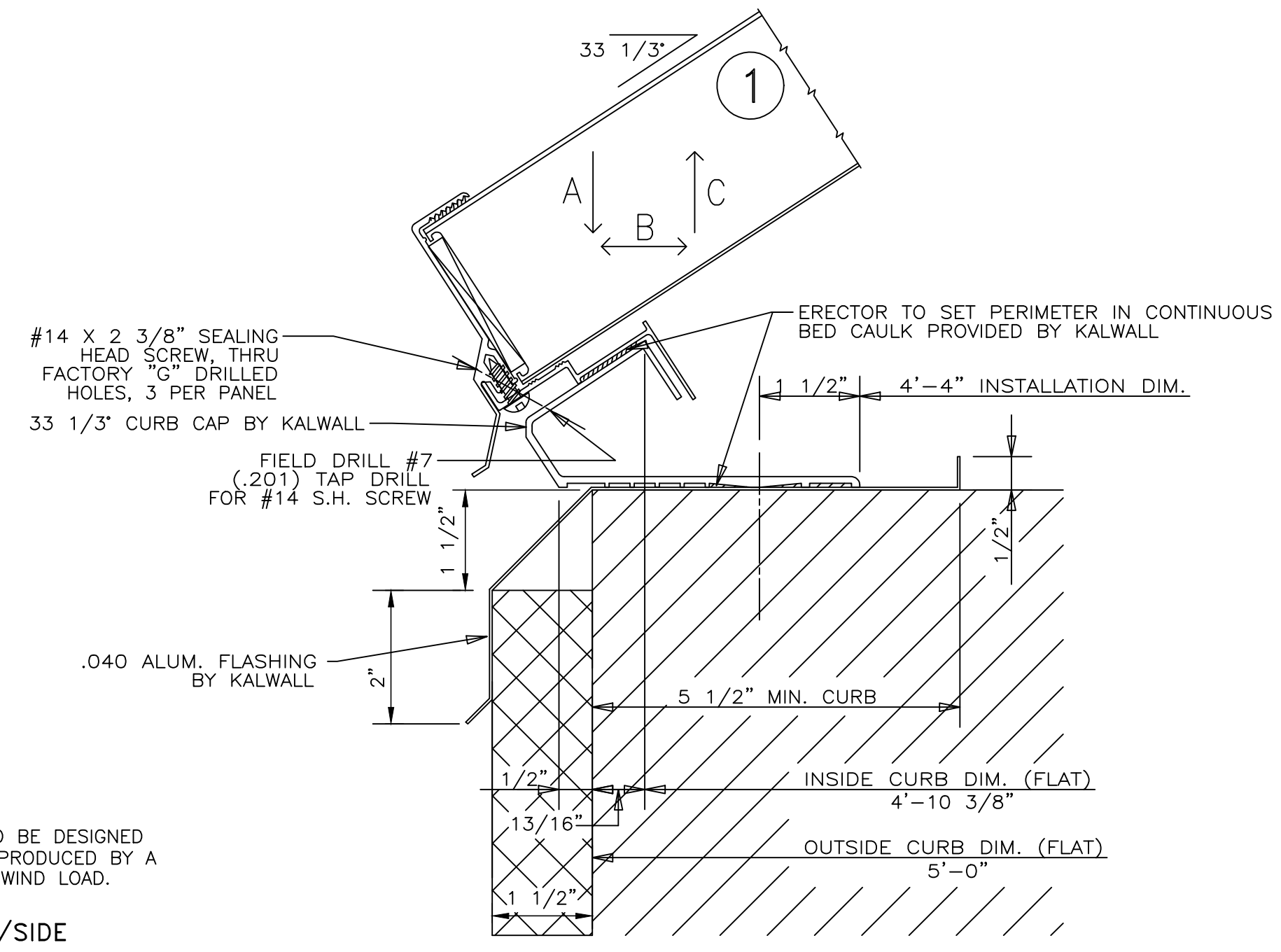
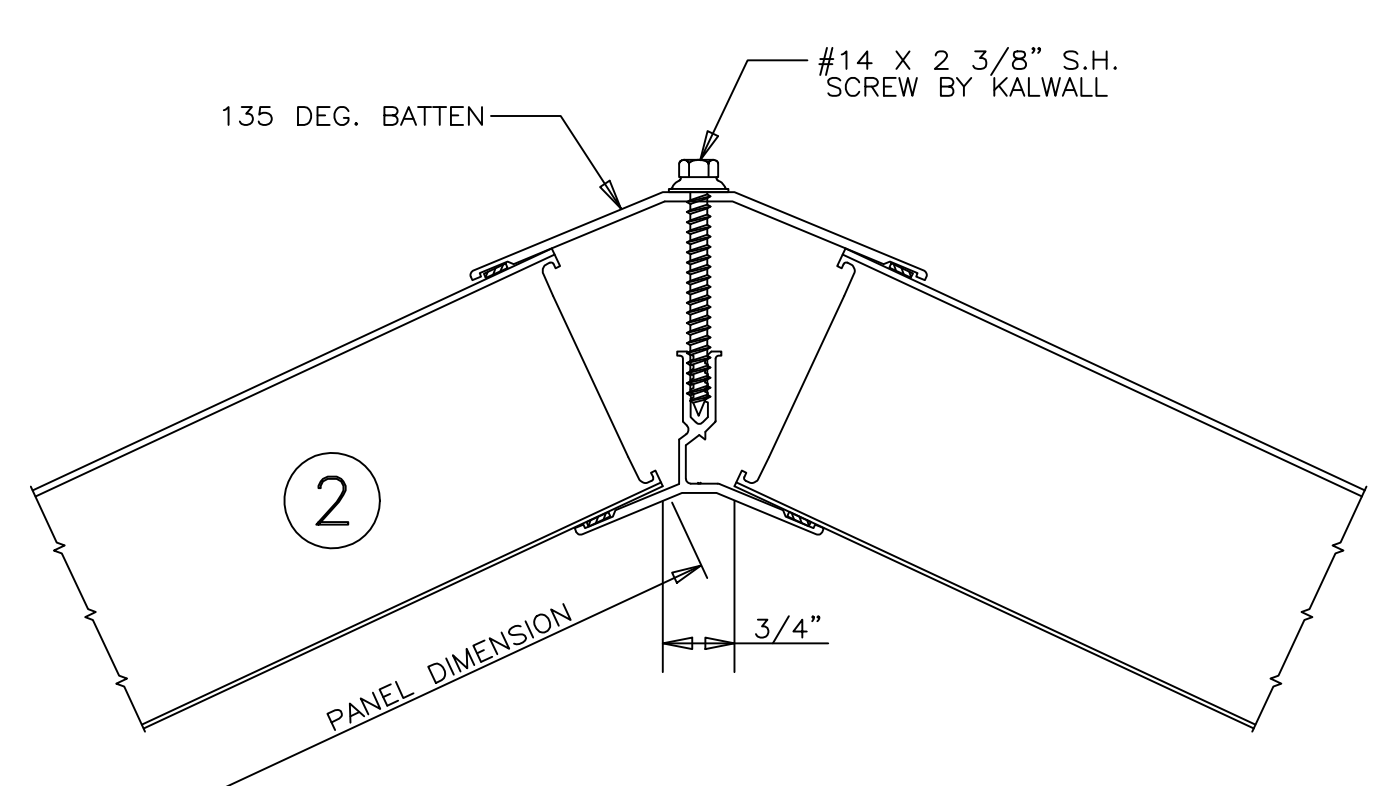


CURB CAP PLAN

SUGGESTED FASTENING OF CURB CAP TO CURB

CURB TYPE	FASTENER *	SPACING
WOOD	#14 R.H. S.S. - 4" LG.	24" O.C.
STEEL	#14 R.H. S.S. - 1" LG.	24" O.C.
CONCRETE	1/4" X 3 1/4" POWER STUD CAT #7404	24" O.C.

\*\*NOT SUPPLIED BY KALWALL UNLESS INSTALLED BY KALWALL\*\*  
ALL FASTENERS TO BE IN HOLE 1/8" LARGER THAN FASTENER DIA.  
HOLE AT CTR. OF CURB TO BE SAME DIA. AS FASTENER



\*\* THRUST NOTE \*\*  
THE CURB, NOT BY KALWALL, IS TO BE DESIGNED TO RESIST THE FOLLOWING FORCES PRODUCED BY A 20 PSF LIVE LOAD AND A 30 PSF WIND LOAD.

A. \_\_\_\_\_ 140 \_\_\_\_\_ LBS/SIDE  
B. \_\_\_\_\_ 125 \_\_\_\_\_ LBS/SIDE  
C. \_\_\_\_\_ 190 \_\_\_\_\_ LBS/SIDE

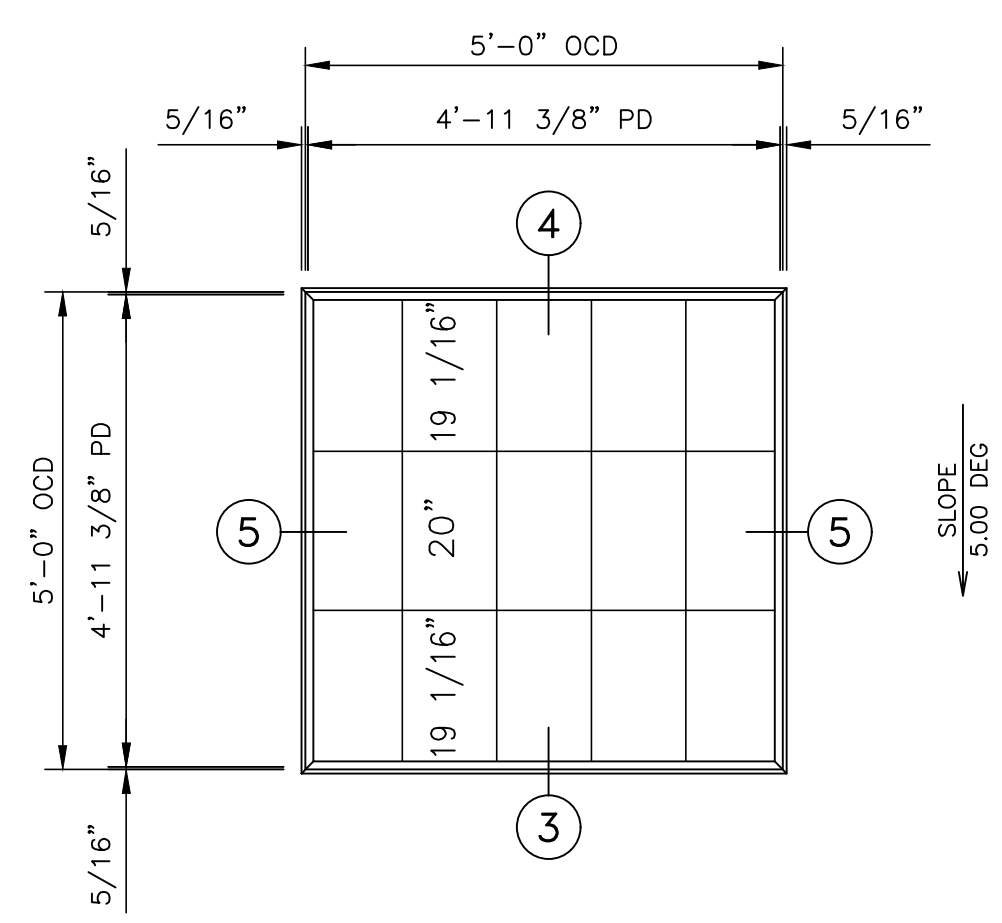
NOTE  
INSTALLER TO SET ENTIRE PERIMETER EDGE IN A CONTINUOUS BED OF CAULKING, AND ISOLATE ALUMINUM FROM DISSIMILAR METALS TO PREVENT ELECTROLYSIS.

GENERAL NOTES

- Installation**
  - A. Labor NOT BY KALWALL
  - B. Field Dimensions
  - C. Bed Caulking
  - D. Fasteners to Building
- Panels**
  - A. Thickness 2 3/4"
  - B. Exterior Face .070 WHITE SW
  - C. Interior Face .045 WHITE S-171
  - D. Grid 12" X 24" SHOJI
  - E. "U" Factor .53 (WALLS, PYR) .29, .26 (BY NFRC METHOD)
  - F. Light Transmission 20%, 15%, 10%
  - G. Color Inserts NONE
  - H. Width & Height Tolerances = ±3/32"
- Windows**
  - A. Type 2 3/4" FIXED "HC" SASH TYPE A
  - B. Hardware
  - C. Aluminum Screens NO
  - D. Special
- Glazing**
  - A. Supplier NOT BY KALWALL
  - B. Glazing 1" INSULATING GLASS
  - C. Exterior Lite
  - D. Air Space
  - E. Interior Lite
  - F. Coating/Pattern
  - G. Special
- Wall**
  - A. (X) Std. System ( ) Thermal Break ( ) Super Break
  - B. ( ) Explosion Venting to Release at \_\_\_\_\_ PSF
  - C. (X) Exterior Fastened (X) Interior Fastened
  - D. Design Wind Load .30 PSF
  - E. Deflection Requirement ( ) L/60 (X) L/180
- Roof**
  - A. (X) Skyroof (X) Skylight ( ) Kalcurve
  - B. Actual Slope 33.33° 13" SRR, 5" SKYLIGHT
  - C. Design Live Load .20 PSF
  - D. Design Wind Load .30 PSF
  - E. Design Snow Load \_\_\_\_\_ PSF
  - F. Design Drift Load 0 PSF
  - G. Deflection Requirement ( ) L/60 (X) L/180
  - H. Perimeter Corners Factory Mitered & Welded
  - J. Perimeter Factory Assembled to Panels
- Finish for Exposed Aluminum**
  - A. ( ) Mill
  - B. (X) Corrosion Resistant ALUMINUM #79
  - C. ( )
- Special Materials**
  - A. \_\_\_\_\_
  - B. \_\_\_\_\_
  - C. \_\_\_\_\_
  - D. \_\_\_\_\_
  - E. \_\_\_\_\_
  - F. \_\_\_\_\_
  - G. \_\_\_\_\_

RELEASE DIRECTORY

RELEASE NUMBER	DATE	BY	SHEET NUMBERS					
			B	P	F	W	G	S
1	5/27/03	HEM	1,2,3,8	1-3	1-8	-	-	1-9
2	8/22/03	GLL	1,4,5,6,8,9	4-7	9-18	-	-	10-18
3	10/8/03	PJC	1,6,7,9,10	8	19-21	-	-	19-21
4	1/9/04	MES	1,6,10	9	22	1	-	22,23
C06474	3/22/04	JJS	1,3,6,8,9	10	23	-	-	24



SHED ROOF PLAN VIEW (2) REQ'D

REV.	DATE	DESCRIPTION	DRAWN BY	CHECKED BY
5	3/22/04	C06474: REPLACEMENT PANEL (R39 NOW R115), JAMBS (J2,J4)	JJS	CRS
4	1/9/04	RELEASE #4	MES	GAW
3	10/8/03	RELEASE #3	PJC	NCD
2	8/22/03	RELEASE #2	GLL	DRS
1	5/27/03	RELEASE #1	HEM	DRS

DRAWINGS ISSUED BY KALWALL® CORP. ILLUSTRATE THE COMPLETE SCOPE OF WORK TO BE PERFORMED BY KALWALL. IF SCOPE OF WORK DOES NOT INCLUDE INSTALLATION, JOINT SYSTEMS AND METHODS FOR JOINING KALWALL PANEL TO KALWALL PANEL AND KALWALL PANEL TO BUILDING ARE SUGGESTED SYSTEMS AND METHODS ONLY AND WHERE AS WE BELIEVE THEY ARE ENTIRELY SATISFACTORY, THEY ARE SUGGESTED ONLY AND NO WARRANTY IS EXPRESSED OR IMPLIED. APPROVAL OF THESE DRAWINGS ACKNOWLEDGES THESE FACTS AND AUTHORIZES MANUFACTURE OF ALL ITEMS AS SHOWN AND DIMENSIONED.

ARCHITECT APPROVAL  
DATE: \_\_\_\_\_

CUSTOMER APPROVAL  
DATE: \_\_\_\_\_

PROJECT: VENTURA COMM. COLLEGE LEARNING RESOURCE CTR  
LOCATION: VENTURA, CALIFORNIA  
ARCHITECT: KRUEGER BENSON ZIEMER

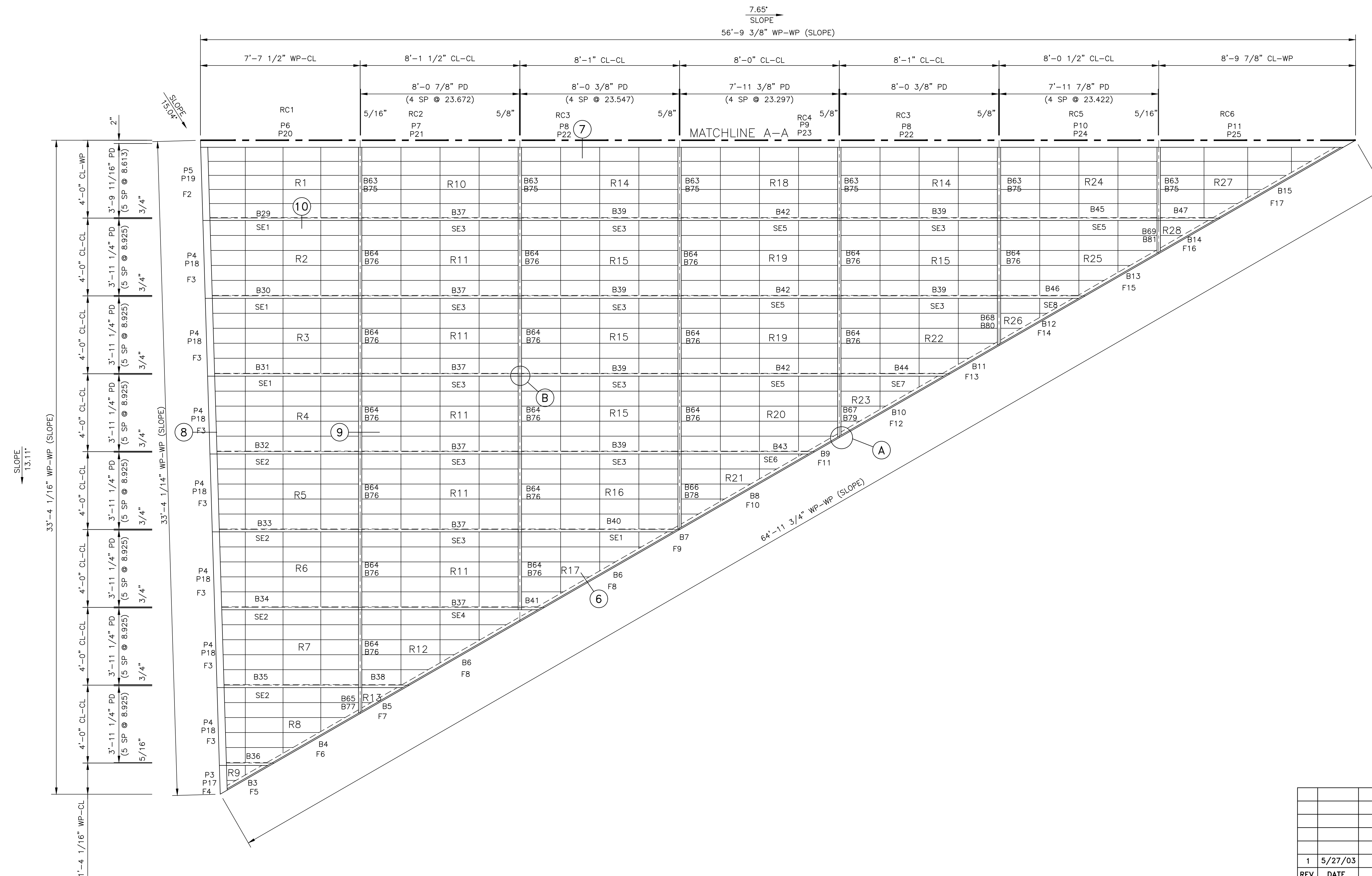
ORDER NO. 025915  
DRAWN BY: DATE: DT 10/16/02  
CHECKED BY: DATE: PAD 10/30/02  
PROJ.CRD. NG

KALWALL® CORPORATION  
MANCHESTER, N.H.

DRAWING NO. K02-1433  
SHEET NO. B 1 OF 10

SP0533

K0214-33b1



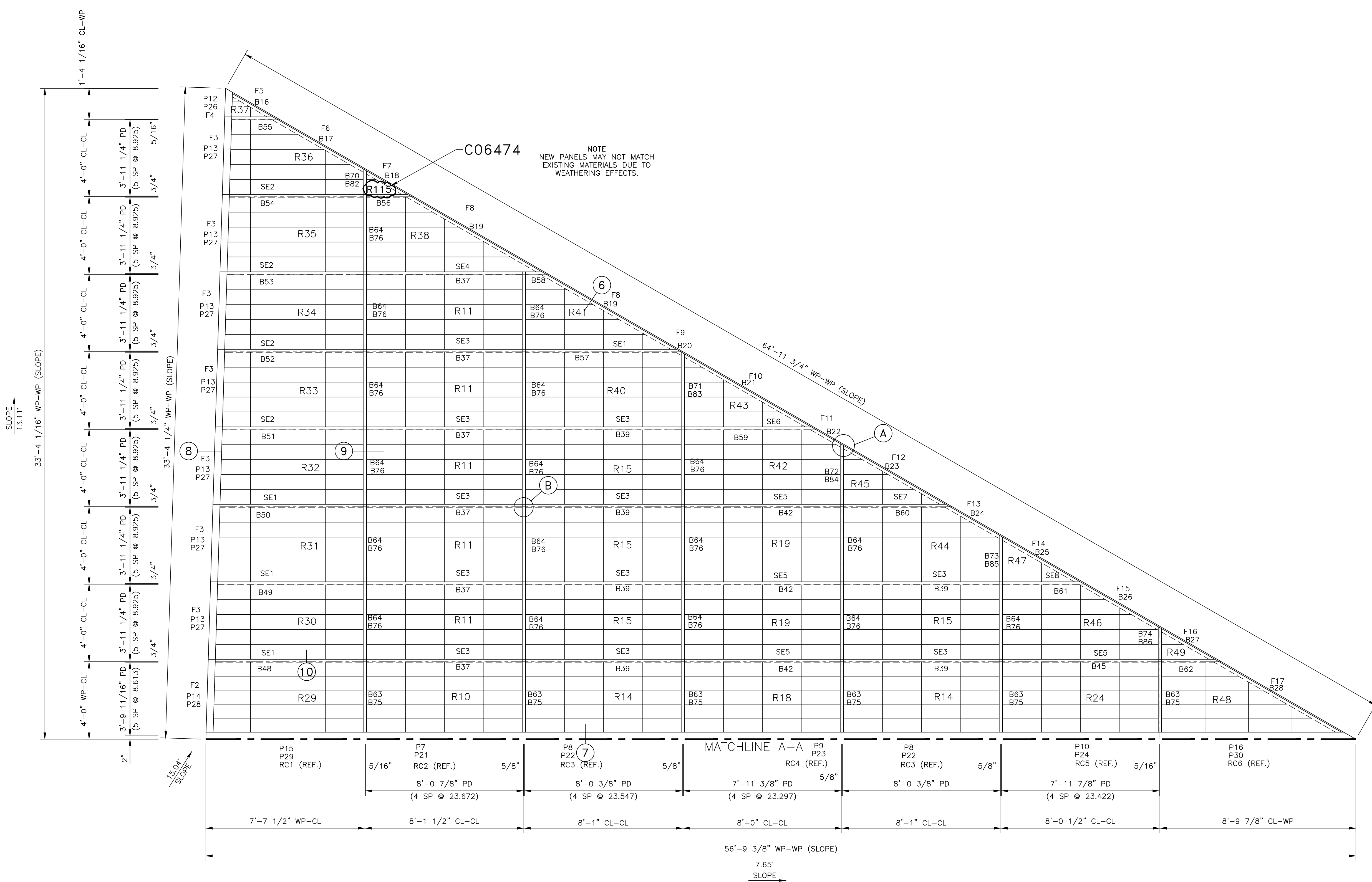
PARTIAL SKYROOF PLAN (1) REQ'D

NOTE: 10" X 24" SHOJI REQUIRED TO MEET STRUCTURAL REQUIREMENTS

RELEASE #1  
 EXT. FACE SHEET: .070 WHITE SW  
 INT. FACE SHEET: .045 WHITE S171  
 U-FACTOR: .26  
 LIGHT TRANS: 10%

REV.	DATE	DESCRIPTION	ARCHITECT APPROVAL	CUSTOMER APPROVAL
1	5/27/03	RELEASE #1	HEM	DRS
DRAWINGS ISSUED BY KALWALL® CORP. ILLUSTRATE THE COMPLETE SCOPE OF WORK TO BE PERFORMED BY KALWALL. IF SCOPE OF WORK DOES NOT INCLUDE INSTALLATION, JOINT SYSTEMS AND METHODS FOR JOINING KALWALL PANEL TO KALWALL PANEL AND KALWALL PANEL TO BUILDING ARE SUGGESTED SYSTEMS AND METHODS ONLY AND WHERE AS WE BELIEVE THEY ARE ENTIRELY SATISFACTORY, THEY ARE SUGGESTED ONLY AND NO WARRANTY IS EXPRESSED OR IMPLIED. APPROVAL OF THESE DRAWINGS ACKNOWLEDGES THESE FACTS AND AUTHORIZES MANUFACTURE OF ALL ITEMS AS SHOWN AND DIMENSIONED.		DATE:		
PROJECT: VENTURA COMM. COLLEGE LEARNING RESOURCE CTR		DATE:		
LOCATION: VENTURA, CALIFORNIA		ORDER NO. 025915	REL. NO.	
ARCHITECT: KRUEGER BENSON ZIEMER		DRAWN BY: DT	DATE: 10/18/02	
		CHECKED BY: PAD	DATE: 10/30/02	
		DRAWING NO. K02-1433		SHEET NO. B 2 OF

K02143362



**NOTE**  
NEW PANELS MAY NOT MATCH  
EXISTING MATERIALS DUE TO  
WEATHERING EFFECTS.

**PARTIAL SKYROOF PLAN (1) REQ'D**

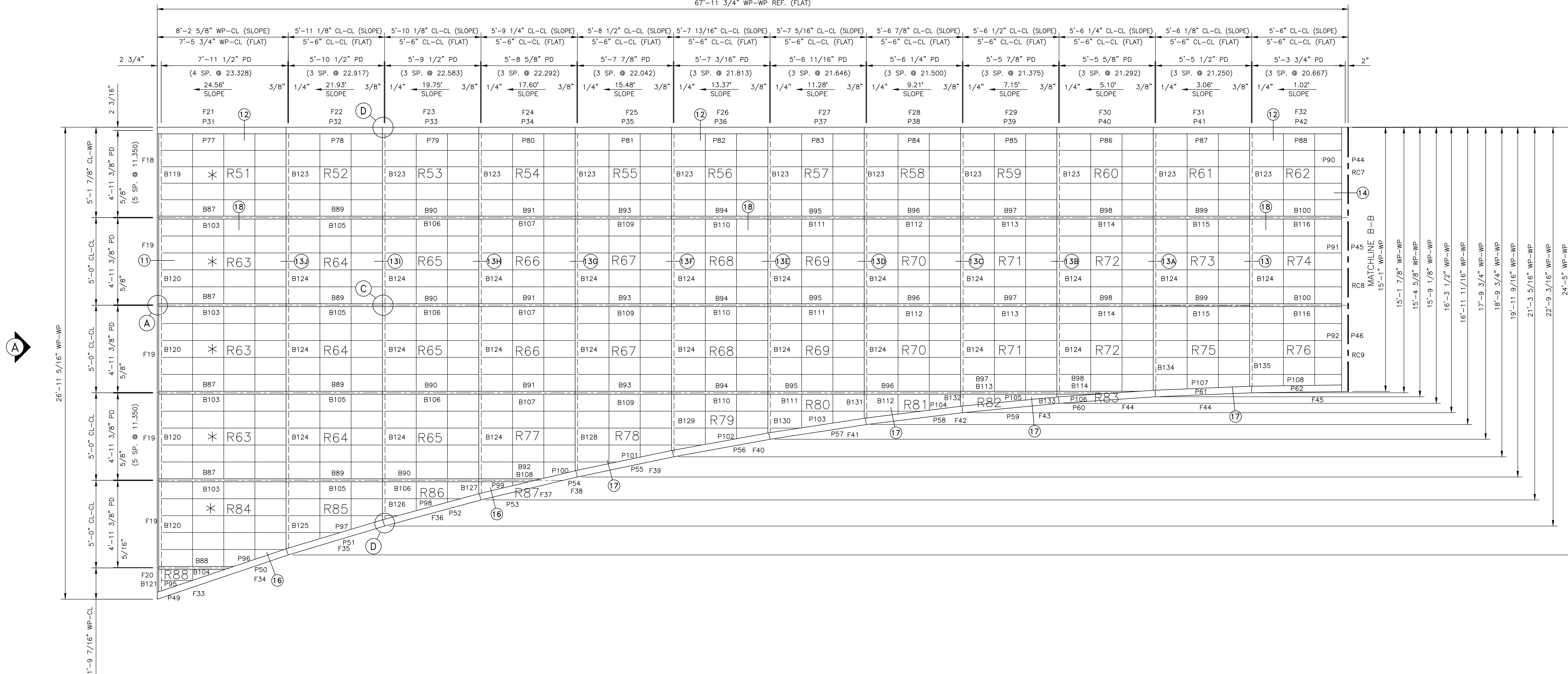
NOTE: 10" X 24" SHOJI REQUIRED TO MEET  
STRUCTURAL REQUIREMENTS

RELEASE #1  
EXT. FACE SHEET: .070 WHITE SW  
INT. FACE SHEET: .045 WHITE S171  
U-FACTOR: .26  
LIGHT TRANS: 10%

5	3/22/04	C06474: REPLACEMENT PANEL (R39 NOW R115), JAMBS (J2,J4)	JJS	CRS
1	5/27/03	RELEASE #1	HEM	DRS
REV.	DATE	DESCRIPTION	DRAWN BY	CHECKED BY
DRAWINGS ISSUED BY KALWALL® CORP. ILLUSTRATE THE COMPLETE SCOPE OF WORK TO BE PERFORMED BY KALWALL® CORP. IF SCOPE OF WORK DOES NOT INCLUDE INSTALLATION, JOINT SYSTEMS AND METHODS FOR JOINING KALWALL® PANEL TO KALWALL® PANEL AND KALWALL® PANEL TO BUILDING ARE SUGGESTED SYSTEMS AND METHODS ONLY AND WHERE AS WE BELIEVE THEY ARE ENTIRELY SATISFACTORY, THEY ARE SUGGESTED ONLY AND NO WARRANTY IS EXPRESSED OR IMPLIED. APPROVAL OF THESE DRAWINGS ACKNOWLEDGES THESE FACTS AND AUTHORIZES MANUFACTURE OF ALL ITEMS AS SHOWN AND DIMENSIONED.				
ARCHITECT APPROVAL			DATE:	
CUSTOMER APPROVAL			DATE:	
PROJECT:	VENTURA COMM. COLLEGE LEARNING RESOURCE CTR		ORDER NO. 025915	REL. NO.
LOCATION:	VENTURA, CALIFORNIA		DRAWN BY: DATE: DT 10/18/02	
ARCHITECT:	KRUEGER BENSON ZIEMER		CHECKED BY: DATE: PAD 10/30/02	PROJ.CRD. NG
KALWALL® CORPORATION MANCHESTER, N.H.			DRAWING NO. K02-1433	SHEET NO. B 3 OF

K021433b3

67'-11 3/4" WP-WP REF. (FLAT)



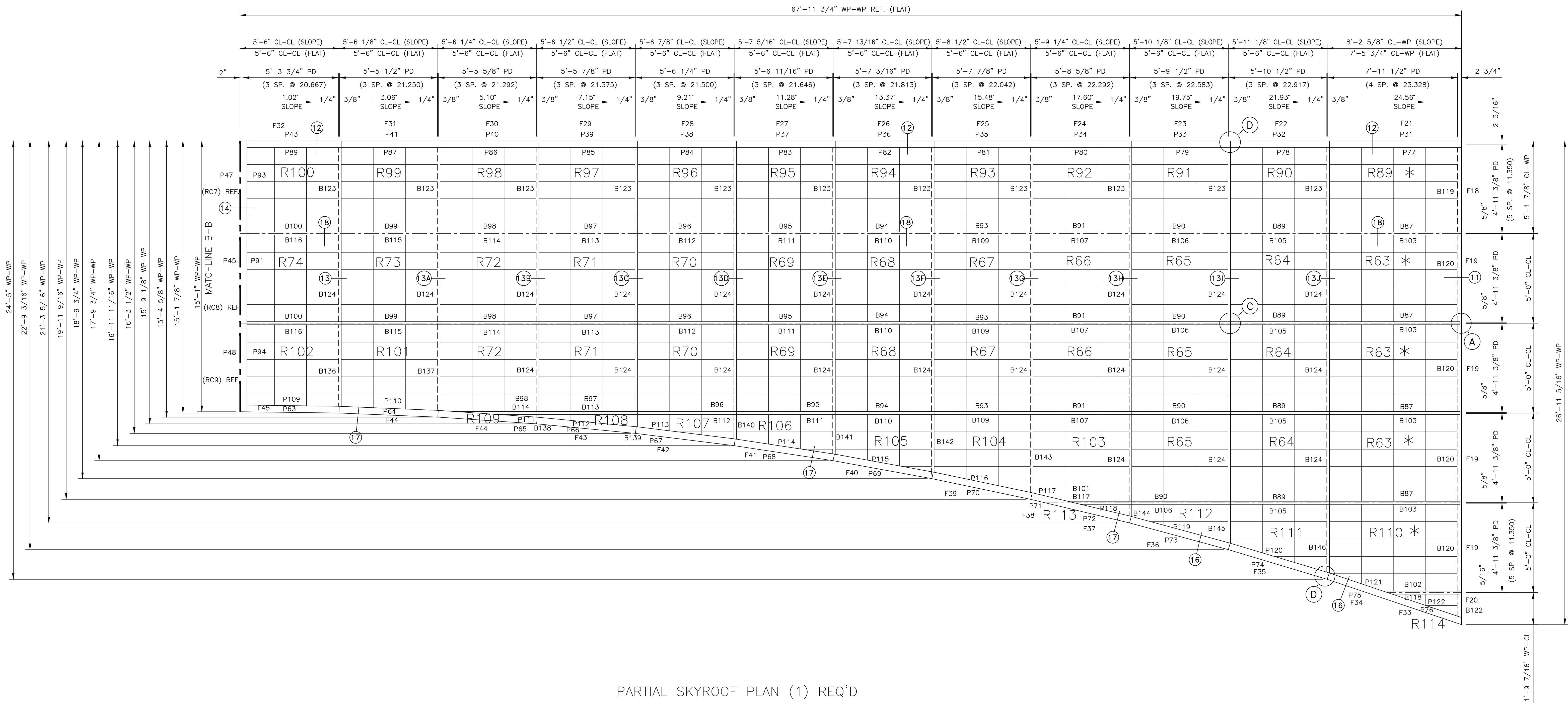
PARTIAL SKYROOF PLAN (1) REQ'D

\* -HEAVY I-BEAM

RELEASE #2

2	8/22/03	RELEASE #2	GLL	DRS
REV.	DATE	DESCRIPTION	DRAWN BY	CHECKED BY
		ARCHITECT APPROVAL		
		DATE:		
		CUSTOMER APPROVAL		
		DATE:		
PROJECT:	VENTURA COMM. COLLEGE LEARNING RESOURCE CTR		ORDER NO.	REL. NO.
LOCATION:	VENTURA, CALIFORNIA		DRAWN BY: DATE:	
ARCHITECT:	KRUEGER BENSON ZIEMER		CHECKED BY: DATE:	PROJ. CRD.
		DRAWING NO.		SHEET NO.
		KALWALL® CORPORATION		B 4
		MANCHESTER, N.H.		OF
		K02-1433		

K021433b4



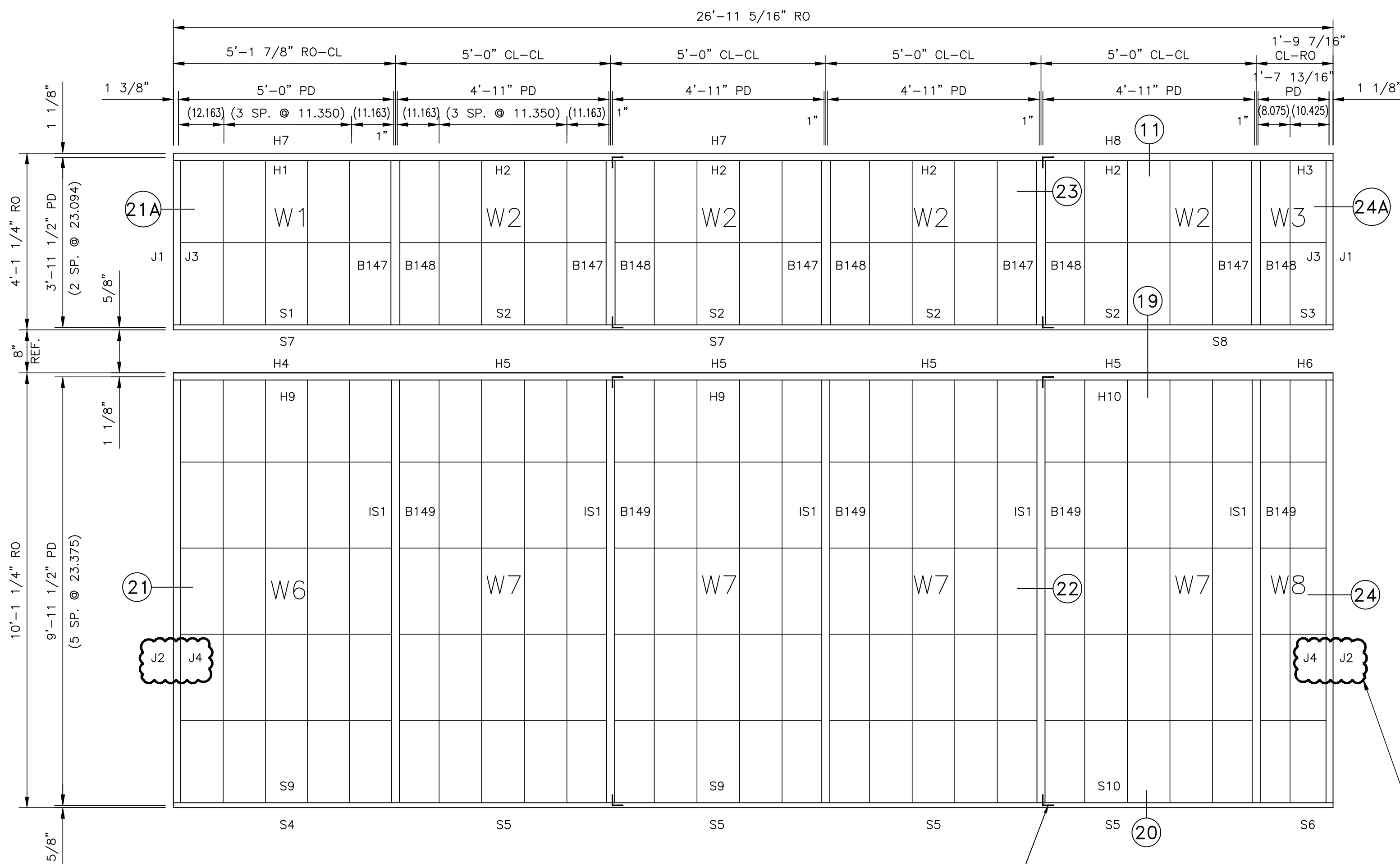
PARTIAL SKYROOF PLAN (1) REQ'D

\* -HEAVY I-BEAM

RELEASE #2

2	8/22/03	RELEASE #2	GLL	DRS
REV.	DATE	DESCRIPTION	DRAWN BY	CHECKED BY
		ARCHITECT APPROVAL		
		DATE:		
		CUSTOMER APPROVAL		
		DATE:		
PROJECT:	VENTURA COMM. COLLEGE LEARNING RESOURCE CTR		ORDER NO.	REL. NO.
LOCATION:	VENTURA, CALIFORNIA		025915	
ARCHITECT:	KRUEGER BENSON ZIEMER		DRAWN BY: DATE:	DT 10/21/02
			CHECKED BY: DATE:	PAD 10/30/02
KALWALL® CORPORATION		DRAWING NO.	SHEET NO.	
MANCHESTER, N.H.		K02-1433	B 5	
			OF	

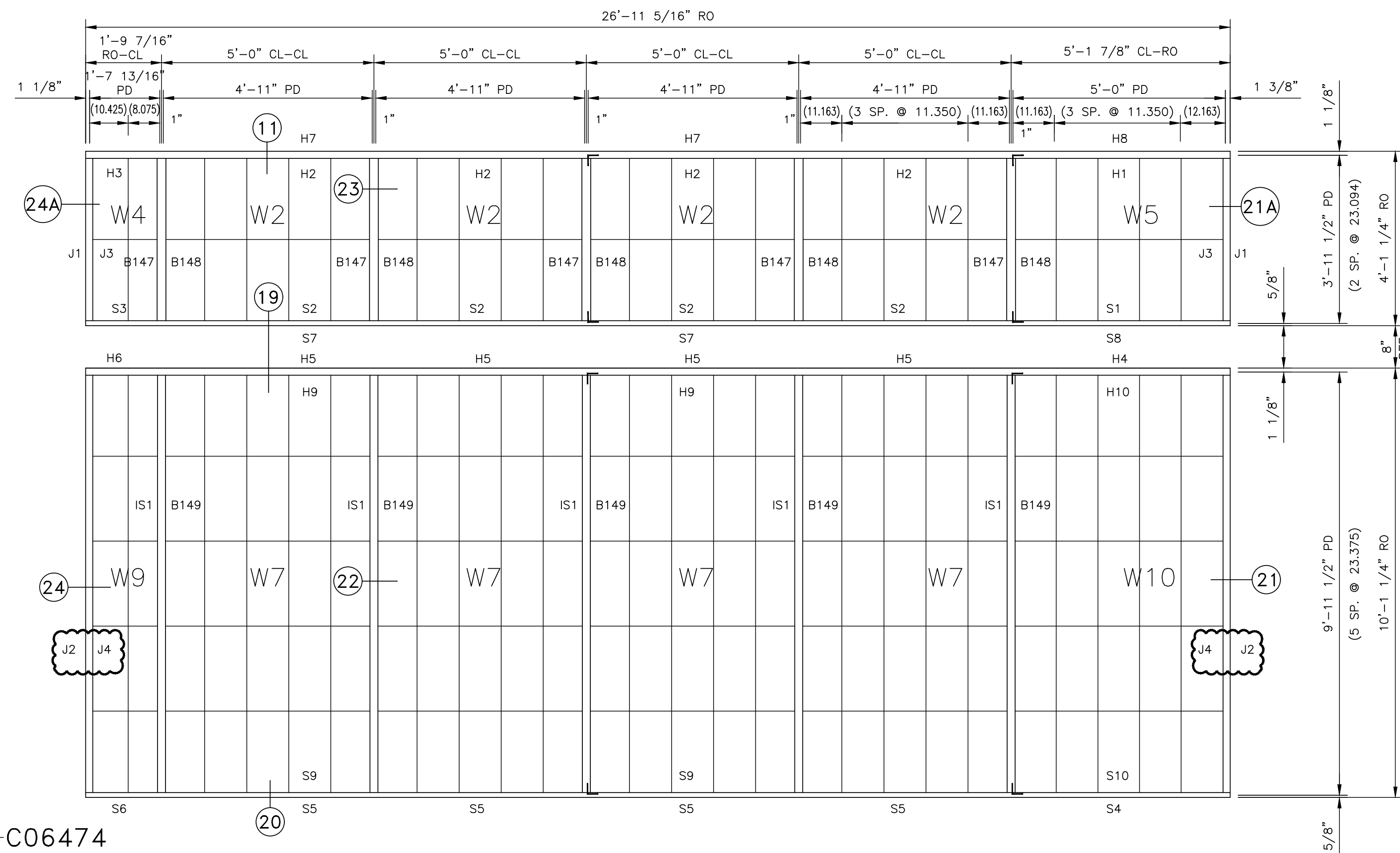
K021433b5



WALL ELEVATION (1) REQ'D

(A)

RELEASE #2



WALL ELEVATION (1) REQ'D

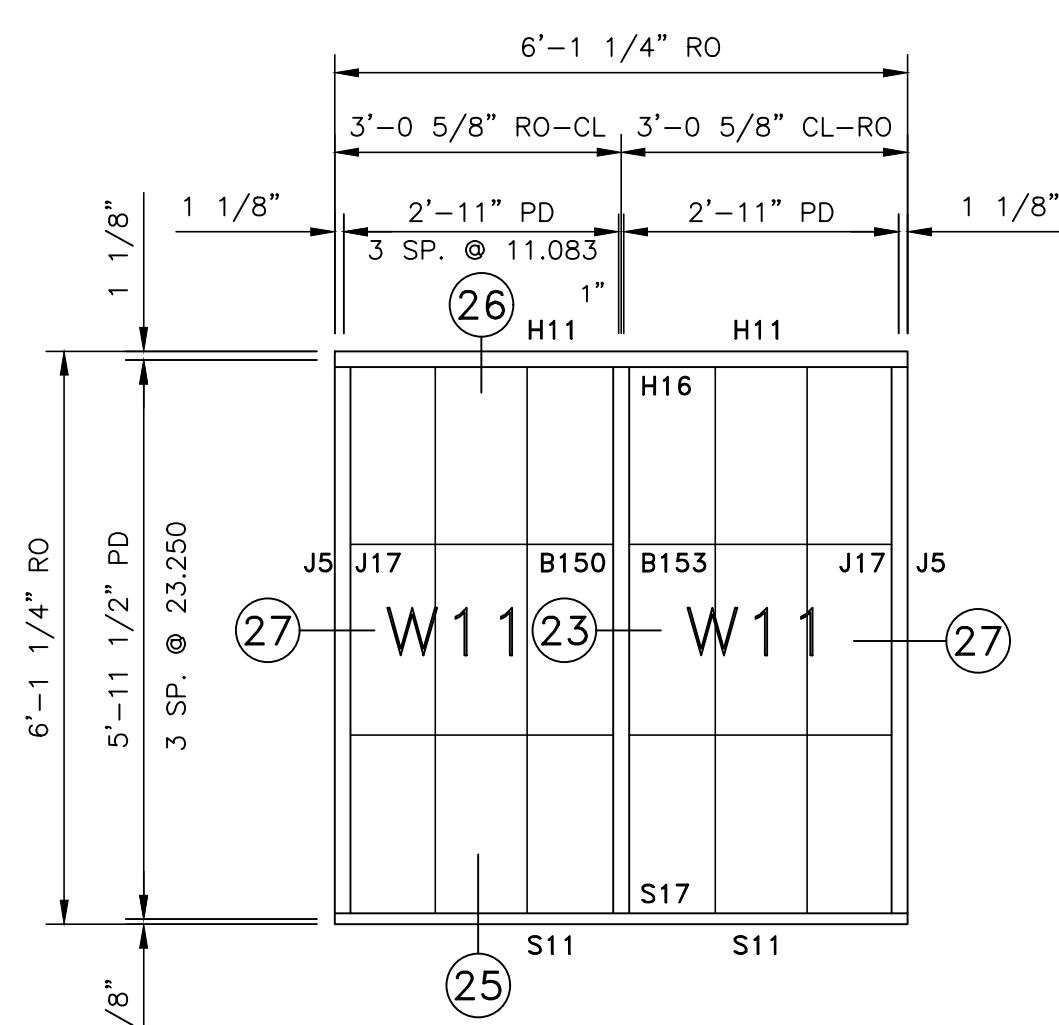
(B)

RELEASE #2

NOTE: GRIDS ON WALL ELEVATIONS "A" & "B" ALIGN WITH SHED ROOF ABOVE

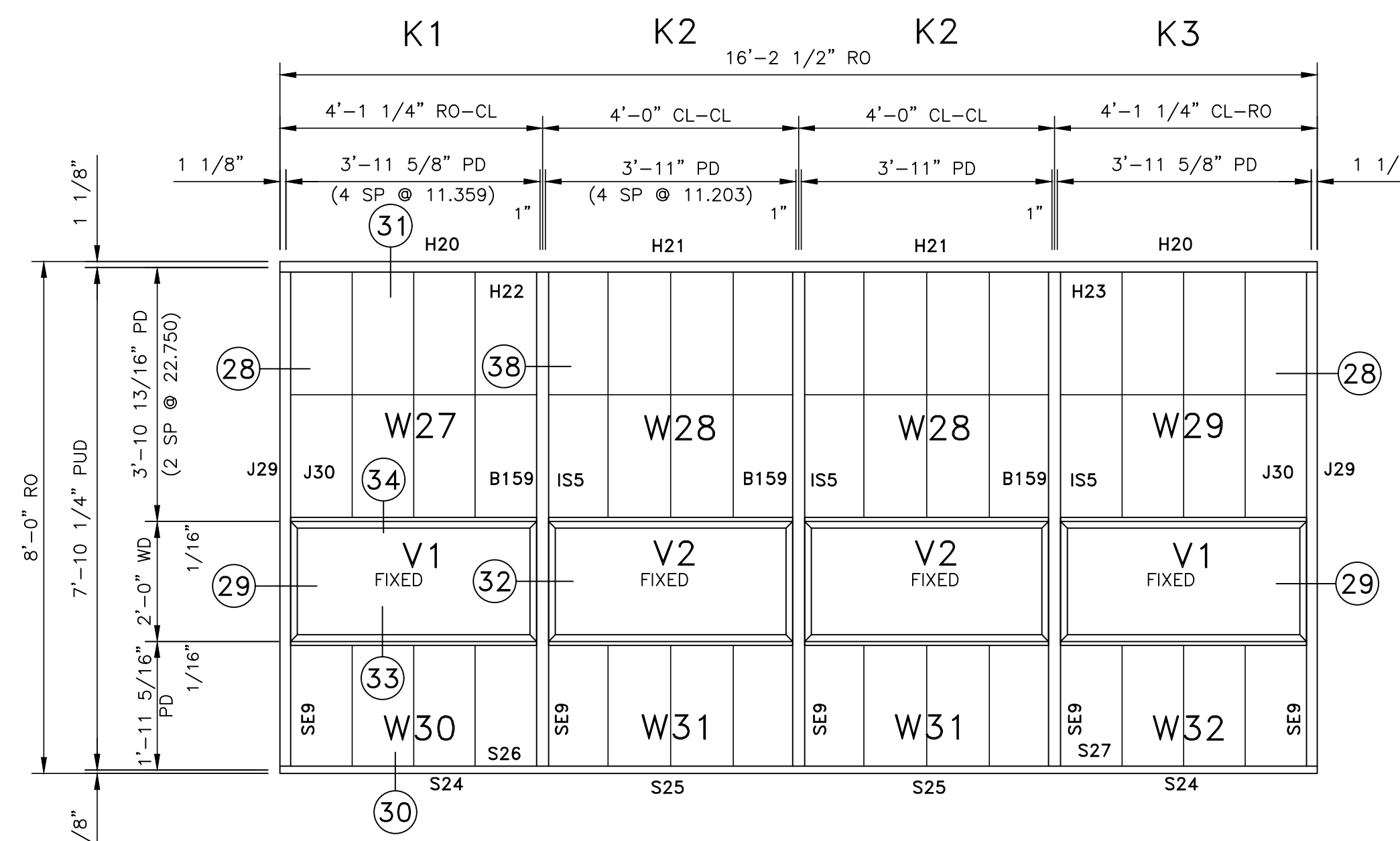
2 3/4\"/>

C06474



WALL ELEVATION (2) REQ'D

RELEASE #3



WALL ELEVATION (3) REQ'D

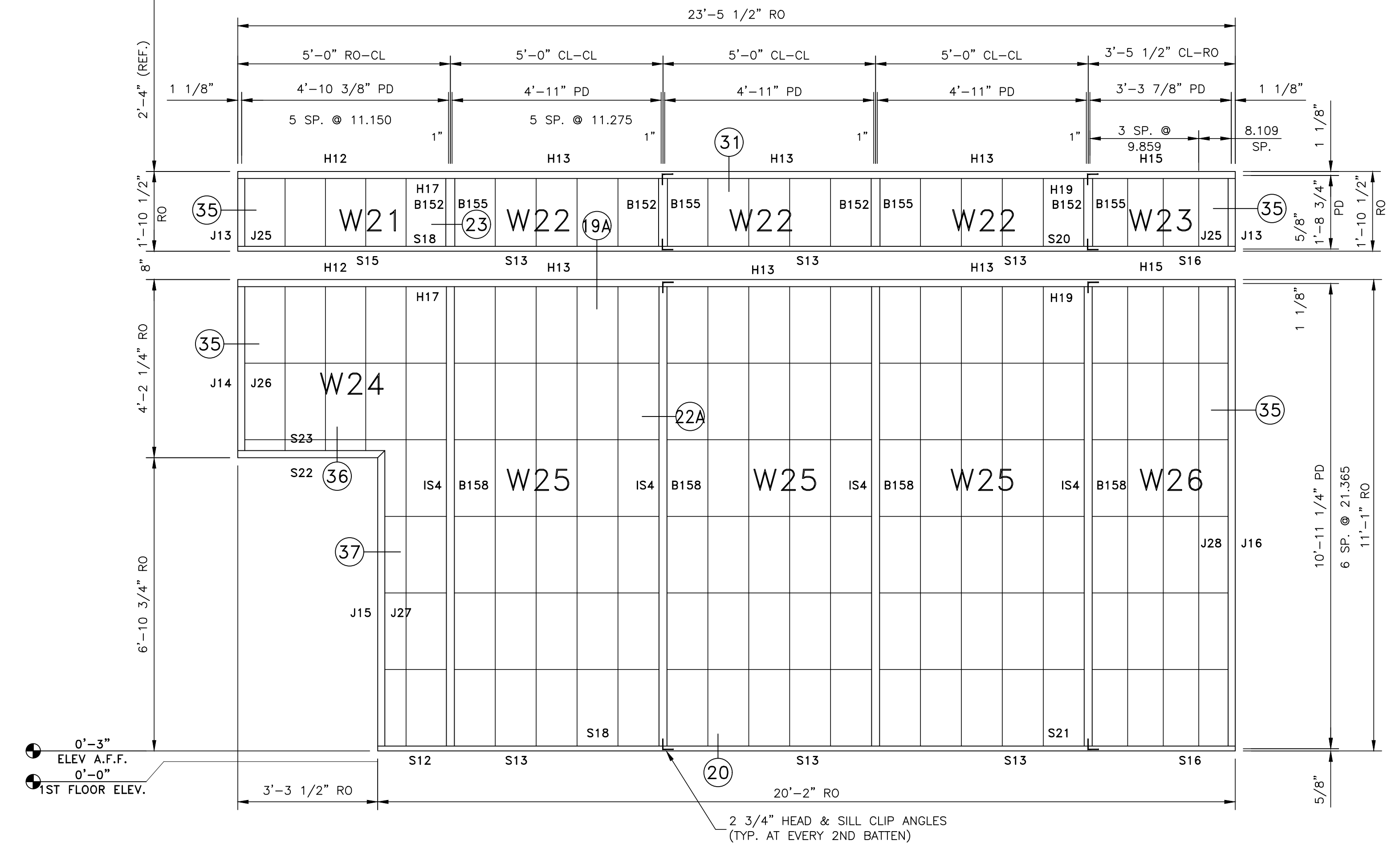
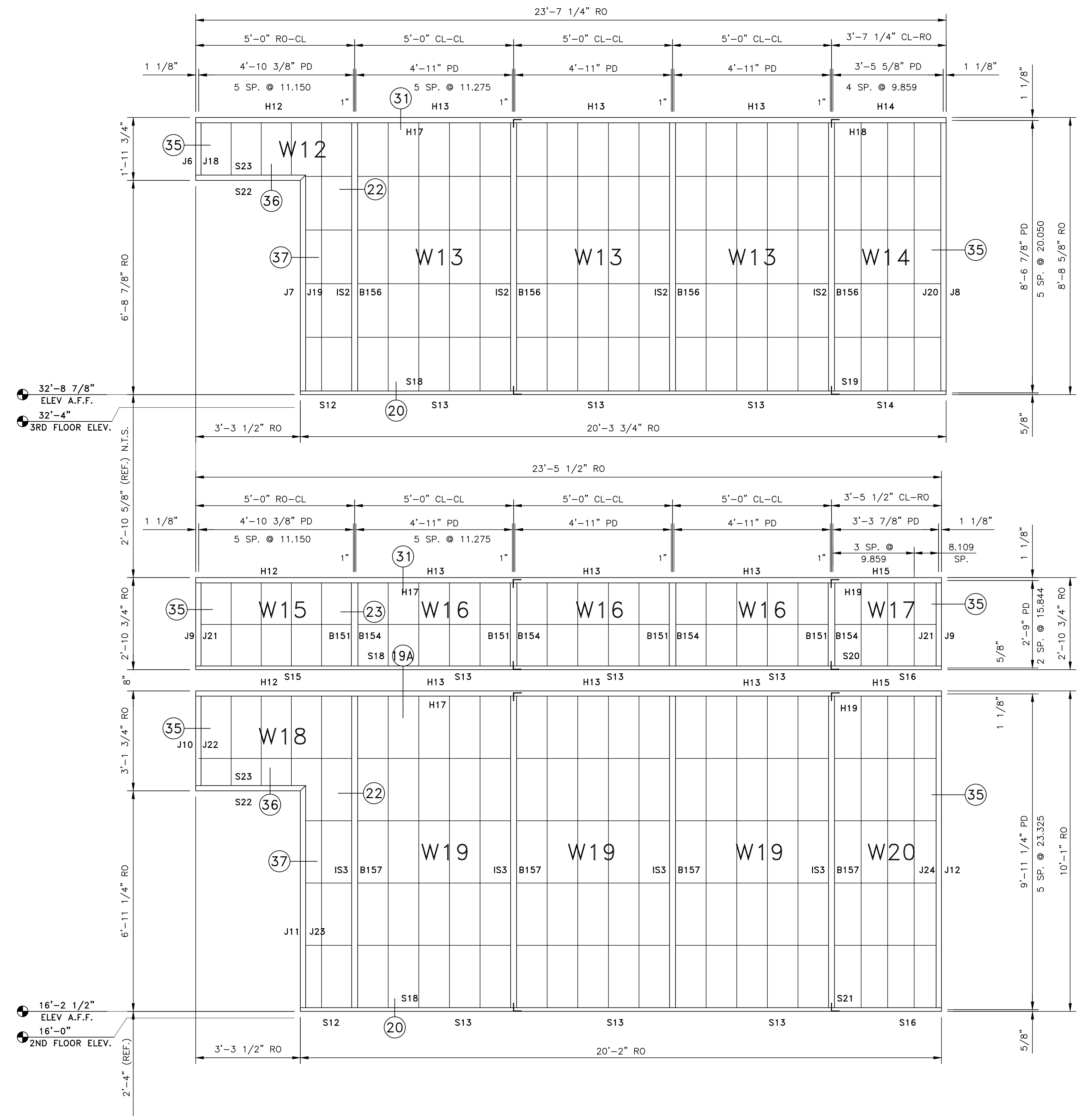
RELEASE #4

REV.	DATE	DESCRIPTION	DRAWN BY	CHECKED BY
5	3/22/04	C06474: REPLACEMENT PANEL (R39 NOW R115), JAMBS (J2,J4)	JJS	CRS
4	1/9/04	RELEASE #4	MES	GAW
3	10/8/03	RELEASE #3	PJC	NCD
2	8/22/03	RELEASE #2	GLL	DRS

ARCHITECT APPROVAL	
DATE:	
CUSTOMER APPROVAL	
DATE:	
ORDER NO. 025915	REL. NO.
DRAWN BY: DATE: DT 10/21/02	
CHECKED BY: DATE: PAD 10/30/02	PROJ.CRD. NG
<b>KALWALL CORPORATION</b> MANCHESTER, N.H.	
DRAWING NO. K02-1433	SHEET NO. B 6 OF

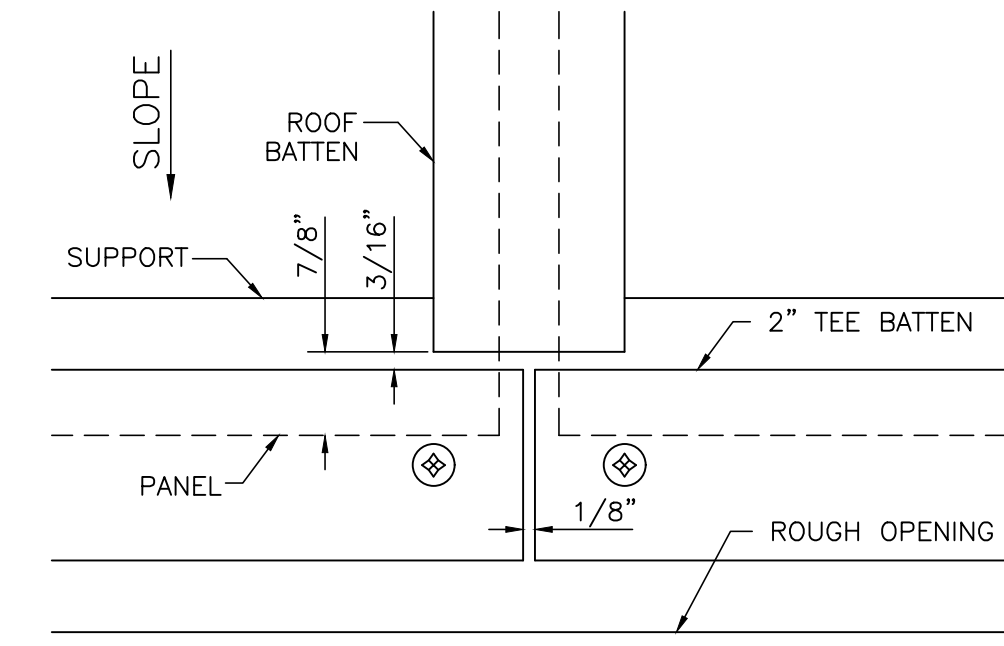
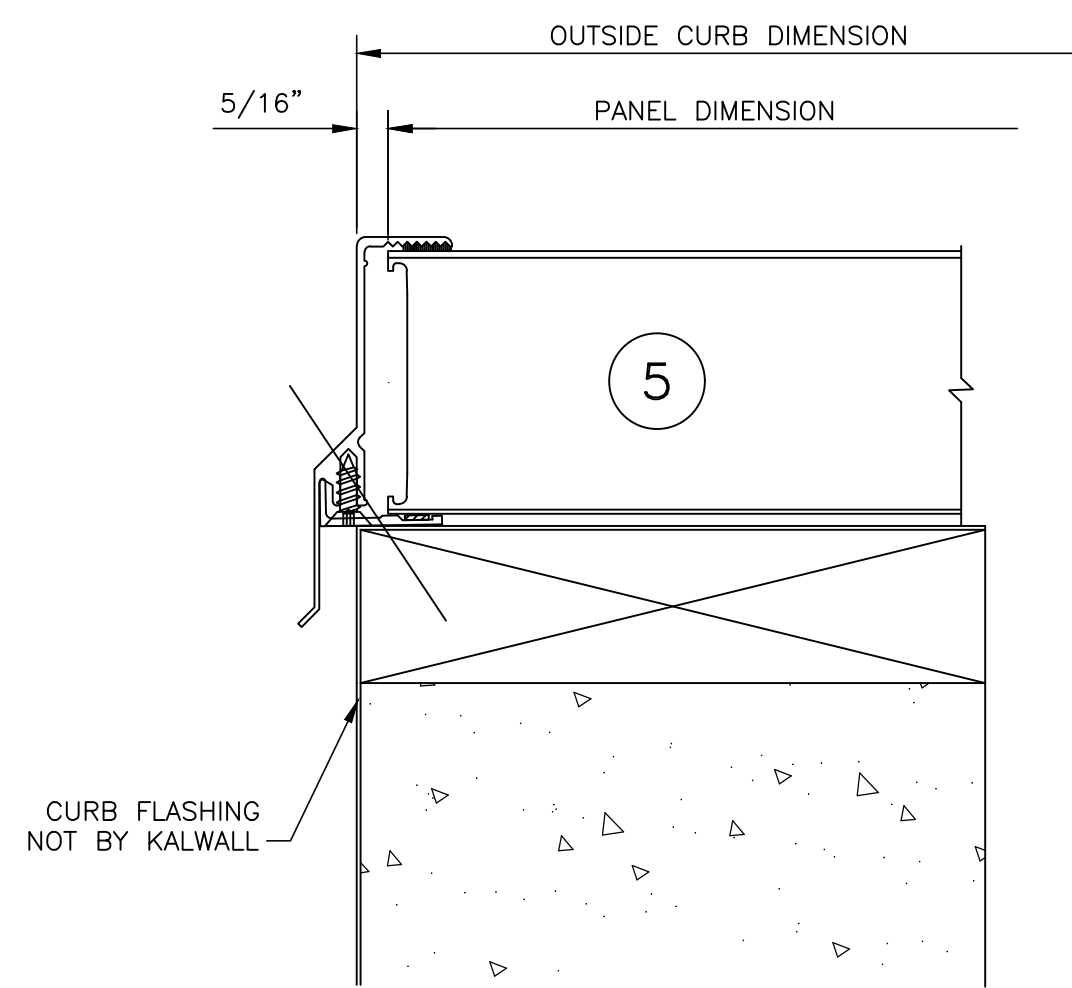
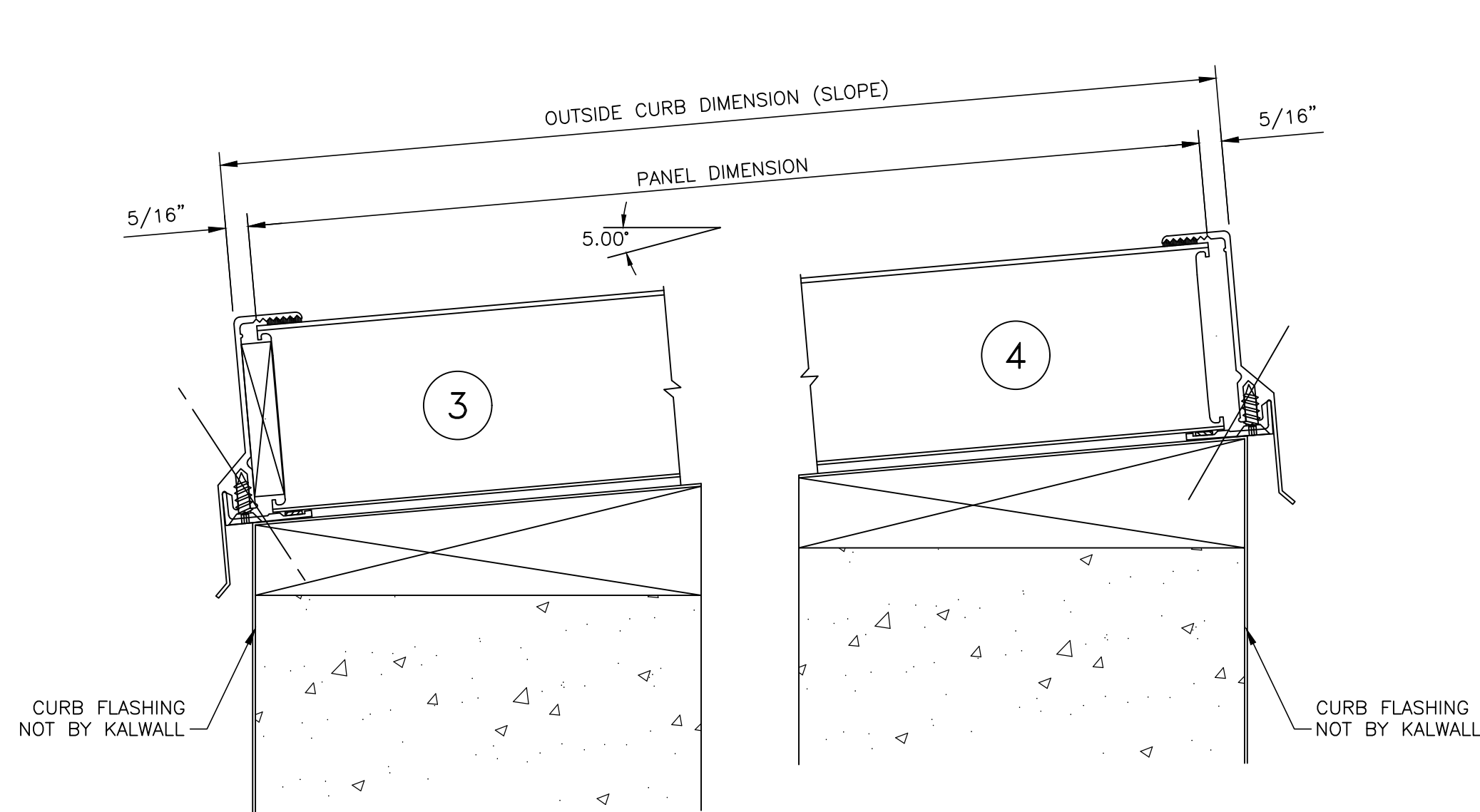
K021433b6



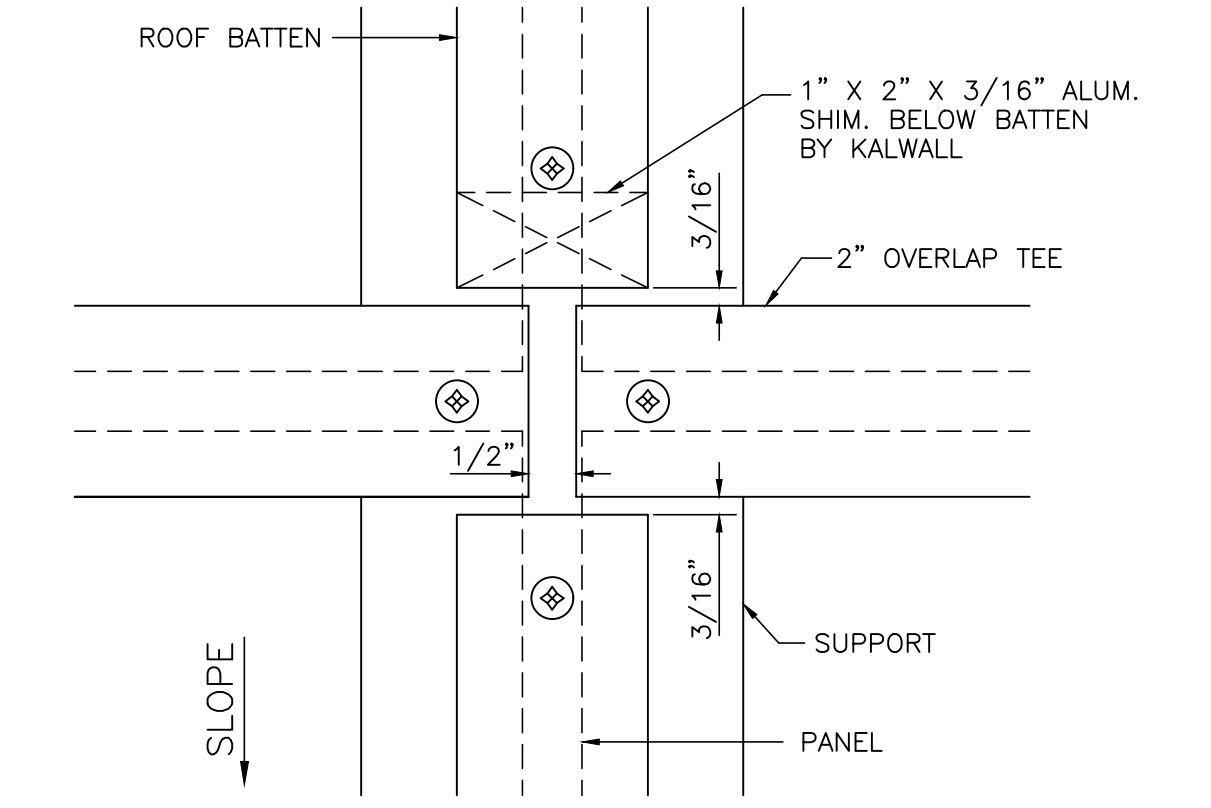
WALL ELEVATION (1) REQ'D  
RELEASE #3

3	10/8/03	RELEASE #3	PJC	NCD
REV.	DATE	DESCRIPTION	DRAWN BY	CHECKED BY
		ARCHITECT APPROVAL		
		DATE:		
		CUSTOMER APPROVAL		
		DATE:		
PROJECT:	VENTURA COMM. COLLEGE LEARNING RESOURCE CTR	ORDER NO.	REL. NO.	
LOCATION:	VENTURA, CALIFORNIA	025915		
ARCHITECT:	KRUEGER BENSON ZIEMER	DRAWN BY: DATE:		
		DT 10/21/02		
		CHECKED BY: DATE:		
		PAD 10/30/02		PROJ.CRD.
				NG
KALWALL® CORPORATION		DRAWING NO.	SHEET NO.	
MANCHESTER, N.H.		K02-1433	B 7	
			OF	

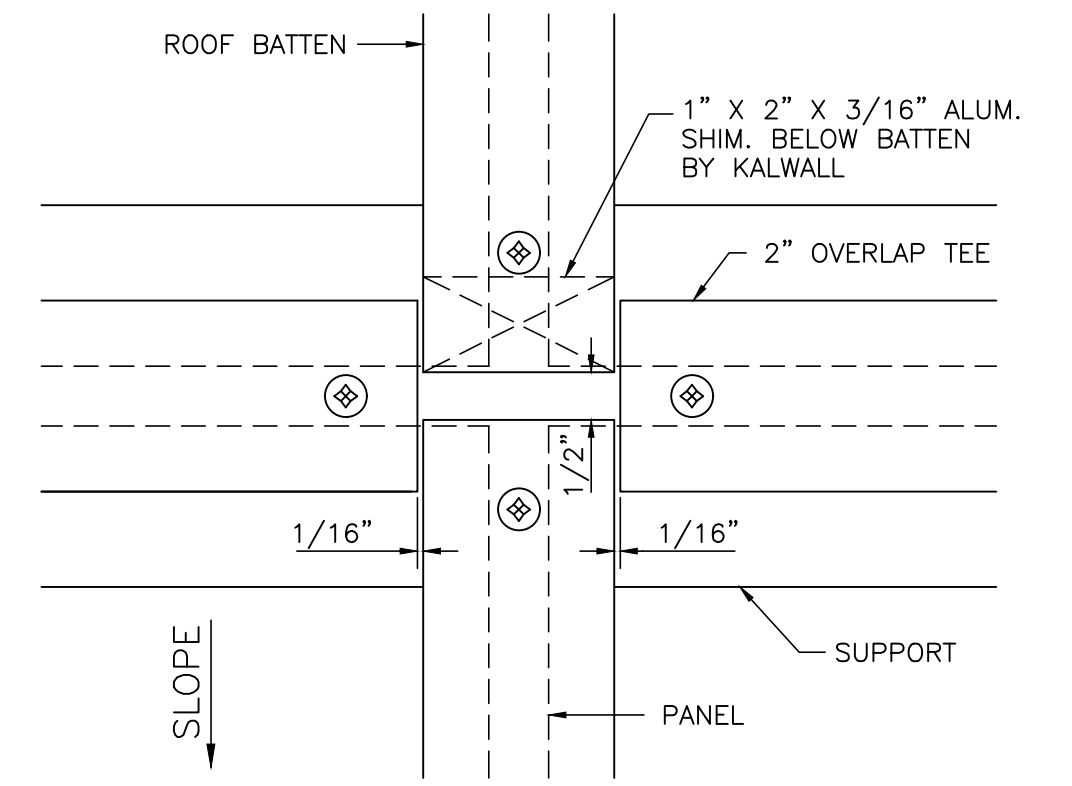
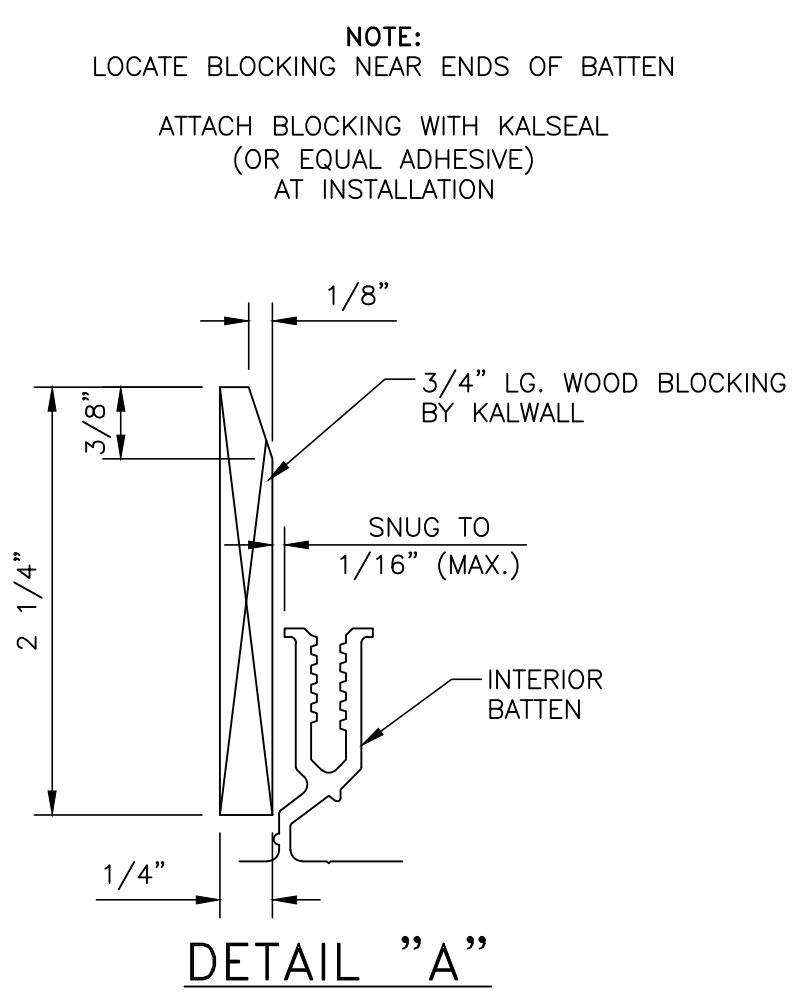
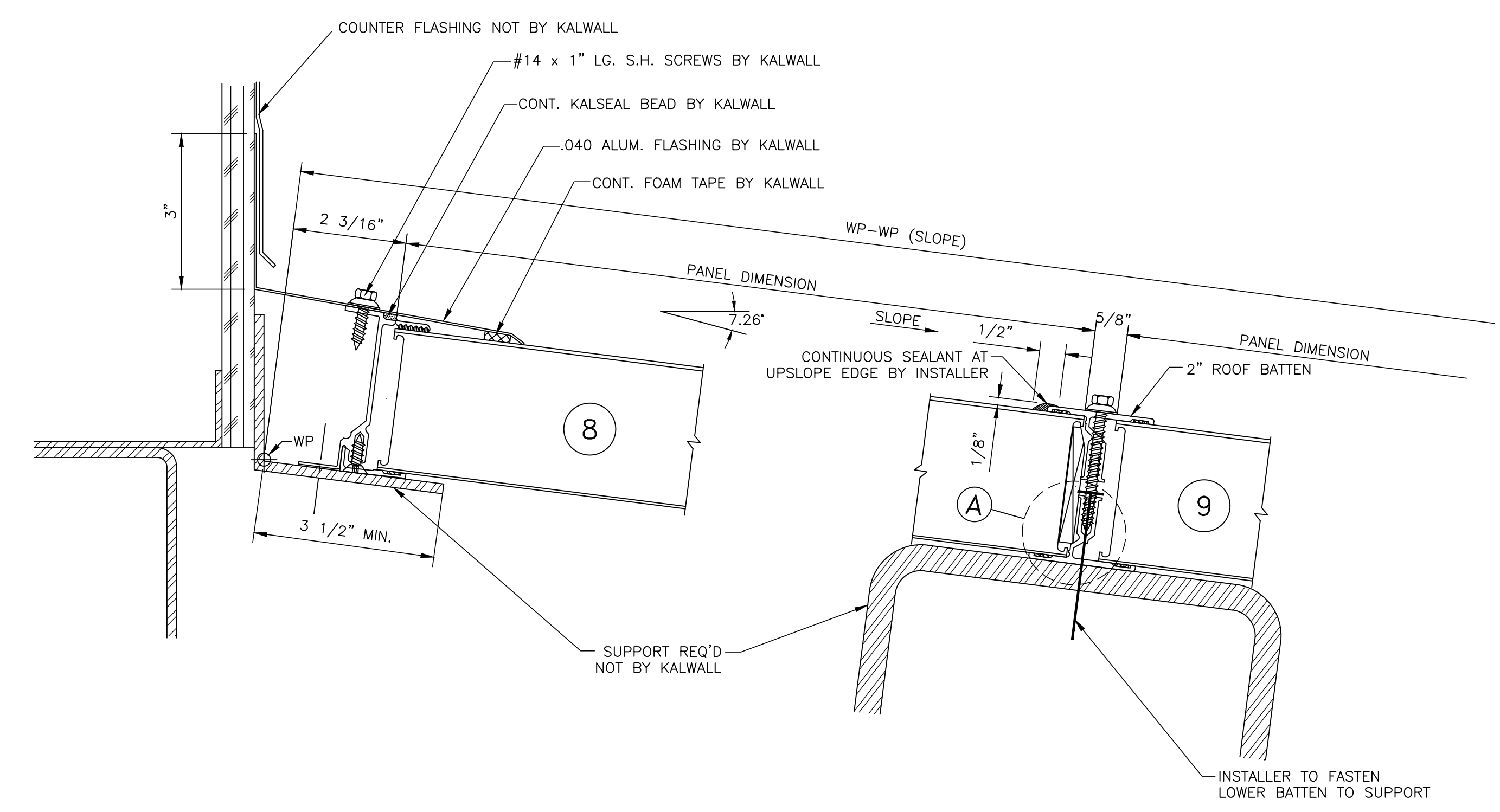
K021433b7



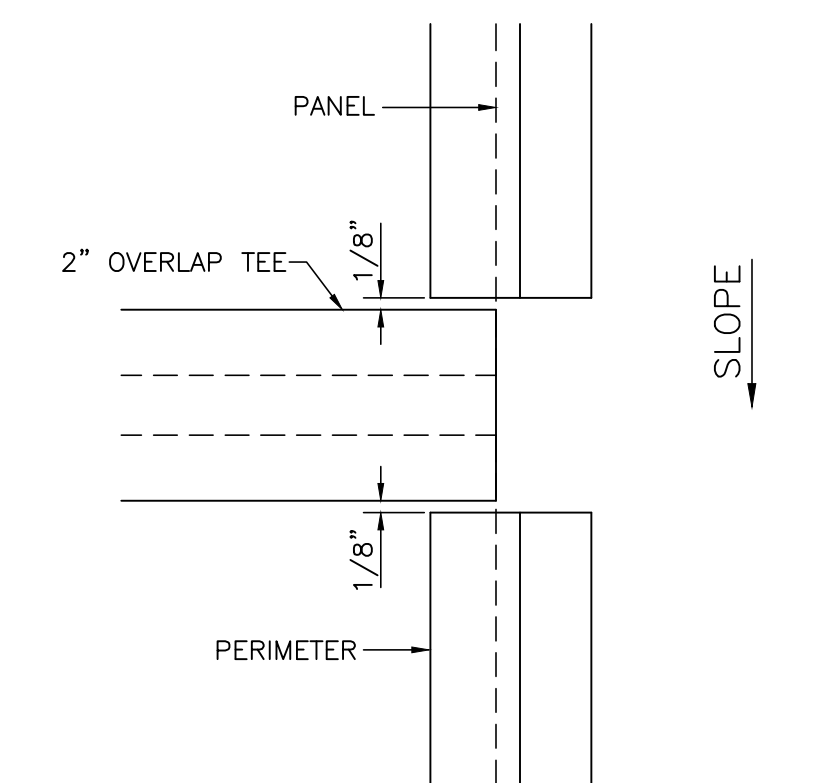
(A) INTERIOR BATTEN LAYOUT



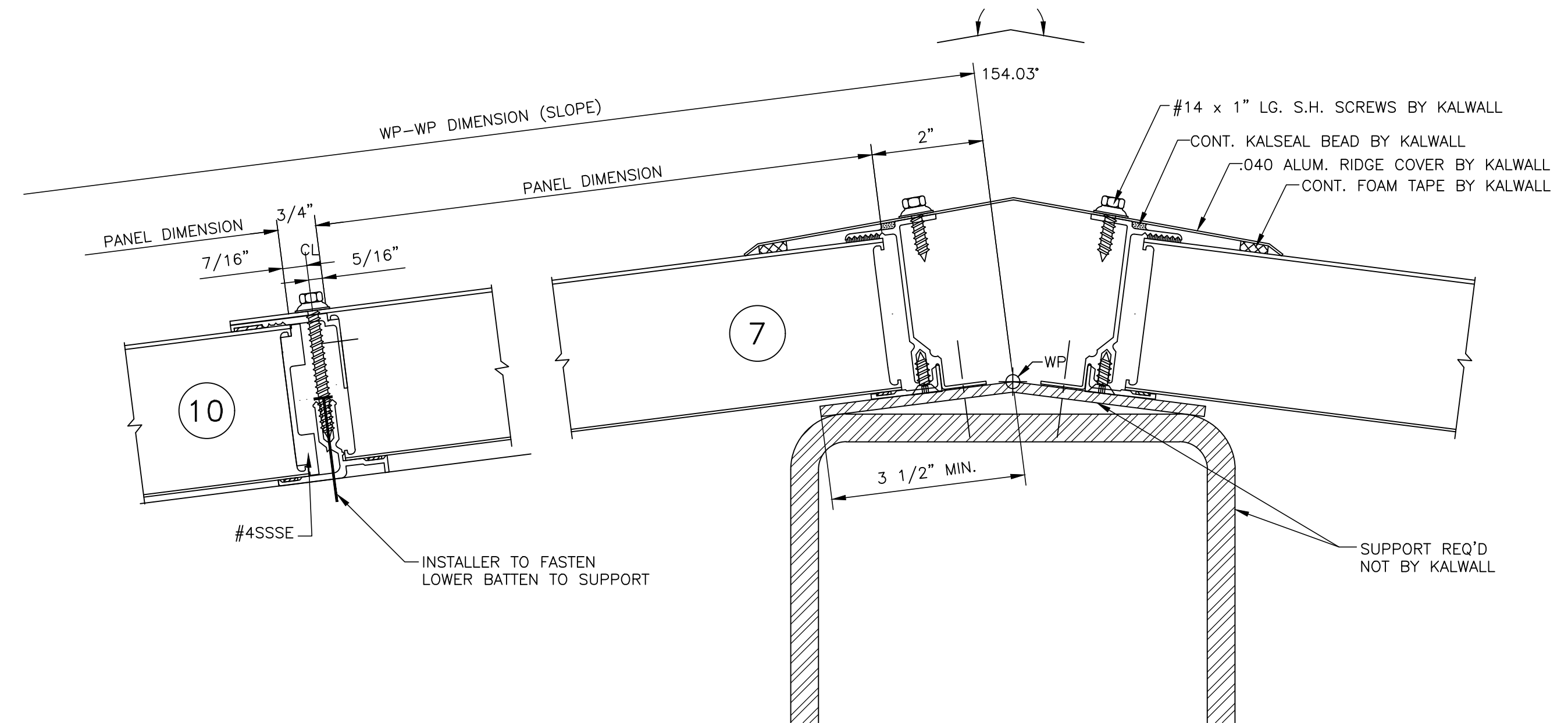
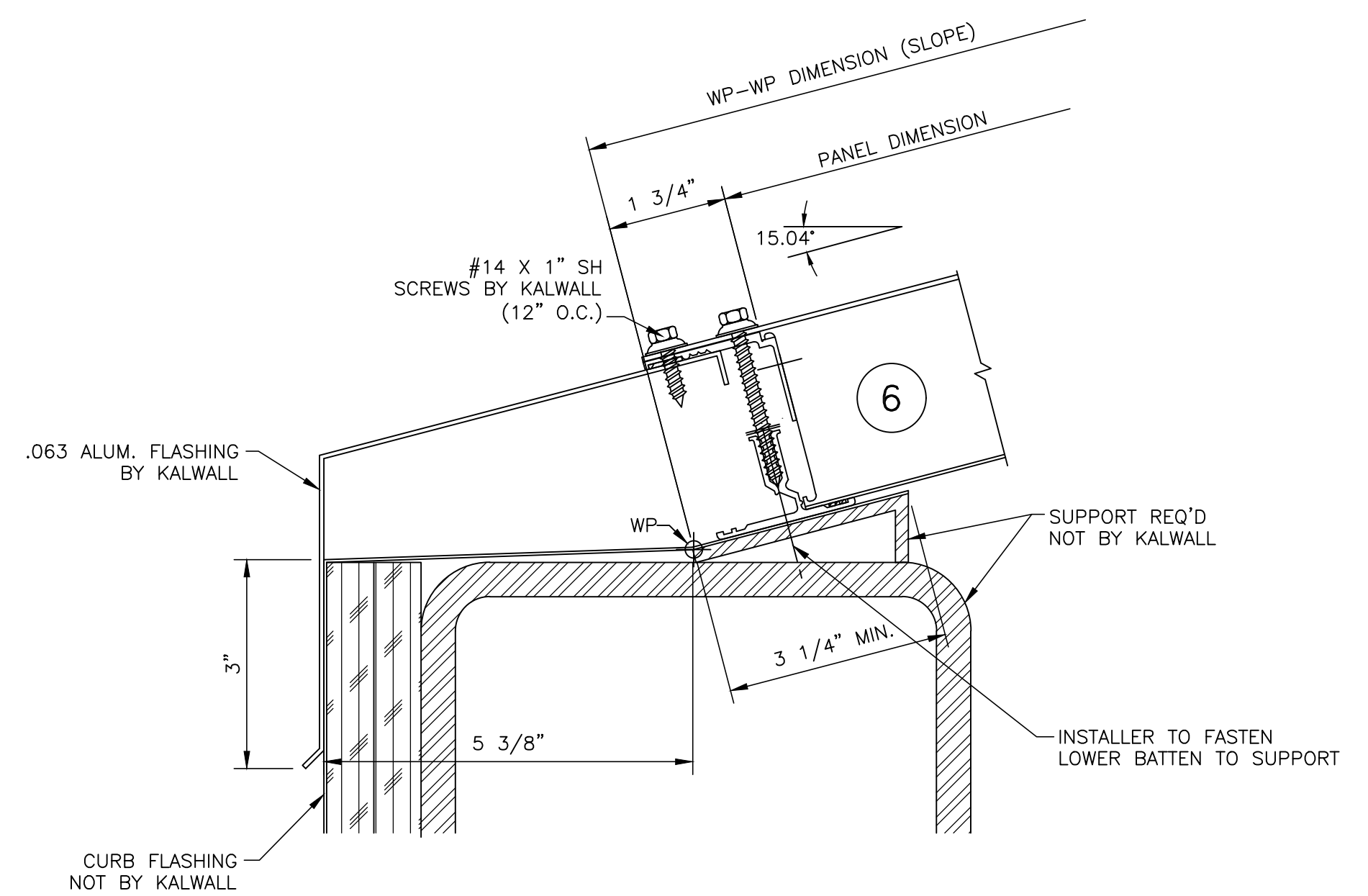
(B) INTERIOR BATTEN LAYOUT



(C) INTERIOR BATTEN LAYOUT



(D) INTERIOR BATTEN LAYOUT



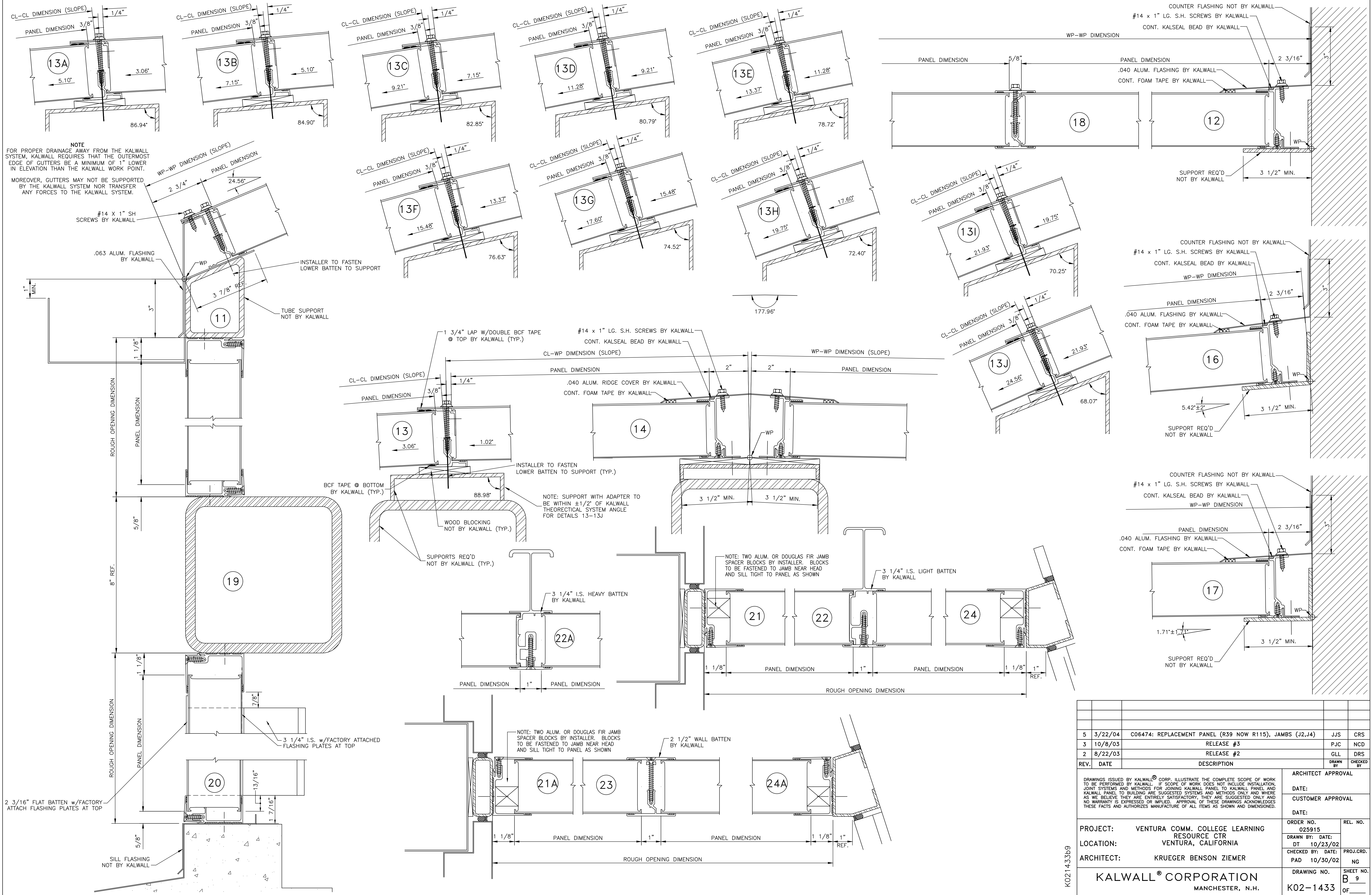
REV.	DATE	DESCRIPTION	DRAWN BY	CHECKED BY
5	3/22/04	C06474: REPLACEMENT PANEL (R39 NOW R115), JAMBS (J2,J4)	JJS	CRS
2	8/22/03	RELEASE #2	GLL	DRS
1	5/27/03	RELEASE #1	HEM	DRS

DRAWINGS ISSUED BY KALWALL® CORP. ILLUSTRATE THE COMPLETE SCOPE OF WORK TO BE PERFORMED BY KALWALL. IF SCOPE OF WORK DOES NOT INCLUDE INSTALLATION, JOINT SYSTEMS AND METHODS FOR JOINING KALWALL PANEL TO KALWALL PANEL AND KALWALL PANEL TO BUILDING ARE SUGGESTED SYSTEMS AND METHODS ONLY AND WHERE AS WE BELIEVE THEY ARE ENTIRELY SATISFACTORY, THEY ARE SUGGESTED ONLY AND NO WARRANTY IS EXPRESSED OR IMPLIED. APPROVAL OF THESE DRAWINGS ACKNOWLEDGES THESE FACTS AND AUTHORIZES MANUFACTURE OF ALL ITEMS AS SHOWN AND DIMENSIONED.		ARCHITECT APPROVAL	
DATE:		DATE:	
CUSTOMER APPROVAL		CUSTOMER APPROVAL	
DATE:		DATE:	
PROJECT:	VENTURA COMM. COLLEGE LEARNING RESOURCE CTR	ORDER NO.:	REL. NO.:
LOCATION:	VENTURA, CALIFORNIA	DRAWN BY: DATE:	
ARCHITECT:	KRUEGER BENSON ZIEMER	CHECKED BY: DATE:	PROJ. CRD.:
		PAD	NG
KALWALL® CORPORATION MANCHESTER, N.H.		DRAWING NO.:	SHEET NO.:
		K02-1433	B 8 OF

K021433b8





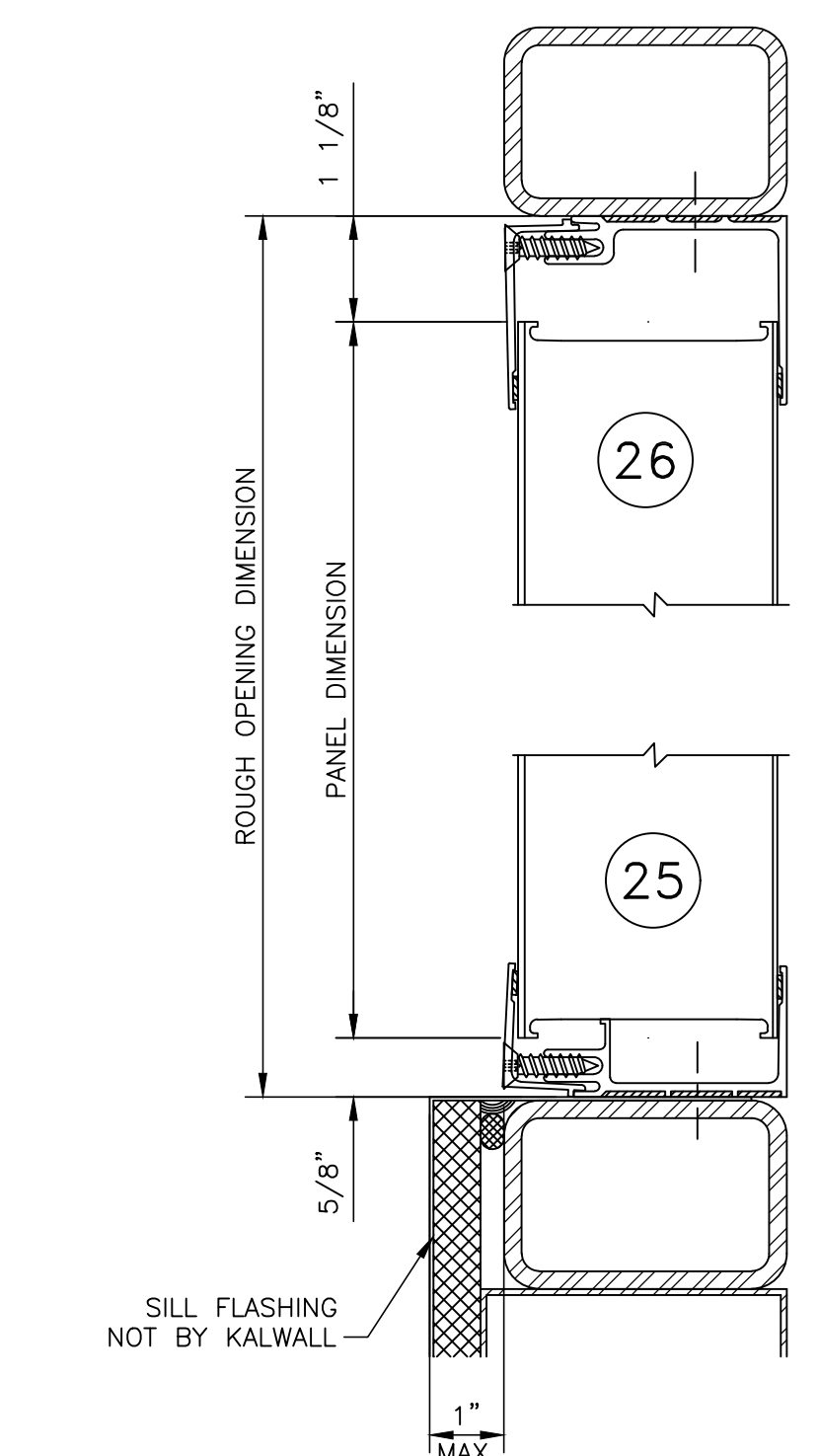
REV.	DATE	DESCRIPTION	DRAWN BY	CHECKED BY
5	3/22/04	C06474: REPLACEMENT PANEL (R39 NOW R115), JAMBS (J2,J4)	JJS	CRS
3	10/8/03	RELEASE #3	PJC	NCD
2	8/22/03	RELEASE #2	GLL	DRS

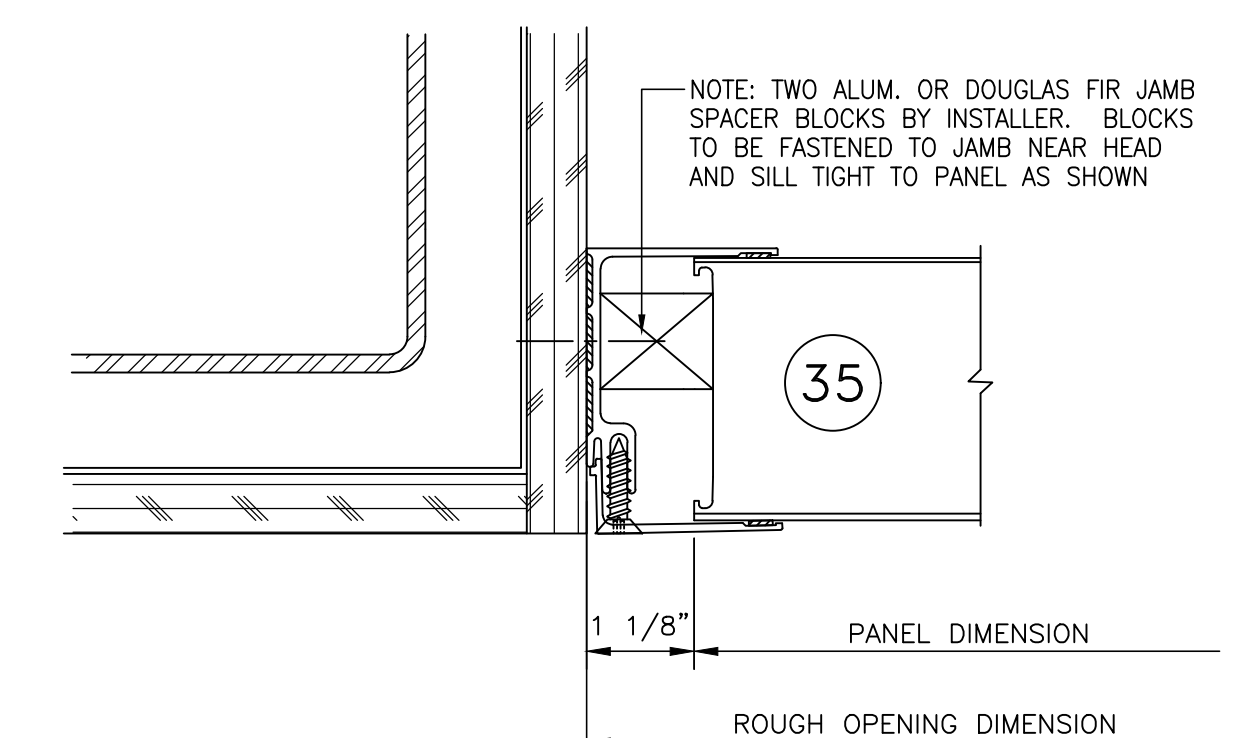
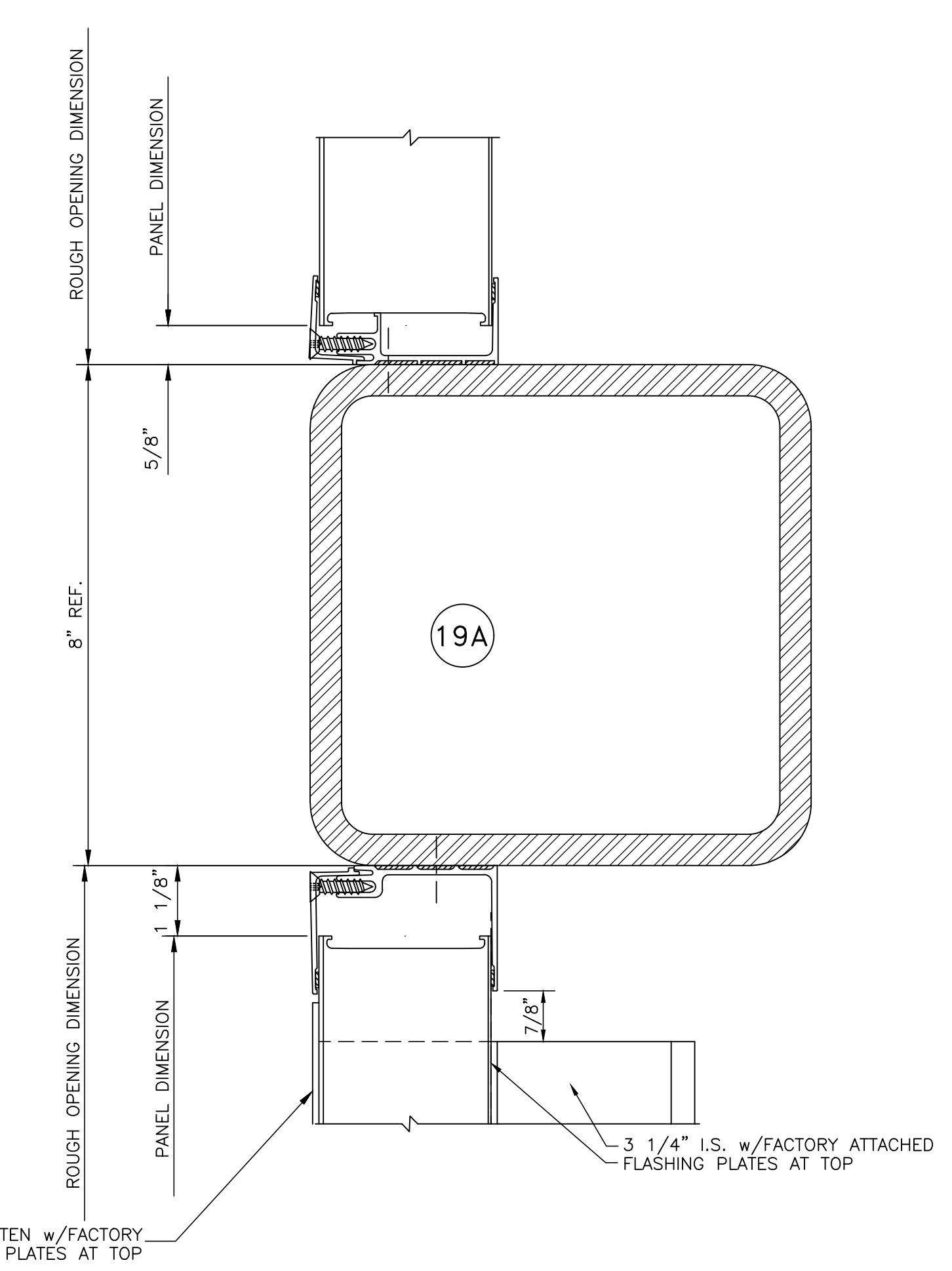
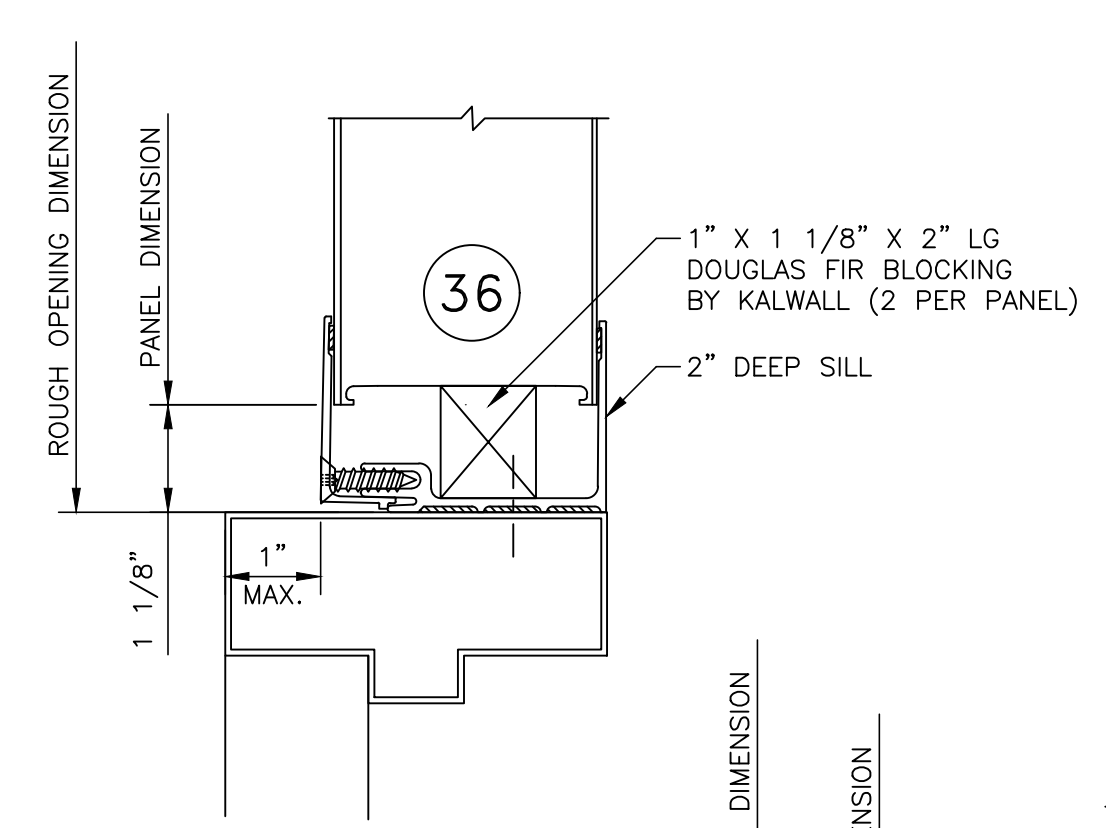
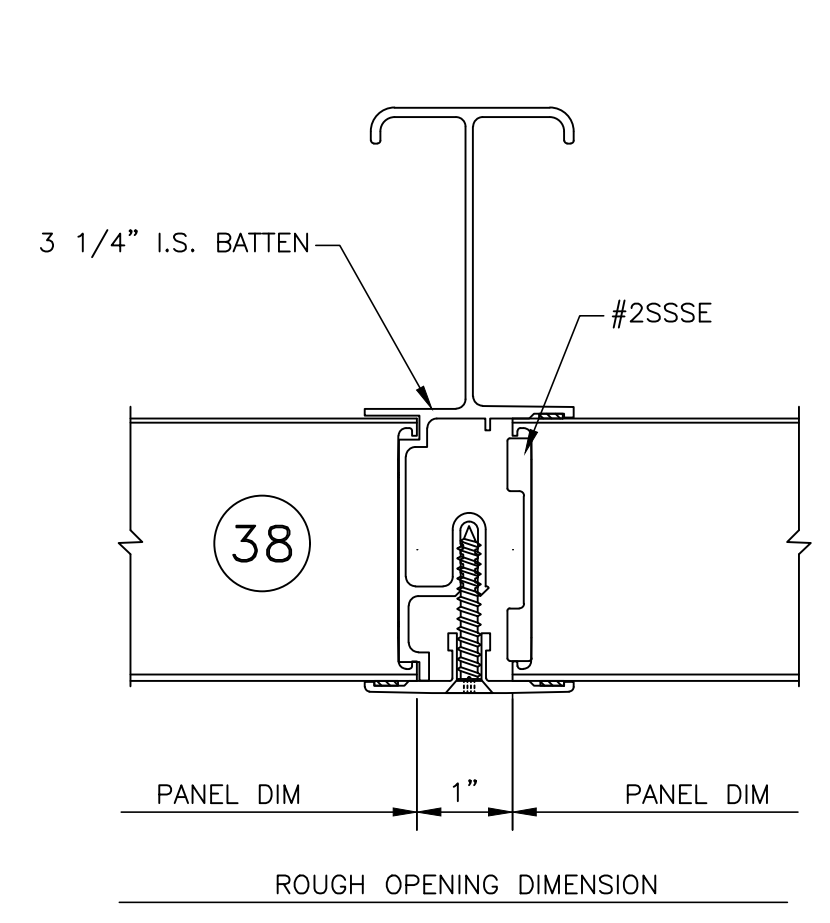
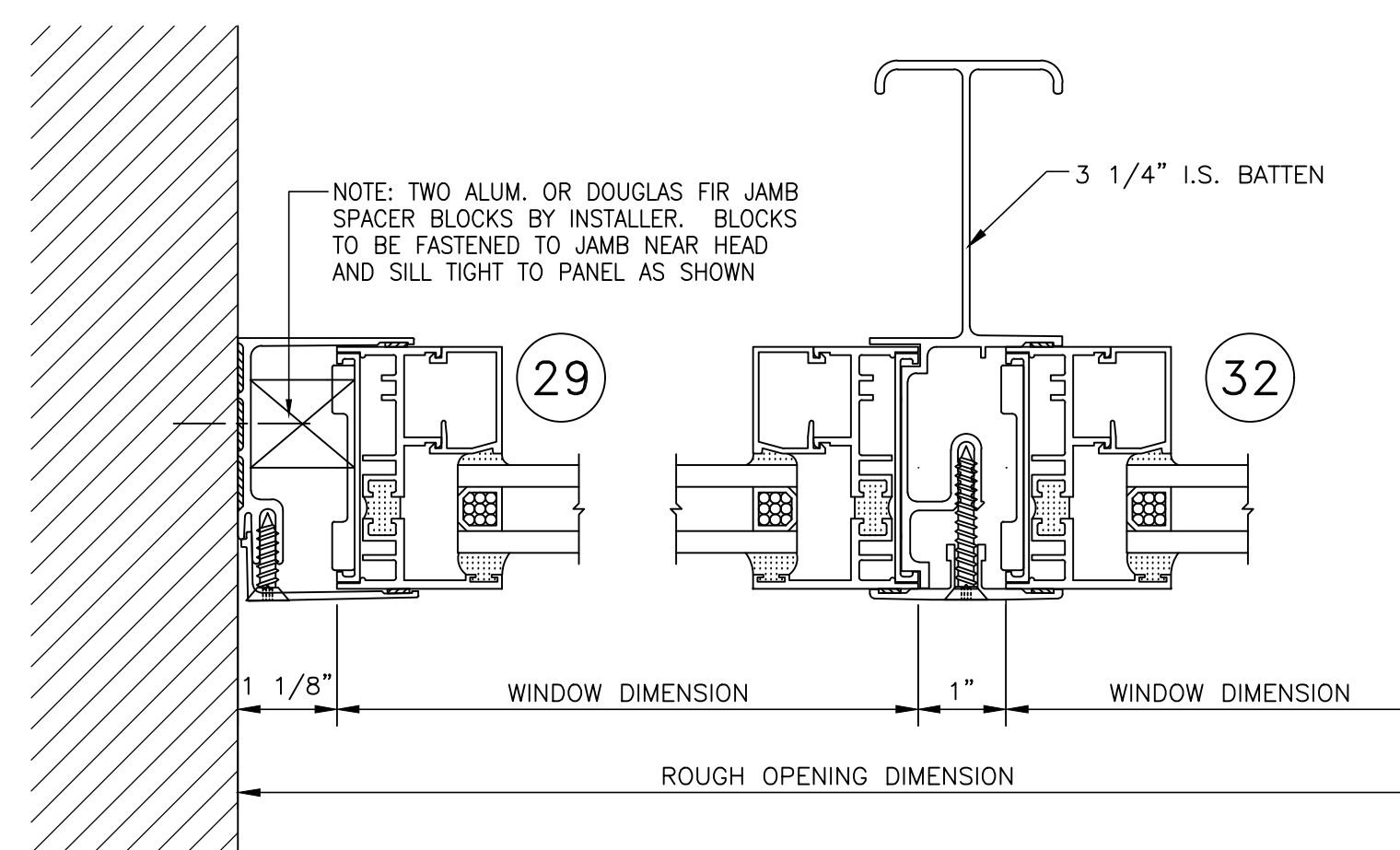
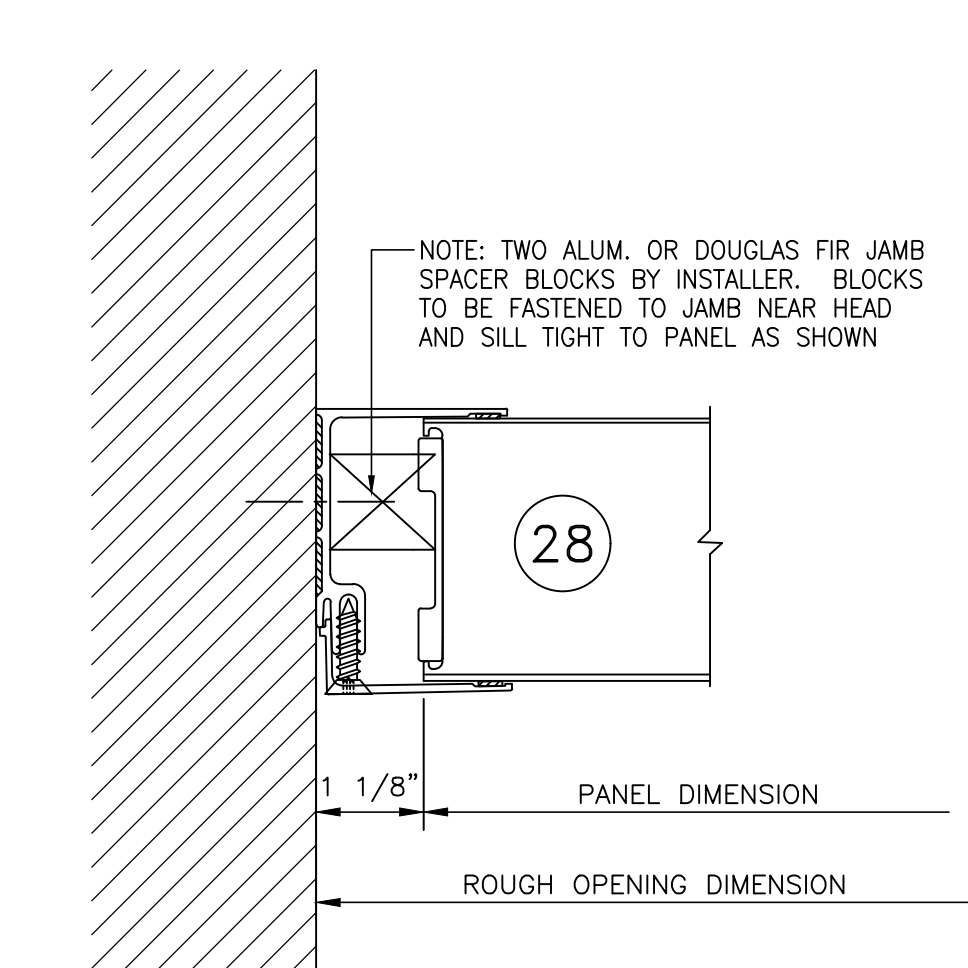
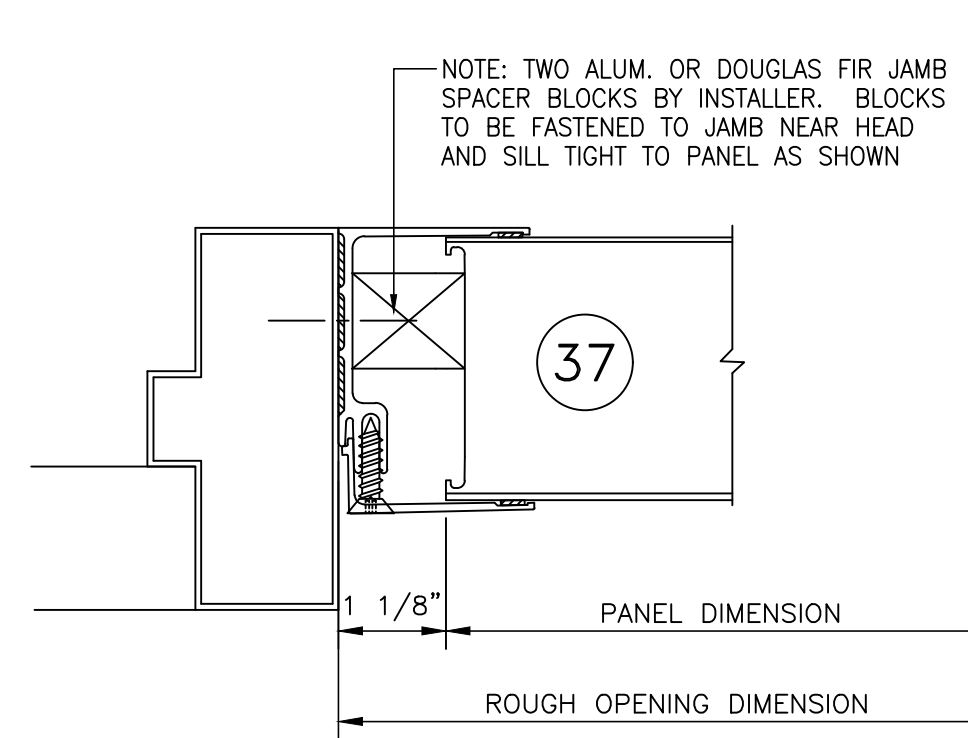
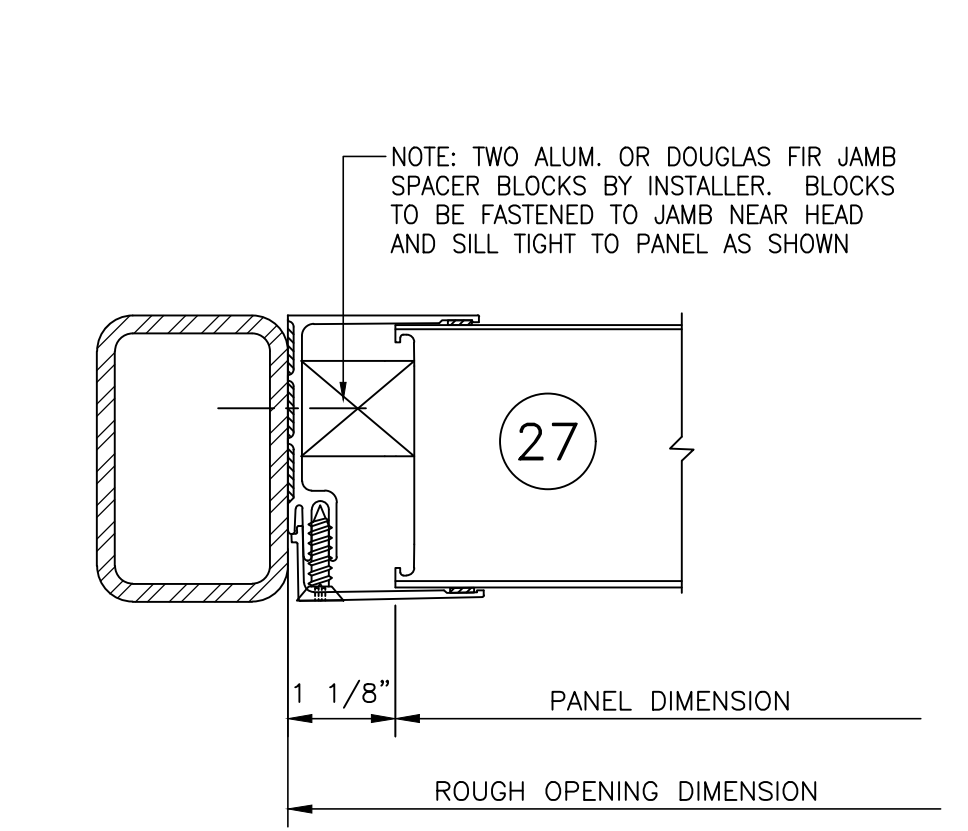
ARCHITECT APPROVAL	
DATE:	
CUSTOMER APPROVAL	
DATE:	
ORDER NO. 025915	REL. NO.
DRAWN BY: DATE: DT 10/23/02	PROJ.CRD.
CHECKED BY: DATE: PAD 10/30/02	NG
DRAWING NO. K02-1433	SHEET NO. B 9 OF

K02143369

**PROJECT:** VENTURA COMM. COLLEGE LEARNING RESOURCE CTR  
**LOCATION:** VENTURA, CALIFORNIA  
**ARCHITECT:** KRUEGER BENSON ZIEMER  
**KALWALL CORPORATION**  
 MANCHESTER, N.H.



NOTE  
KALWALL RECOMMENDS SLOPING SILL/CURB  
CONDITION TO PROTECT AGAINST WATER  
PENETRATION FOR SETBACK GREATER THAN 1"



4	1/9/04	RELEASE #4	MES	GAW
3	10/8/03	RELEASE #3	PJC	NCD
REV.	DATE	DESCRIPTION	DRAWN BY	CHECKED BY
DRAWINGS ISSUED BY KALWALL® CORP. ILLUSTRATE THE COMPLETE SCOPE OF WORK TO BE PERFORMED BY KALWALL. IF SCOPE OF WORK DOES NOT INCLUDE INSTALLATION, JOINT SYSTEMS AND METHODS FOR JOINING KALWALL PANEL TO KALWALL PANEL AND KALWALL PANEL TO BUILDING ARE SUGGESTED SYSTEMS AND METHODS ONLY AND WHERE AS WE BELIEVE THEY ARE ENTIRELY SATISFACTORY, THEY ARE SUGGESTED ONLY AND NO WARRANTY IS EXPRESSED OR IMPLIED. APPROVAL OF THESE DRAWINGS ACKNOWLEDGES THESE FACTS AND AUTHORIZES MANUFACTURE OF ALL ITEMS AS SHOWN AND DIMENSIONED.			ARCHITECT APPROVAL	
PROJECT: VENTURA COMM. COLLEGE LEARNING RESOURCE CTR			DATE:	
LOCATION: VENTURA, CALIFORNIA			CUSTOMER APPROVAL	
ARCHITECT: KRUEGER BENSON ZIEMER			DATE:	
ORDER NO. 025915			REL. NO.	
DRAWN BY: DATE: DT 10/24/02				
CHECKED BY: DATE: PAD 10/30/02			PROJ. CRD.	
DRAWING NO. K02-1433			SHEET NO. B 10	OF

K021433b10

