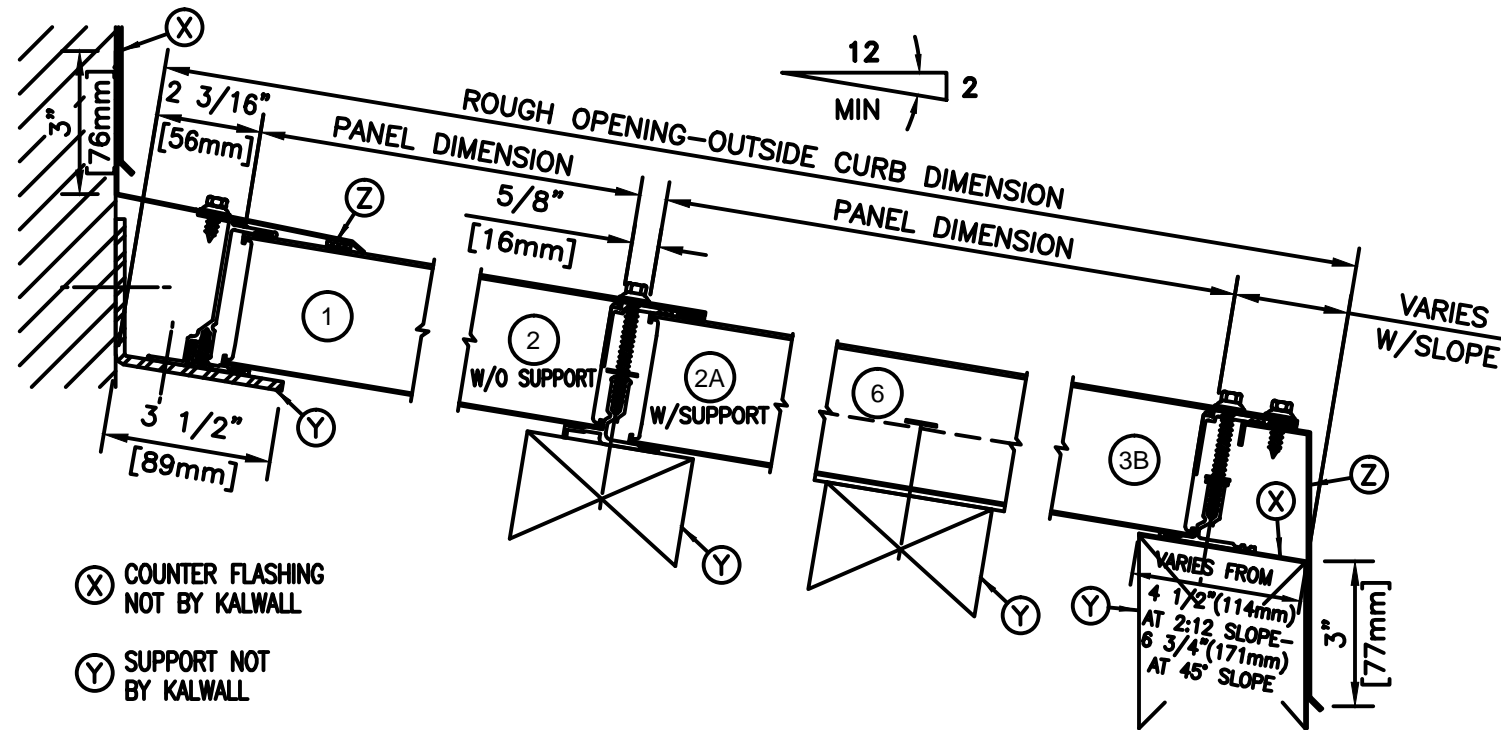
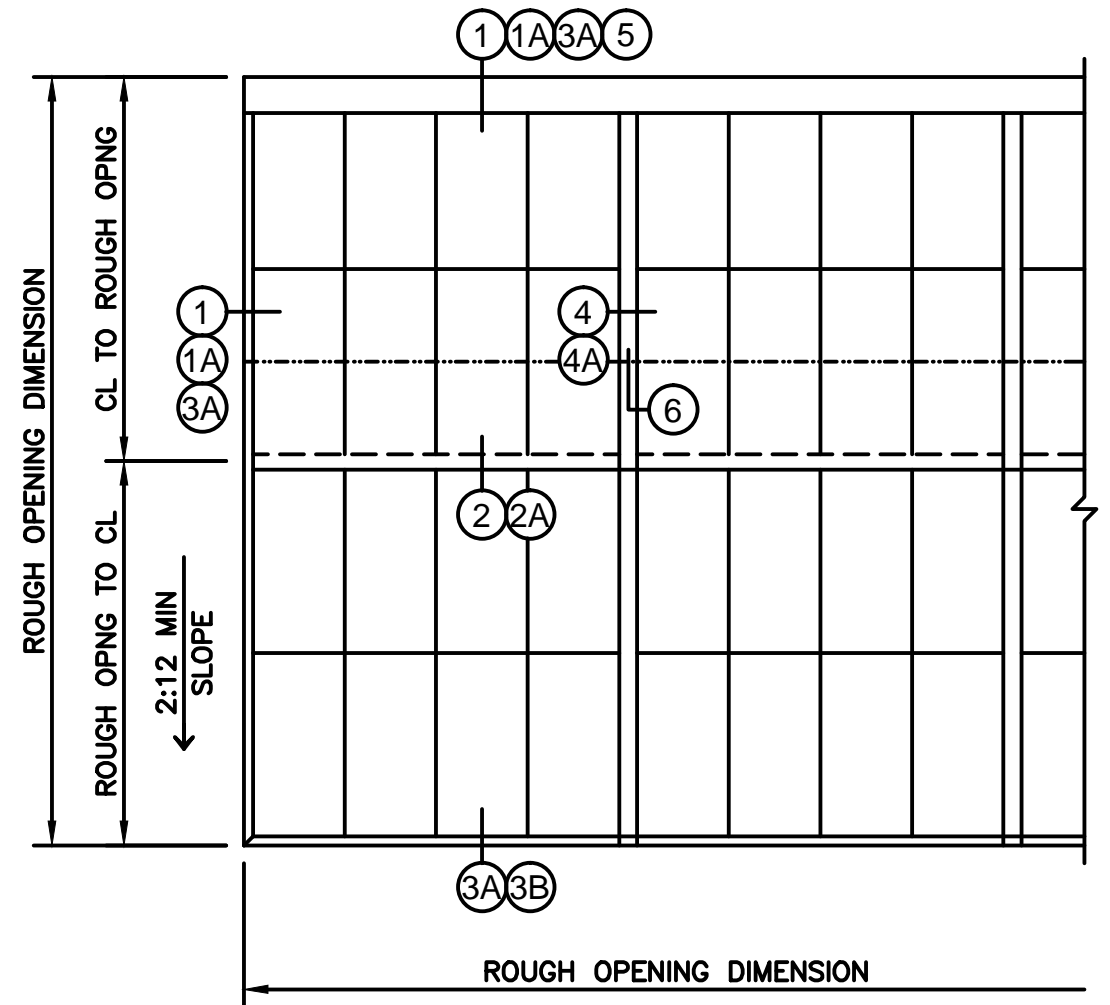


SUPPORTED ROOFS

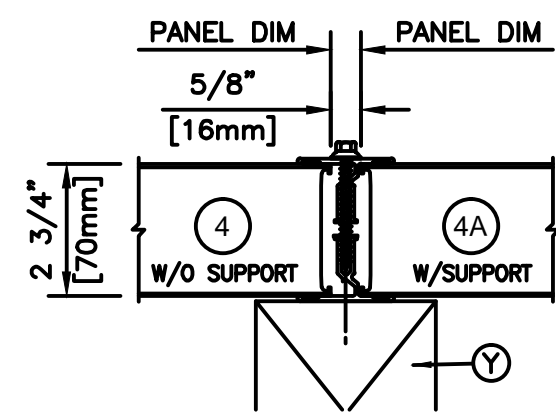
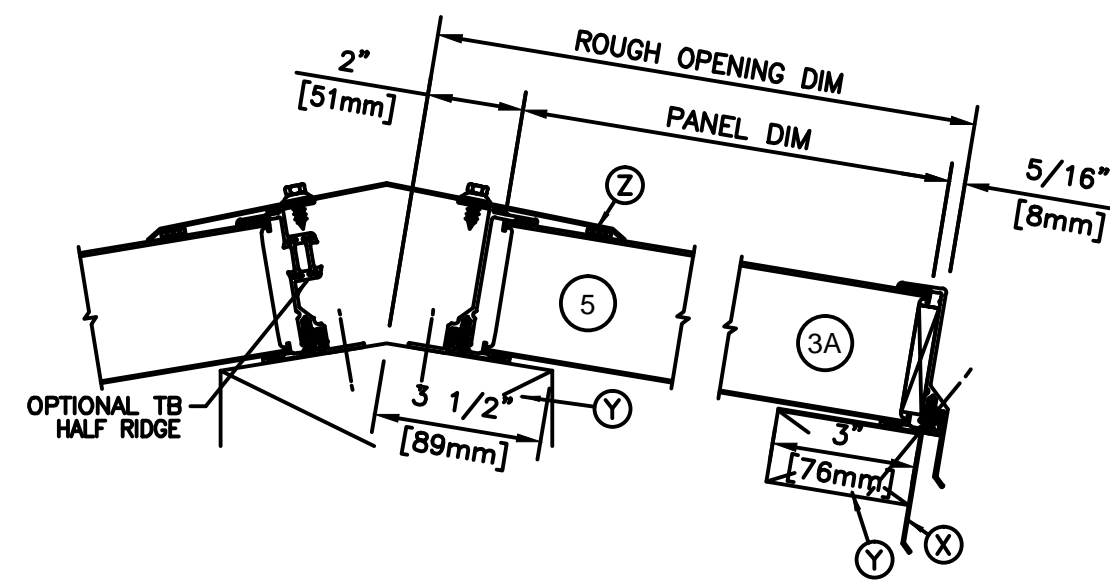
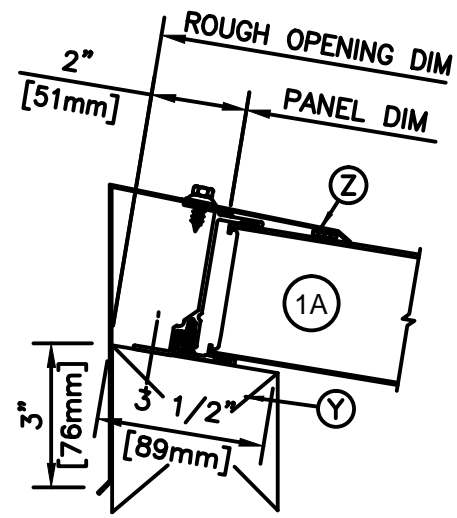


- (X) COUNTER FLASHING NOT BY KALWALL
- (Y) SUPPORT NOT BY KALWALL
- (Z) STANDARD FLASHING BY KALWALL

VARIES FROM
 4 1/2" (114mm)
 AT 2:12 SLOPE—
 6 3/4" (171mm)
 AT 45° SLOPE



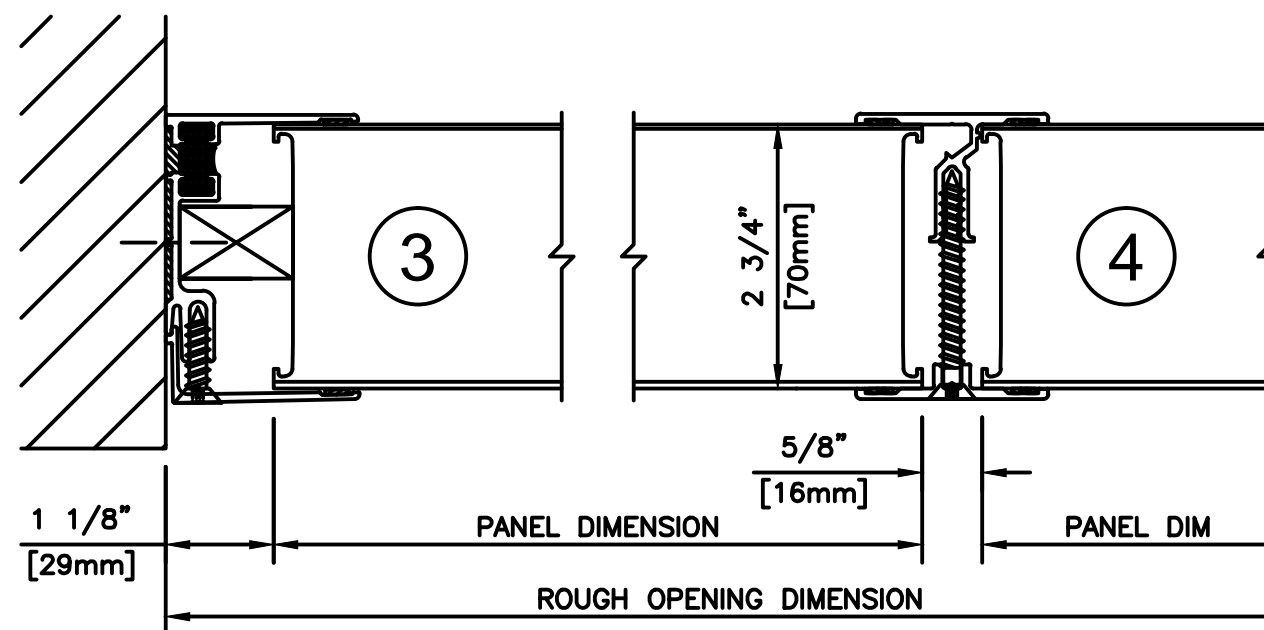
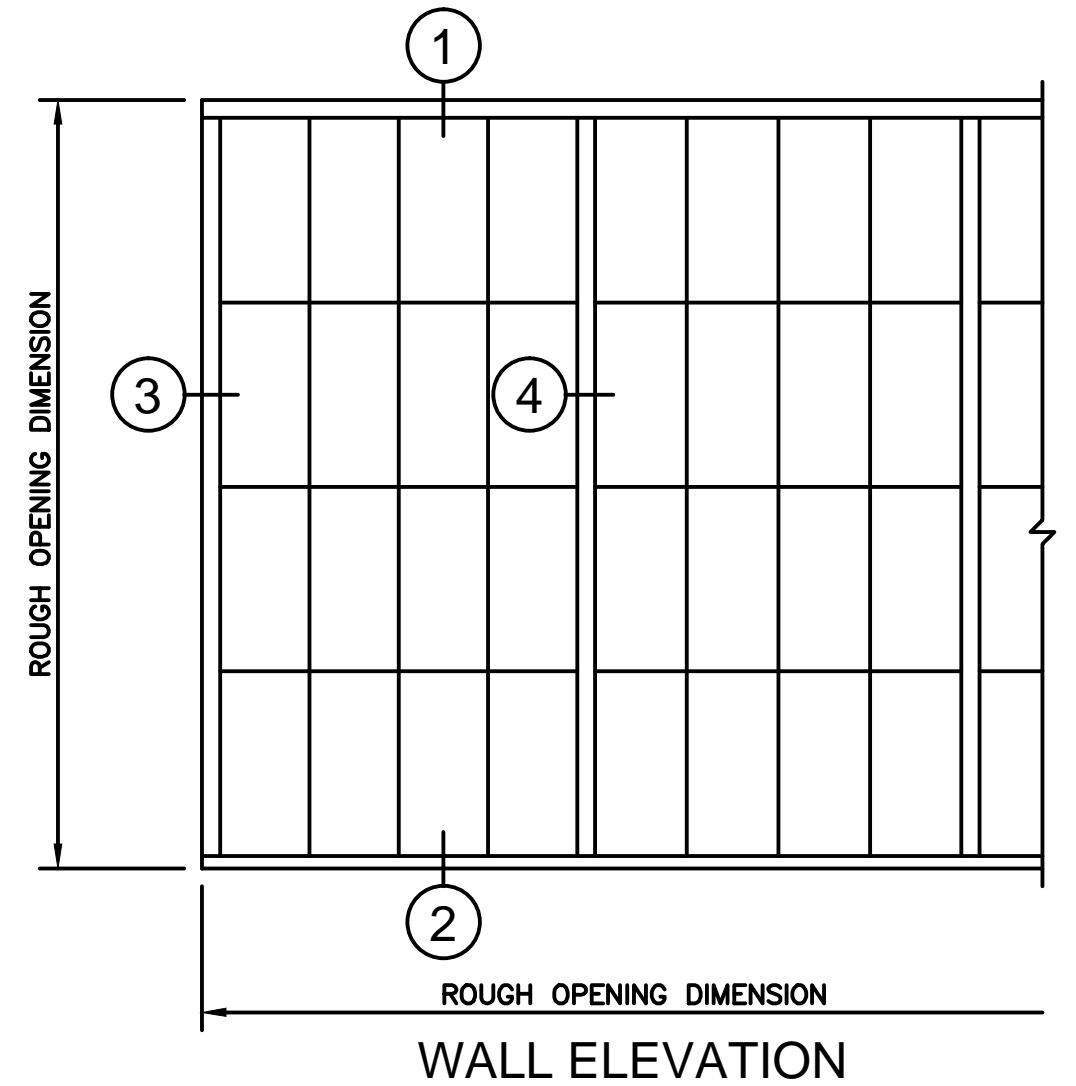
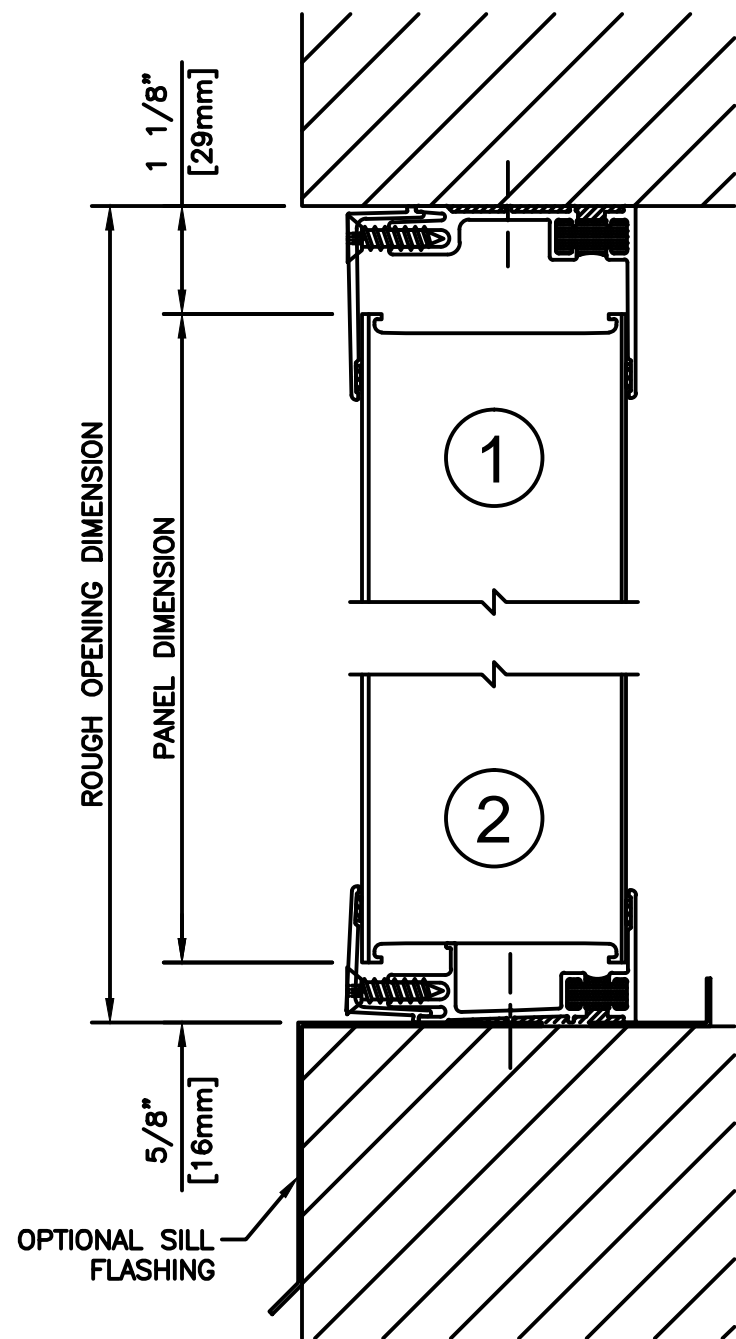
ROOF PLAN



KALWALL[®]

high performance translucent building systems

THERMAL BREAK SYSTEM



KALWALL[®]
high performance translucent building systems