

FAN COIL SCHEDULE

TAG	MAKE & MODEL	ELECTRICAL DATA				WEIGHT (LBS)	EAT DB/WB (DEG. F)	LAT DB/WB (DEG. F)	CHILLED WATER COIL (BOTH COILS)			FLUID FLOW (GPM)	FLUID PD (FT.)	BELIMO VALVE	ACCESSORIES
		CFM	WATTS	MOCp	V/PHZ				TOTAL CAPACITY (BTUH)	SENSIBLE CAPACITY (BTUH)	EWTLWT (DEG.F)				
CC-1 A&B	MULTIAQUA MHCFC-08-1	579	130	15	208/1/60	71.7	80/67	57/55.8	24,353	17,000	44/57	6.5	4.6	B-218B	CONDENSATE PUMP, HARTEL MODEL HAR-15 OR EQUAL 208 VOLT 1 WATT. POWER FROM UNIT. INSTALL SAFETY SWITCH

MECHANICAL NOTES

1. SCOPE OF WORK: WORK INCLUDES THE FOLLOWING: FURNISH AND INSTALL ALL EQUIPMENT AND CONTROLS SHOWN ON THE MECHANICAL DRAWINGS AND DESCRIBED IN THESE NOTES, THE BOOK SPECIFICATIONS AND THE CONTRACT DOCUMENTS. WORK INCLUDES BUT IS NOT LIMITED TO: PIPING, AND CONTROLS. INSTALLATION OF A FAN COIL AND CONTROL SYSTEMS AS DESCRIBED IN THE CONTRACT DOCUMENTS. INCLUDED ARE ALL DEVICES NEEDED TO MAKE COMPLETE AND FUNCTIONAL SPACE CONDITIONING SYSTEMS AND CONTROLS. CONTRACTOR SHALL FURNISH AND INSTALL, MAKE OPERABLE, AND TEST ALL SYSTEMS AND MECHANICAL EQUIPMENT SHOWN ON THE PLANS AND DESCRIBED IN THE SPECIFICATIONS AND CONTRACT DOCUMENTS. IN CONNECTION THEREWITH, CONTRACTOR SHALL ALSO FURNISH AND INSTALL ALL NECESSARY DEVICES, HARDWARE, AND SYSTEMS REQUIRED TO MAKE SAID EQUIPMENT PROPERLY AND SAFELY OPERABLE, INCLUDING BUT NOT LIMITED TO, MOUNTING HARDWARE, INSULATION, FILTERS, DUCT SYSTEMS, AND CONTROL SYSTEMS.

2. DIMENSIONS: ALL DIMENSIONS SHALL HAVE PREFERENCE OVER SCALE. ALL DIMENSIONS SHALL BE VERIFIED IN THE FIELD. ENGINEER SHALL BE NOTIFIED OF ANY DISCREPANCIES BETWEEN ARCHITECTURAL AND ENGINEERING DRAWINGS BEFORE PROCEEDING WITH WORK. IN NO CASE SHALL WORKING DIMENSIONS BE SCALED FROM PLANS, SECTIONS, OR DETAILS ON WORKING DRAWINGS. ALL SIZES OF EQUIPMENT AND MATERIALS SHALL BE VERIFIED WITH EQUIPMENT MANUFACTURER.

3. CODES AND STANDARDS: ALL WORK SHALL COMPLY WITH ALL APPLICABLE REQUIREMENTS OF THE OCCUPATIONAL SAFETY AND HEALTH ACT (OSHA), 2022 CALIFORNIA BUILDING CODE, THE 2022 CALIFORNIA MECHANICAL CODE, THE 2022 CALIFORNIA PLUMBING CODE, THE 2022 CALIFORNIA ELECTRIC CODE, THE STATE OF CALIFORNIA, EQUIPMENT MANUFACTURER'S RECOMMENDED PROCEDURES, AND STANDARD CONSTRUCTION PRACTICES. NOTE: WHERE TWO OR MORE CODES CONFLICT, THE MOST RESTRICTIVE SHALL APPLY. NOTHING IN THESE PLANS AND SPECIFICATIONS SHALL BE CONSTRUED TO PERMIT WORK NOT CONFORMING TO APPLICABLE CODES.

4. SUBMITTALS REQUIRED: PRIOR TO ORDERING EQUIPMENT AND MATERIALS, CONTRACTOR SHALL FURNISH TO ENGINEER / OWNER SUBMITTALS AND SHOP DRAWINGS OF ALL EQUIPMENT AND MATERIALS PROPOSED FOR USE IN THIS PROJECT. ORDERING OF EQUIPMENT AND MATERIALS SHALL ONLY PROCEED AFTER SATISFACTORY REVIEW OF ALL SUBMITTALS BY CONTRACTOR / ENGINEER / OWNER. COPIES OF ALL OWNER'S MANUALS, WARRANTIES AND OTHER WRITTEN INFORMATION REGARDING SYSTEMS SHALL BE PRESENTED TO OWNER PRIOR TO THE COMPLETION OF THE PROJECT.

5. CONSTRUCTION OBSERVATION: IN ADDITION TO THE REQUIREMENT FOR OBTAINING INSPECTIONS BY THE LOCAL JURISDICTION, CONTRACTOR SHALL NOTIFY ENGINEER AT APPROPRIATE TIMES DURING THE CONSTRUCTION PROCESS SO THAT ENGINEER CAN VISIT SITE TO BECOME GENERALLY FAMILIAR WITH THE PROGRESS AND QUALITY OF CONTRACTOR'S WORK AND TO DETERMINE IF THE WORK IS PROCEEDING IN GENERAL ACCORDANCE WITH THE CONTRACT DOCUMENTS.

6. UNIT LOCATIONS: EQUIPMENT AND SYSTEM LOCATIONS SHOWN ARE APPROXIMATE ONLY. CONTRACTOR SHALL VERIFY LOCATIONS OF ALL STRUCTURAL MEMBERS AND EXISTING CONDITIONS IN THE FIELD, AND LOCATE UNITS AND DUCTWORK TO AVOID INTERFERENCE. ANY SIGNIFICANT DEVIATIONS FROM THE PLANS SHALL BE CALLED TO THE ATTENTION OF THE ENGINEER. ALLOW CLEARANCE FOR DUCTWORK AND PIPING. ALL CLEARANCES REQUIRED BY UNIT MANUFACTURER SHALL BE MAINTAINED. ENTIRE INSTALLATION SHALL BE IN ACCORDANCE WITH CODES AND THE RECOMMENDED INSTALLATION PROCEDURES PUBLISHED BY THE MANUFACTURER.

8. PIPING: CONTRACTOR SHALL INSTALL NEW DUCTWORK AND PIPING IN THE APPROXIMATE LOCATIONS SHOWN ON THE DRAWINGS. ALL DUCTWORK & PIPING SHALL BE SECURELY ANCHORED TO THE BUILDING IN AN APPROVED MANNER THAT WILL RENDER IT FREE FROM VIBRATION AND LATERAL MOVEMENT. CONTRACTOR SHALL PROVIDE WITHOUT COST TO THE OWNER ALL REQUIRED TRANSITIONS AND OFFSETS TO AVOID CONFLICTS WITH STRUCTURE AND OTHER TRADES.

9. BALANCING: FOLLOWING INSTALLATION, CONTRACTOR SHALL START UP AND BALANCE ALL HVAC SYSTEMS TO CONFORM TO WATER VOLUMES INDICATED ON PLANS. COPIES OF BALANCING RECORDS SHALL BE FURNISHED TO THE PROJECT ENGINEER.

10. CLEANUP: EVERY DAY, AND AFTER ALL WORK HAS BEEN COMPLETED, CONTRACTOR SHALL CLEAN ENTIRE JOB-SITE OF ALL DEBRIS ASSOCIATED WITH MECHANICAL SYSTEMS. EXPOSED PARTS WHICH ARE TO BE PAINTED SHALL BE THOROUGHLY CLEANED READY FOR PAINTING.

11. COORDINATION DURING CONSTRUCTION: THE CONTRACTOR SHALL COORDINATE ANY NECESSARY CHANGES IN WORK SCHEDULING WITH THE COLLEGE TO MINIMIZE THE DISRUPTION. THE CONTRACTOR SHALL COORDINATE WITH OTHER TRADES. THE CONTRACTOR SHALL REPAIR ANY DAMAGE CAUSED BY HIS WORK TO BUILDING(S) AND EQUIPMENT AT NO ADDITIONAL COST TO THE OWNER.

12. CORRECTION OF WORK: THE CONTRACTOR SHALL PROMPTLY CORRECT ALL WORK THE OWNER FINDS DEFECTIVE OR FAILING TO CONFORM TO THE CONTRACT DOCUMENTS. THE CONTRACTOR SHALL BEAR ALL COSTS REQUIRED BY THE CONTRACT DOCUMENTS, IF ANY OF THE WORK IS FOUND TO BE DEFECTIVE OR NOT IN ACCORDANCE WITH THE CONTRACT DOCUMENTS. THE CONTRACTOR SHALL CORRECT IT PROMPTLY AFTER RECEIPT OF A WRITTEN NOTICE FROM THE OWNER TO DO SO.

13. AS-BUILT DRAWINGS SHALL BE GIVEN TO THE OWNER PRIOR TO ACCEPTANCE OF THE PROJECT. AS-BUILTS SHALL BE ON PRINTED SHEETS AND ON MAGNETIC MEDIA.

14. CHILLED WATER WATER PIPING SHALL BE U.S. MANUFACTURED TYPE 'L' COPPER WITH WROT SOLDER TYPE FITTINGS. ALL PIPE SHALL BE COVERED WITH 1" INSULATION WITH ALL SERVICE JACKET. DRAIN (E) SYSTEM AS NEEDED FOR PIPE CONNECTIONS. RENEW CHEMICAL TREATMENT.

15. CONDENSATE DRAINS SHALL TERMINATE AT SINK TAILPIECE. DRAINS SHALL BE U.S. MANUFACTURED TYPE 'L' COPPER WITH WROT COPPER FITTINGS AND SOLDERED JOINTS. INSTALL CONDENSATE PUMP AT EACH CASSETTE. INSULATE PIPE WITH 1/2"

16. AUTOMATED LOGIC CONTROLS ARE THE DISTRICT STANDARD. INTEGRATE NEW CONTROLS WITH EXISTING PROGRAMMING INCLUDING UPDATED GRAPHICS. PROVIDE NEW CONTROLLERS, ROUTER, SENSORS, WIRING, CONDUIT, PROGRAMMING FOR A COMPLETE INTEGRATED CONTROL SYSTEM.

GENERAL NOTES

1. CUTTING, BORING SAWCUTTING OR DRILLING THROUGH THE NEW OR EXISTING STRUCTURAL ELEMENTS TO BE DONE ONLY WHEN SO DETAILED ON THE DRAWINGS OR ACCEPTED BY THE MECHANICAL AND STRUCTURAL ENGINEER WITH THE APPROVAL OF DSA REPRESENTATIVE.

2. ALL WELDING SHALL BE SPECIALLY INSPECTED BY AN AWS-CWI QUALIFIED INSPECTOR APPROVED BY DSA/ORS.

3. RENEW ANY EXISTING STEEL FIREPROOFING AFFECT BY THIS CONSTRUCTION.

4. FIRE CAULK RATED ALL PENETRATIONS OF RATED ELEMENTS (EXCEPT AT FIRE SMOKE DAMPERS)

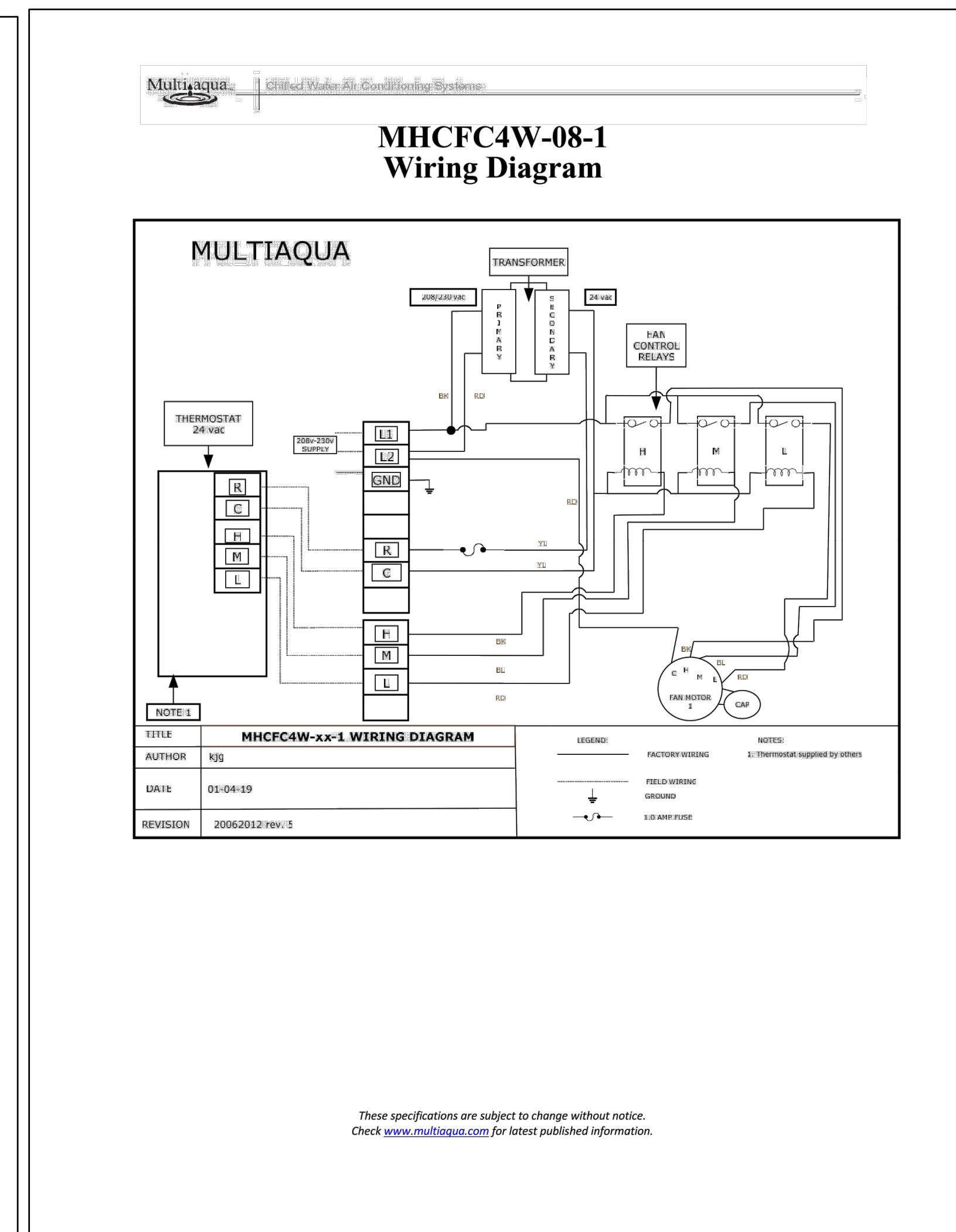
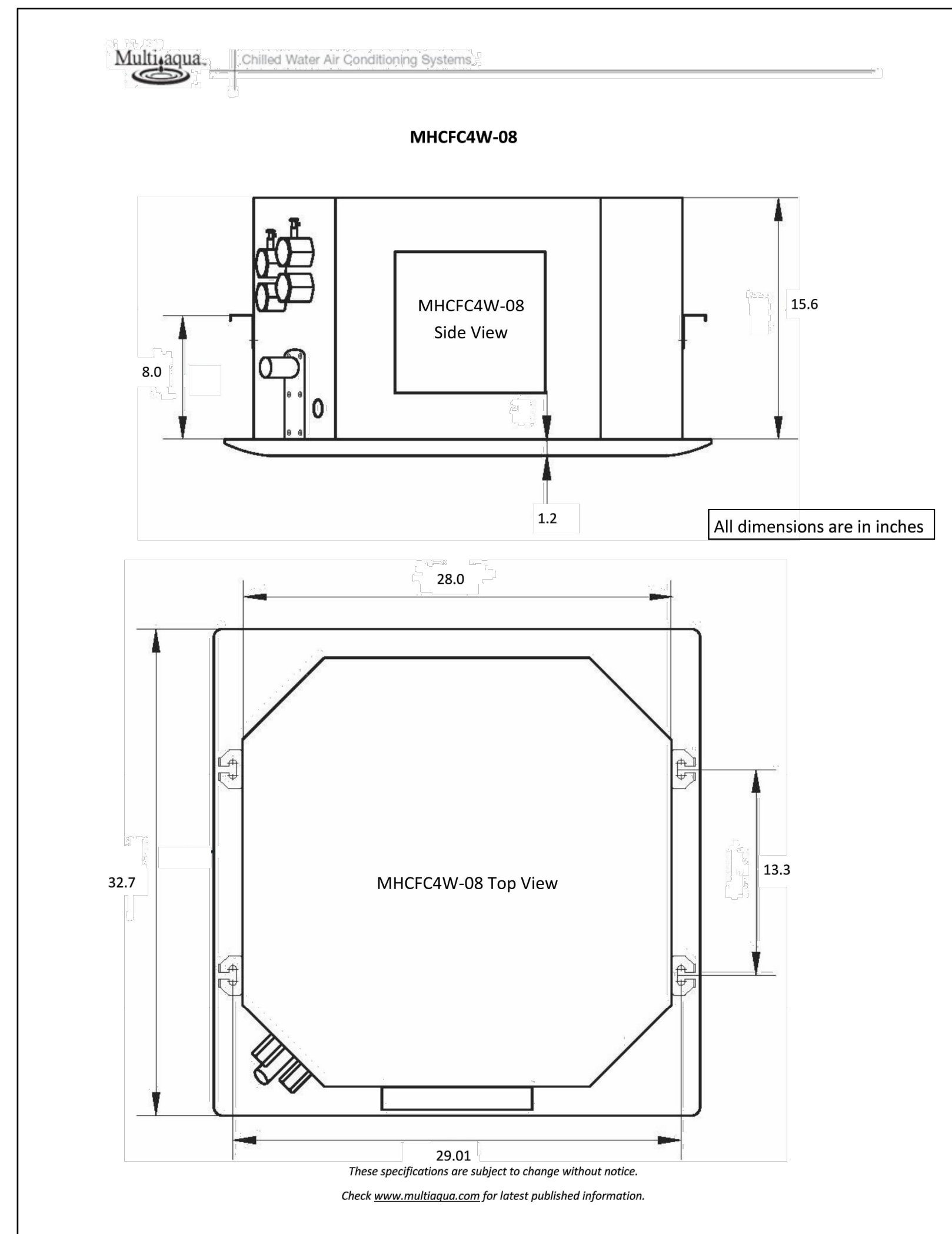
CONTROL SCOPE

CONTROLS
AUTOMATED LOGIC CONTROLLER
CONNECT TO (E) ALC NETWORK

OUTPUT
FAN ON/OFF (DO)
CHILLED WATER VALVE POSITION (ON/OFF FLOATING)

INPUT
THERMOSTAT (AI)
CURRENT SENSOR (TWO)

INSTALL NEW ALC CONTROLLER IN ENCLOSURE. INSTALL NEW SENSORS AND CHILLED WATER VALVES WITH ALC CONTROL.



1 M1.0 CEILING CASSETTE

REV.	DATE

AE Group
Mechanical Engineers
838 East Front Street
Ventura, California 93001-2925
(805) 653-1722
hugh@aegroupme.com

MOORPARK COLLEGE
7075 CAMPUS ROAD, MOORPARK, CALIFORNIA 93021
VENTURA COUNTY COMMUNITY COLLEGE DISTRICT

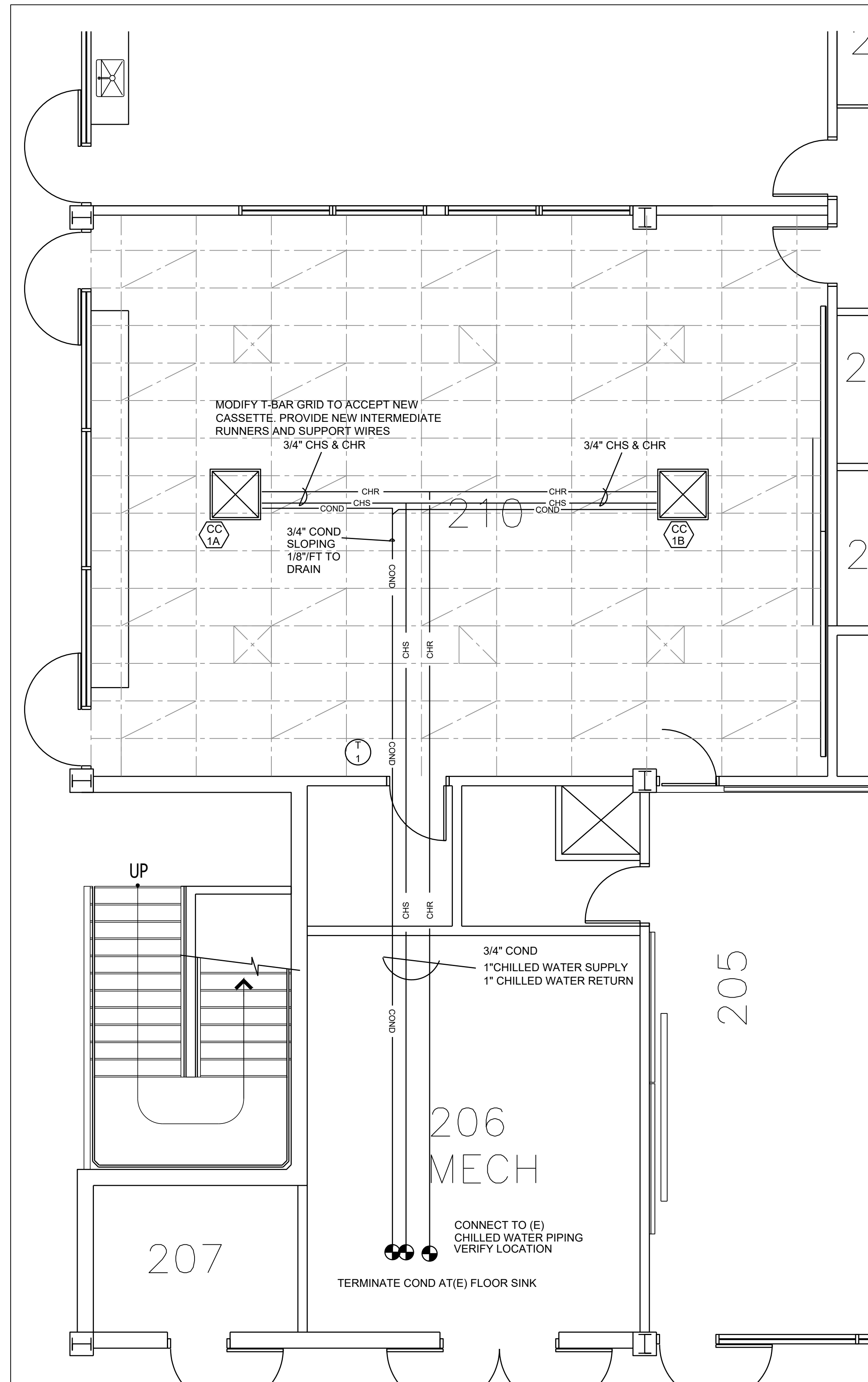
DEPARTMENT OF
MAINTENANCE & OPERATIONS
7075 CAMPUS RD.
MOORPARK, CA. 93021
PHONE: (805) 378-1464 FAX: (805) 378-1593

SCALE:
AS SHOWN
DATE:
02-18-26
BLDG. NO.

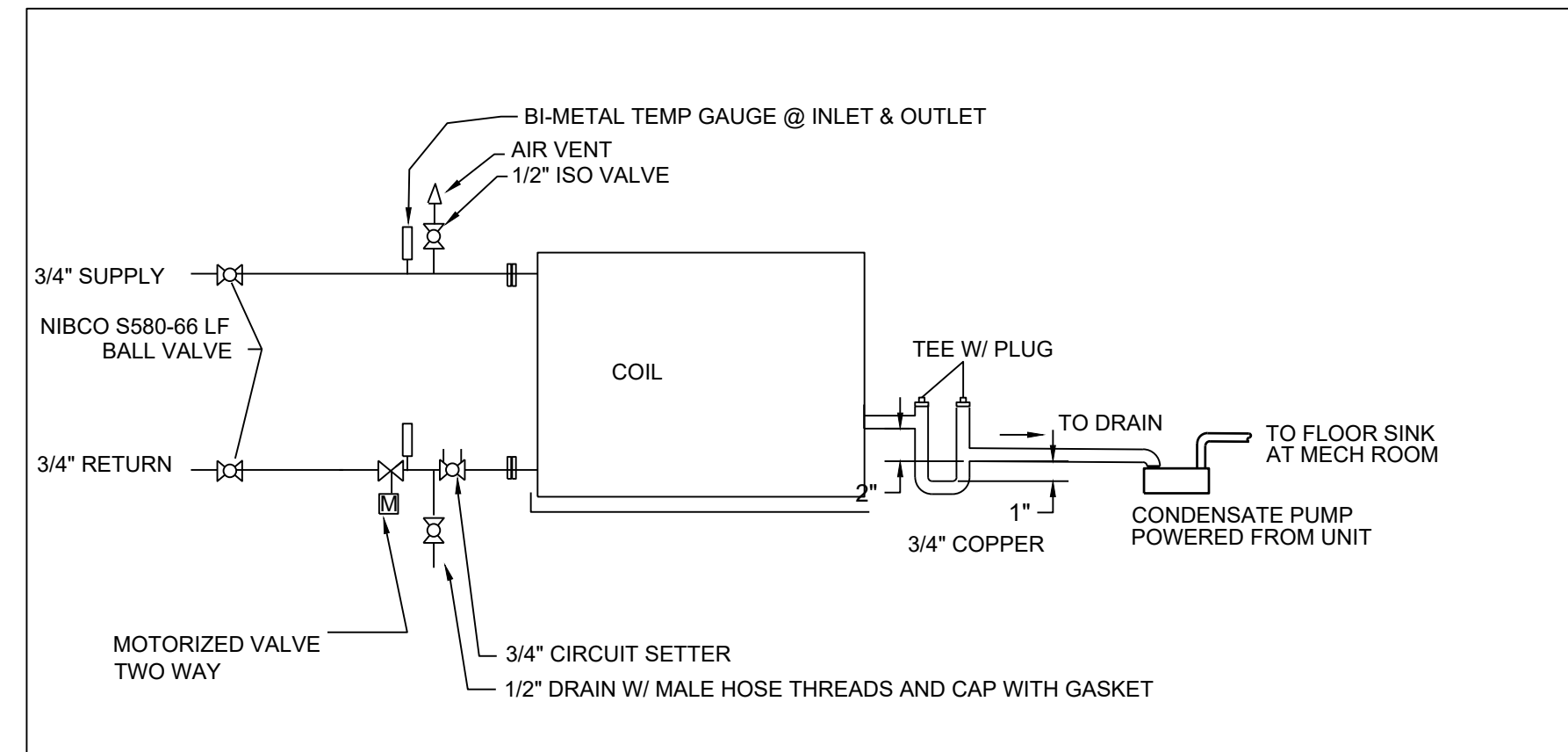
TECHNOLOGY BUILDING
TB-210 CNSE/ACCOUNTING COMPUTER
CLASSROOM HVAC SYSTEM
NOTES AND SCHEDULE

SHEET NO.
M1
1 OF 4

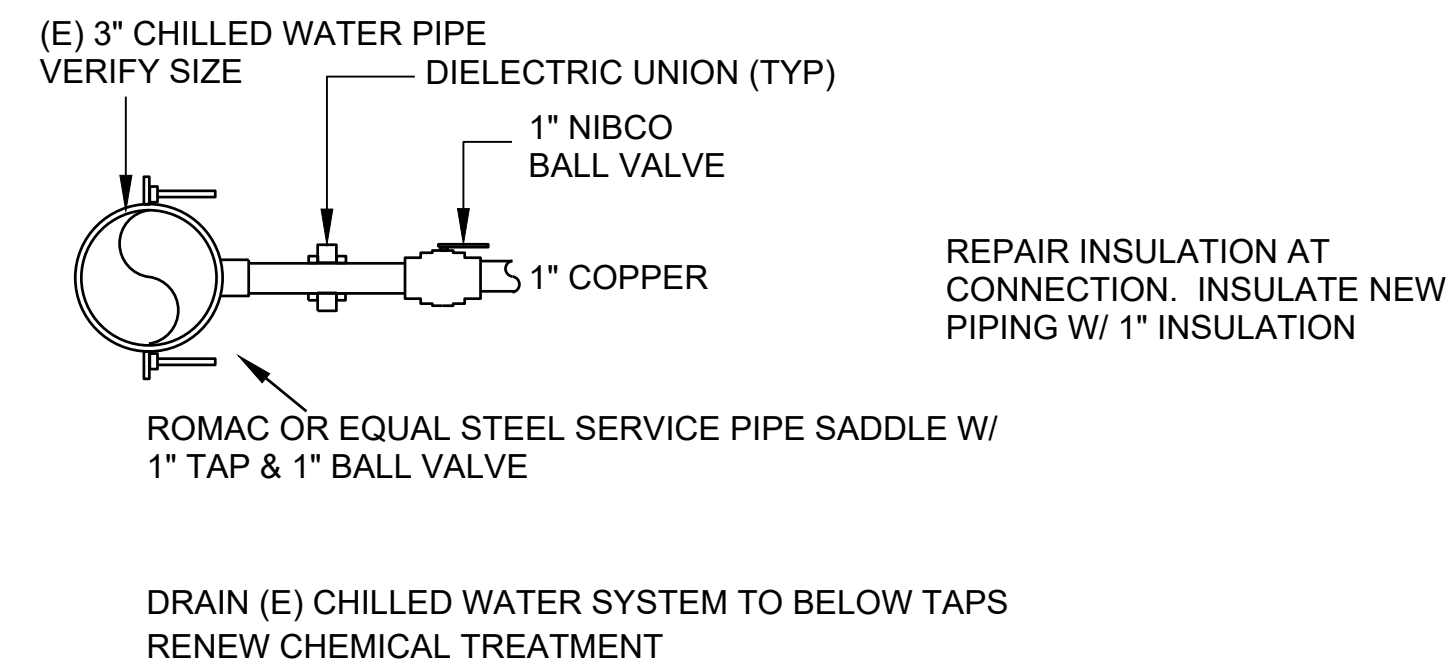




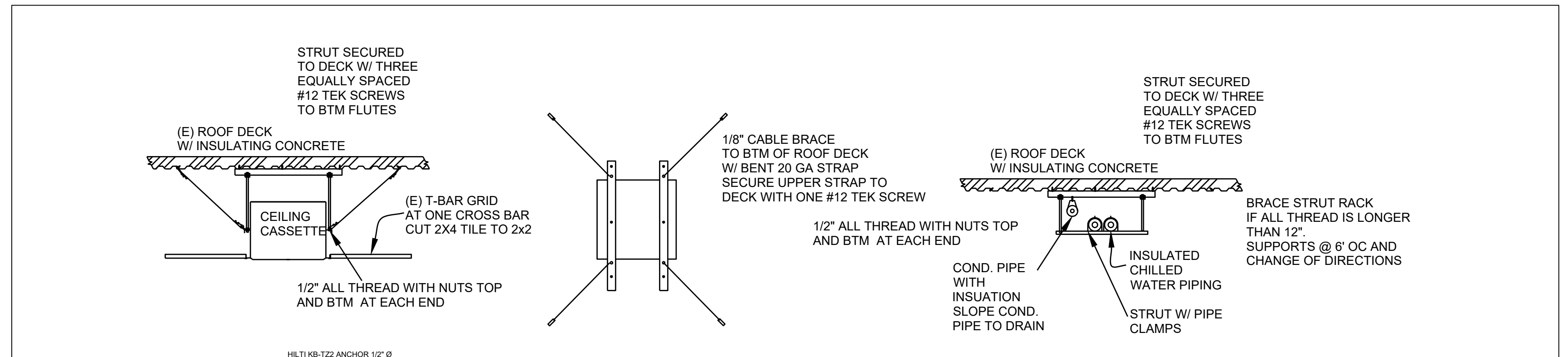
1
M2
MECHANICAL FLOOR PLAN
SCALE: 1/4" = 1'0"



2
M2
FAN COIL PIPING
NO SCALE



3
M2
CONNECT TO (E) PIPING
NO SCALE



4
M2
SUPPORT DETAIL
NO SCALE

REV.	DATE

AE Group
Mechanical Engineers
838 East Front Street
Ventura, California 93001-2925
(805) 653-1722
hugh@aeengineers.com

MOORPARK COLLEGE
7075 CAMPUS ROAD, MOORPARK, CALIFORNIA 93021
VENTURA COUNTY COMMUNITY COLLEGE DISTRICT

DEPARTMENT OF
MAINTENANCE & OPERATIONS
7075 CAMPUS RD.
MOORPARK, CA. 93021
PHONE: (805) 378-1454 FAX: (805) 378-1593

SCALE: AS SHOWN
DATE: 02-18-26
BLDG. NO.:
TECHNOLOGY BUILDING
TB-210 CNS/ACCOUNTING COMPUTER
CLASSROOM HVAC SYSTEM
MECHANICAL FLOOR PLAN
AND DETAILS

SHEET NO.
M2.0
1 OF 4

